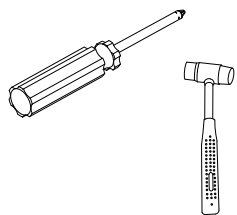
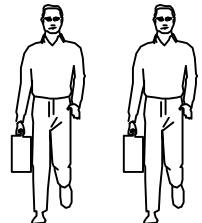


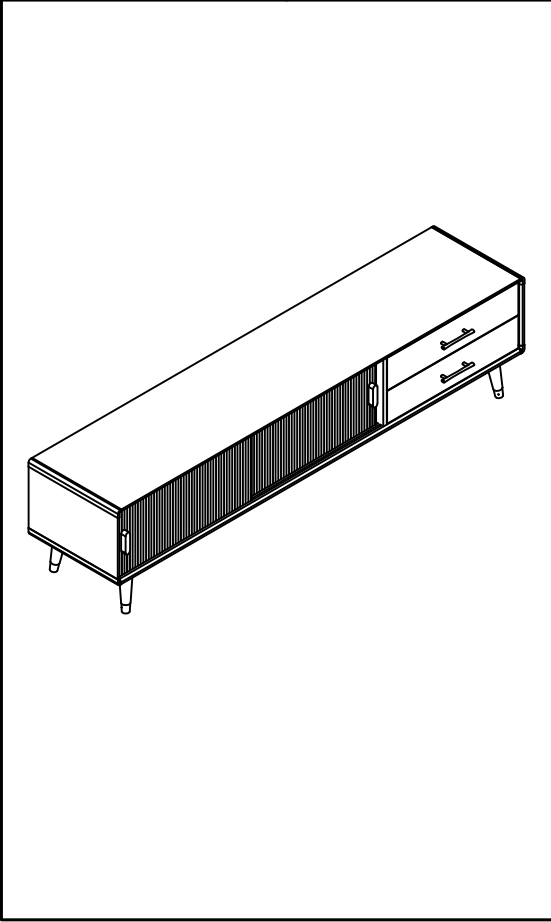
LINSY 林氏家居

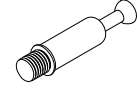

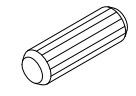
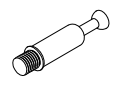


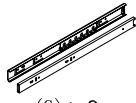
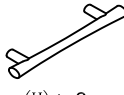
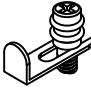
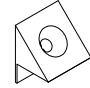
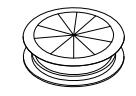
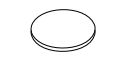
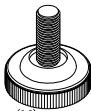
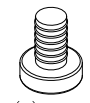
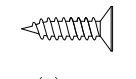
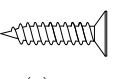
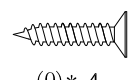
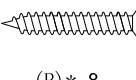

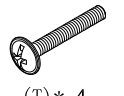
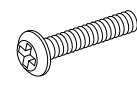
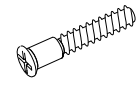
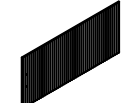
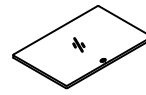
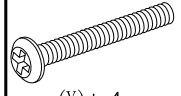

五金表/Hardware list

部件表/Parts List

安装示意图/Assembly Instruction

产品名称 Model NO.	JU3M-A(1.5m)
产品规格 Specification	1526*417*448 mm
安装工具 Tool	安装人数 Installer
	

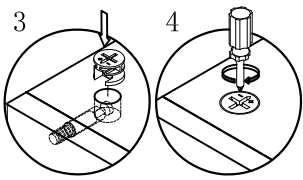
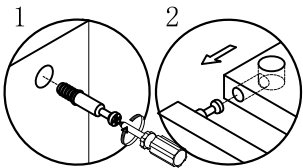


 (A)* 29 二合一螺杆(35mm) 2-in-1-screw	 (B)* 29 大三合一锁饼(15mm) Three-in-one large lock	 (C)* 29 木榫Ø8x30mm wood tenon	 (D)* 8 小二合一杆7*28 small two-in-one rod
 (E)* 8 小三合一锁饼(13mm) small three-in-one lock	 (F)* 8 塑料螺母 Plastic Nut	 (G)* 2 三节滚珠导轨-12" three-section ball rail	 (H)* 2 拉手 Handle
 (I)* 4 玻璃层板托杆/叉 Glass laminate holder	 (J)* 8 背板扣 Back Plate Buckle-White	 (K)* 1 穿线孔盖-Ø1 Threading cover	 (L)* 4 透明防撞垫片Ø10x1.5 anti-collision gasket
 (M)* 2 调节五金脚-M8x30 Adjusting foot	 (N)* 4 透明防滑PVC胶塞 PVC rubber plug	 (O)* 25 自攻螺丝M3.5x12mm Self-tapping screw	 (P)* 8 自攻螺丝M3.5x16mm Self-tapping screw
 (Q)* 4 自攻螺丝M4x20mm Self-tapping screw	 (R)* 8 自攻螺丝M4x40mm Self-tapping screw	 (S)* 4 拉手螺丝-M4x10mm pulling screw	 (T)* 4 拉手螺丝-M4x20mm pulling screw
 (U)* 2 斜边十字螺杆-M8x30 bevel cross screw	 (V)* 2 过山丝-M7x38mm Self-tapping screw galvanized	 (W)* 2 门板玻璃 Door glass	 (X)* 1 层板玻璃 Laminated glass
 (Y)* 4 斜边十字螺杆-M8x50 bevel cross screw	 (Z)* 4 锤母-M8 Ø12x15mm Hammer nut		

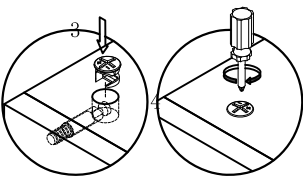
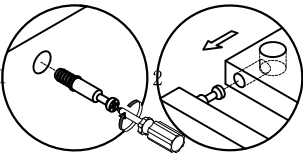
编号NO.	名称Name	规格 (mm) Specification	数量QTY	材质Material
①	面板 Top panel	1494*398*15	1	三胺板Melamine
②	底板 Bottom board	1494*328*15	1	三胺板Melamine
③	底板加条 Bottom plate banding	1494*70*16	1	实木Wood
④	侧板 Side board	225*398*15	2	三胺板Melamine
⑤	左侧柱 L side pillar	398*16*32	2	实木Wood
⑥	右侧柱 Side column(R)	398*16*32	2	实木Wood
⑦	内侧板 Inner side plate	258*354*15	2	三胺板Melamine
⑧	左中侧板 Middle side board(L)	258*334*15	1	三胺板Melamine
⑨	右中侧板 Middle side board(R)	258*368*15	1	三胺板Melamine
⑩	背板 Back board	1474*268*5	1	三胺板Melamine
⑪	抽屉面板 Drawer's top panel	489*126*15	2	三胺板Melamine
⑫	抽屉左侧板 Drawer's side board(L)	340*78*12	2	三胺板Melamine
⑬	抽屉右侧板 Drawer's side board(R)	340*78*12	2	三胺板Melamine
⑭	抽屉后板 Drawer's Back board	428*78*12	2	三胺板Melamine
⑮	抽屉底板 Drawer's Bottom board	438*336*5	2	三胺板Melamine
⑯	门拉手 Door handle	85*20*20	2	实木Wood
⑰	脚 Foot	160*46*46	4	实木Wood
⑱	中脚 Middle foot	145*30*30	2	实木Wood

JU3M-A (1.5m)

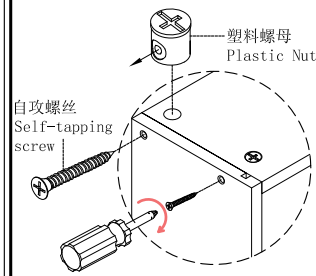
安装方法/
Installation method



大二合一
two-in-one

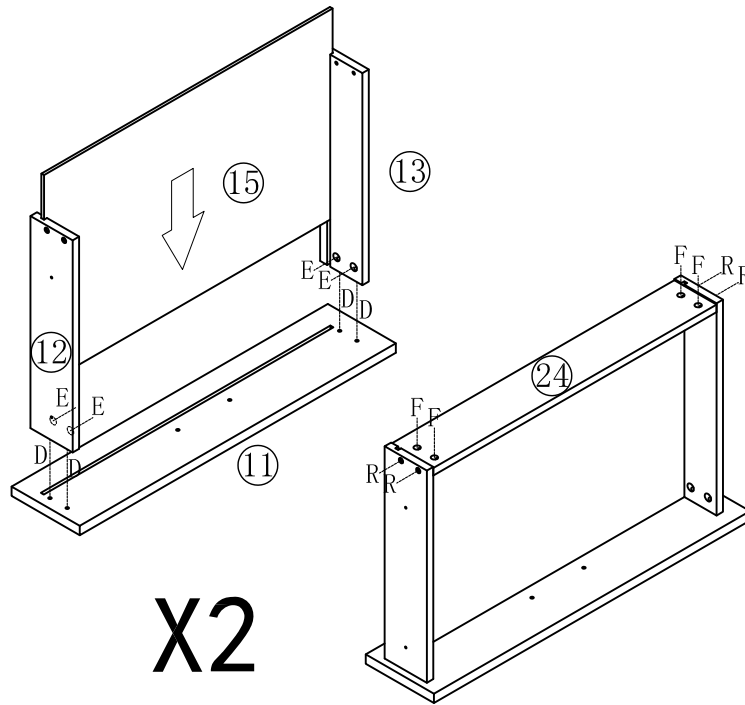


小二合一
small two-in-one

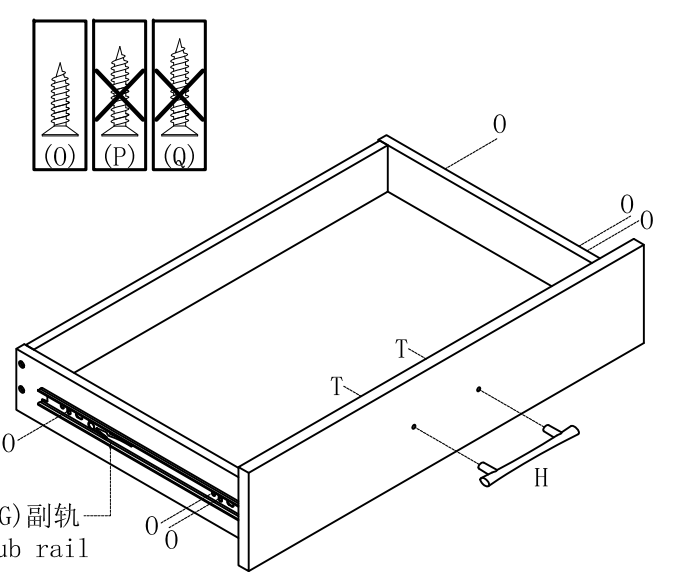


塑料螺母
Plastic Nut

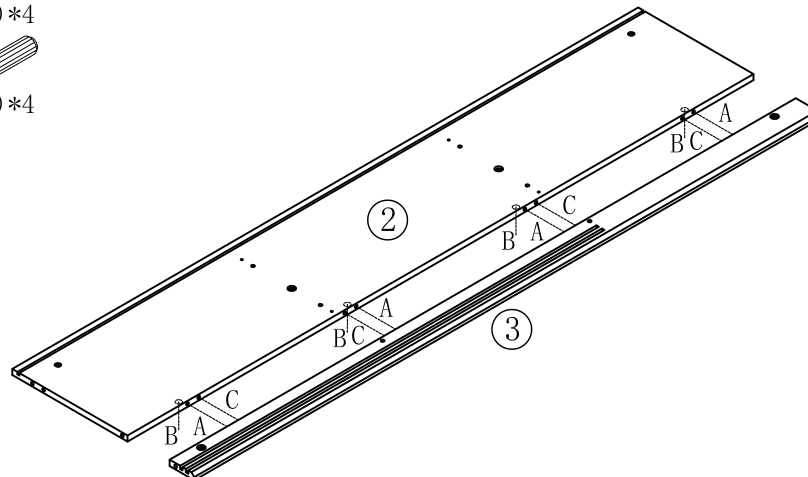
- (D) *8
- (E) *8
- (F) *8
- (R) *8



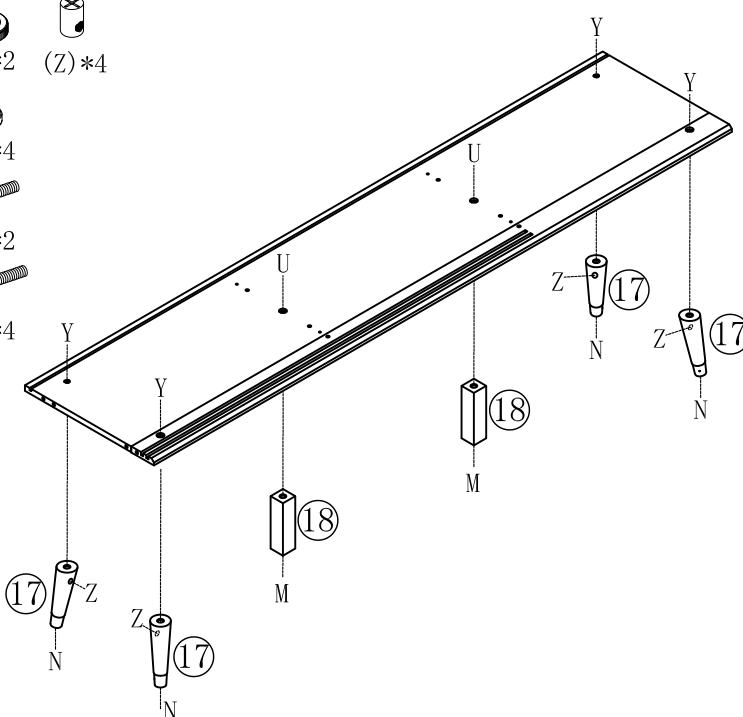
- (G) *2
- (H) *2
- (O) *12
- (T) *4



- (A) *4
- (B) *4
- (C) *4

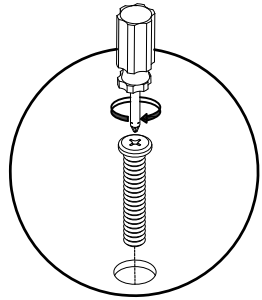


- (M) *2
- (N) *4
- (U) *2
- (Y) *4

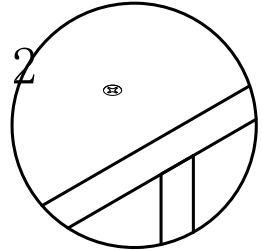
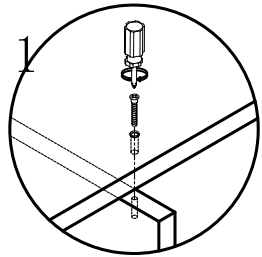


JU3M-A (1.5m)

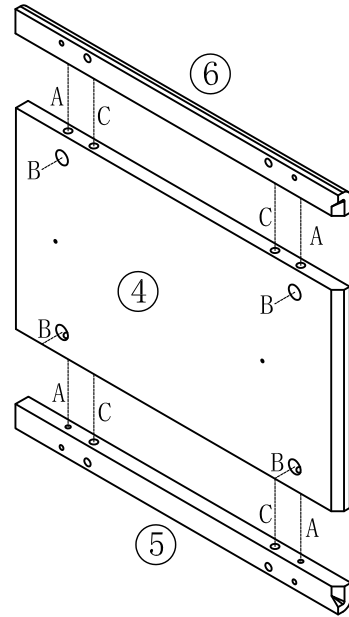
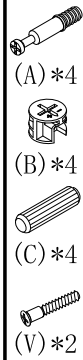
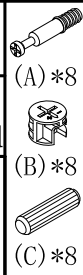
安装方法/
Installation method



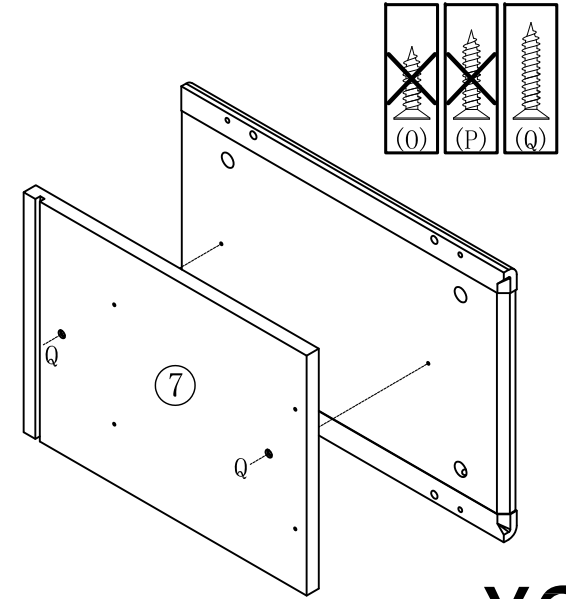
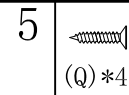
斜边十字螺杆
bevel cross screw



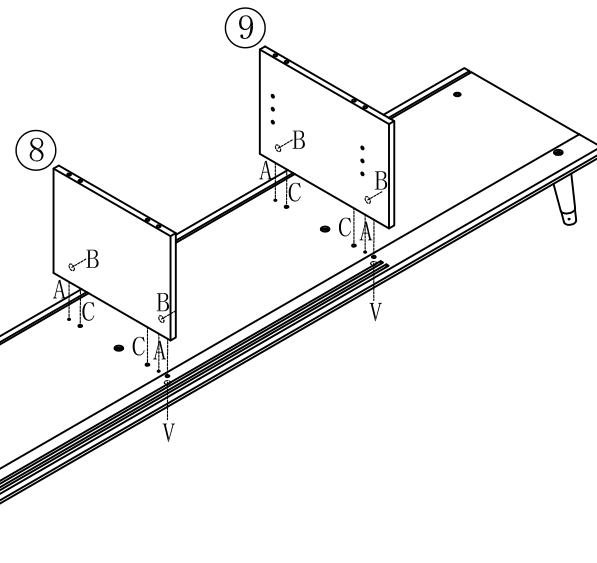
过山丝
Self-tapping screw galvanized



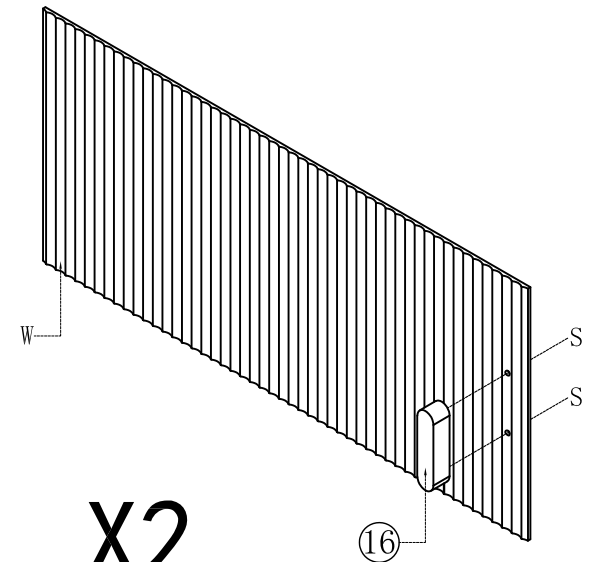
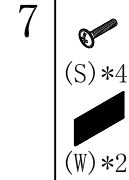
X2



X2



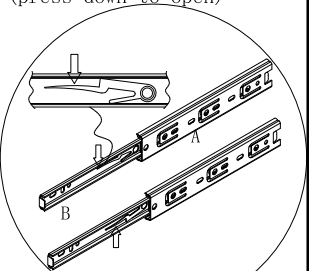
X2



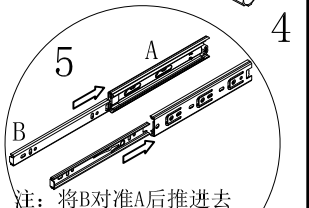
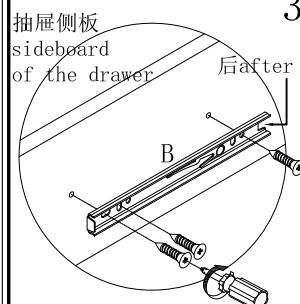
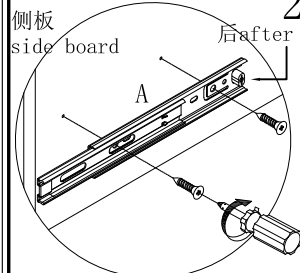
JU3M-A (1.5m)

安装方法/
Installation method

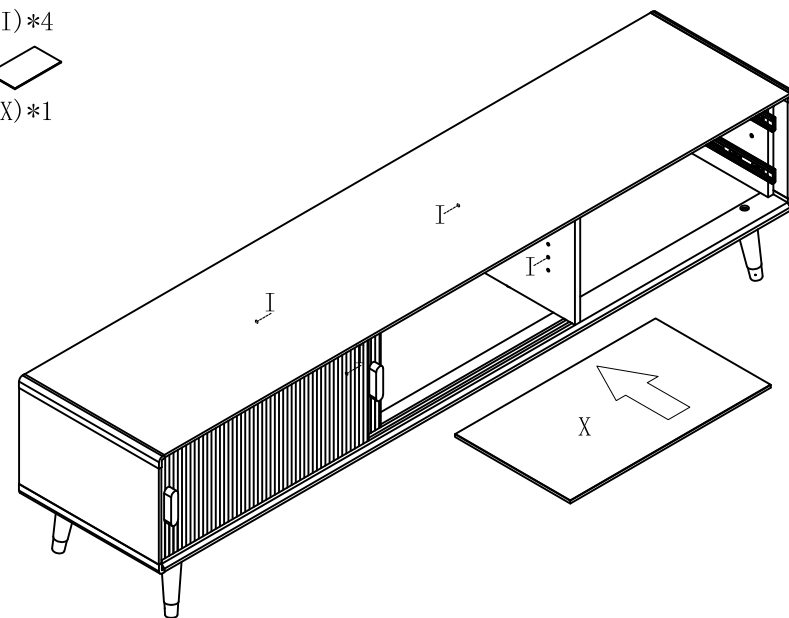
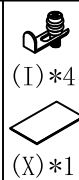
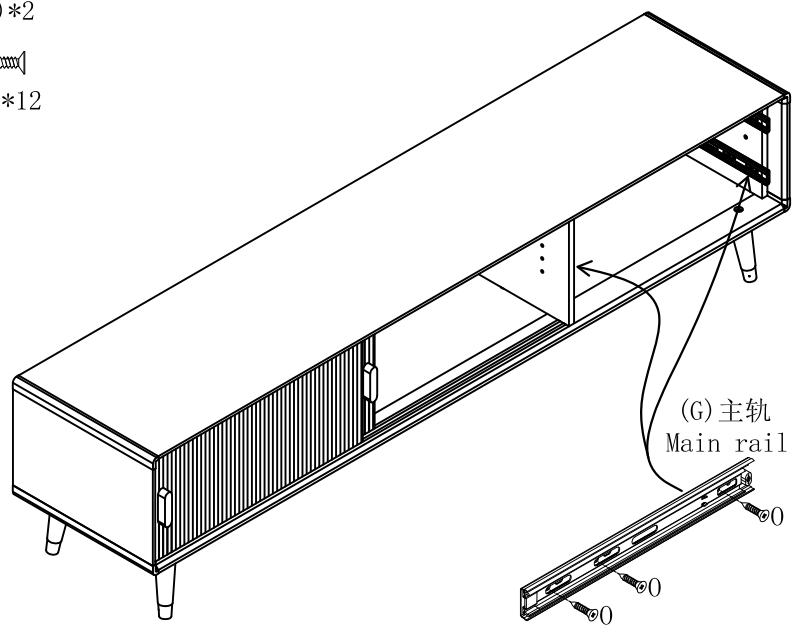
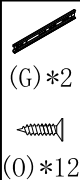
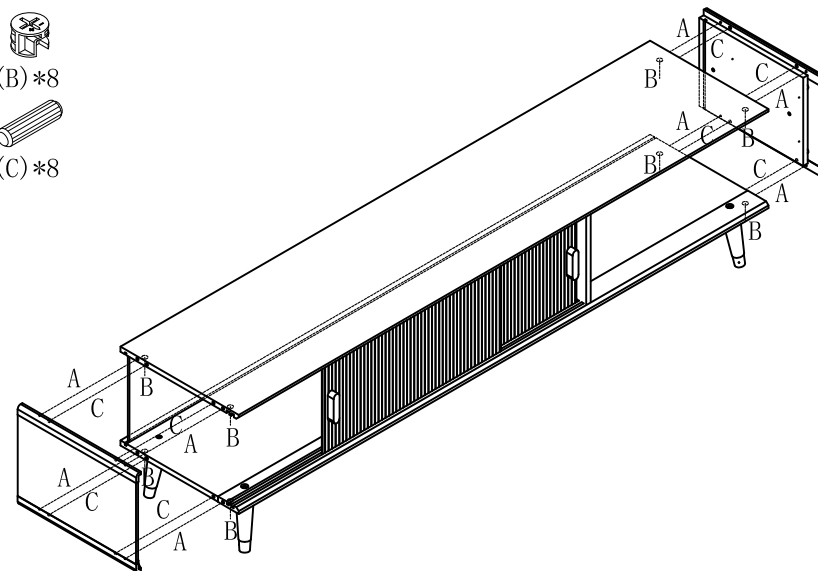
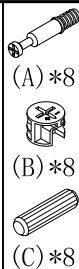
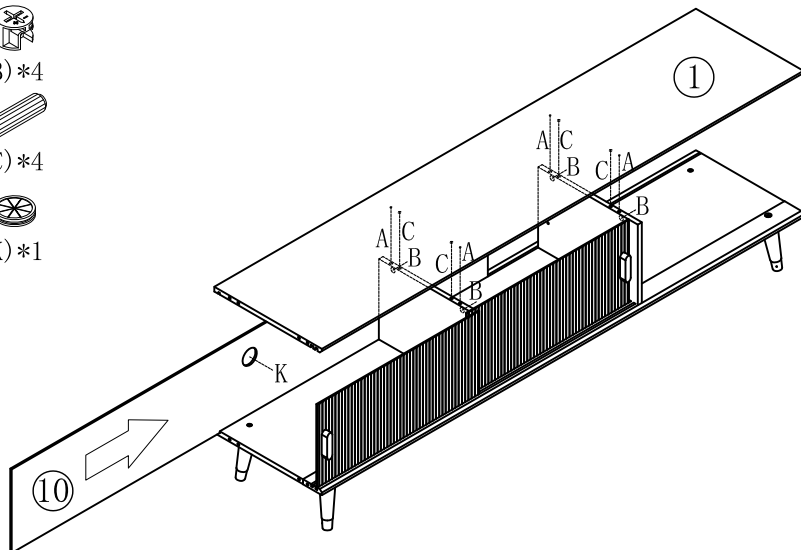
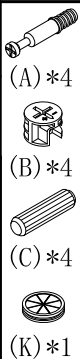
1
阀门开关(下压为开)
Valve switch
(press down to open)



注: 先将A与B拆下来
Note: remove a and B first

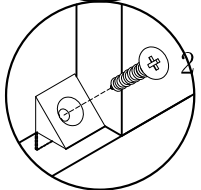
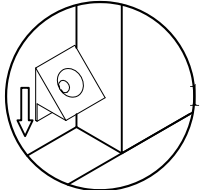


三节滚珠导轨
three-section ball rail

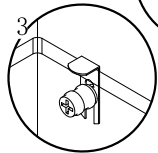
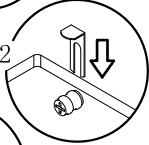
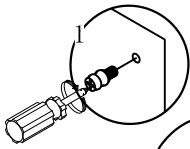


JU3M-A (1.5m)

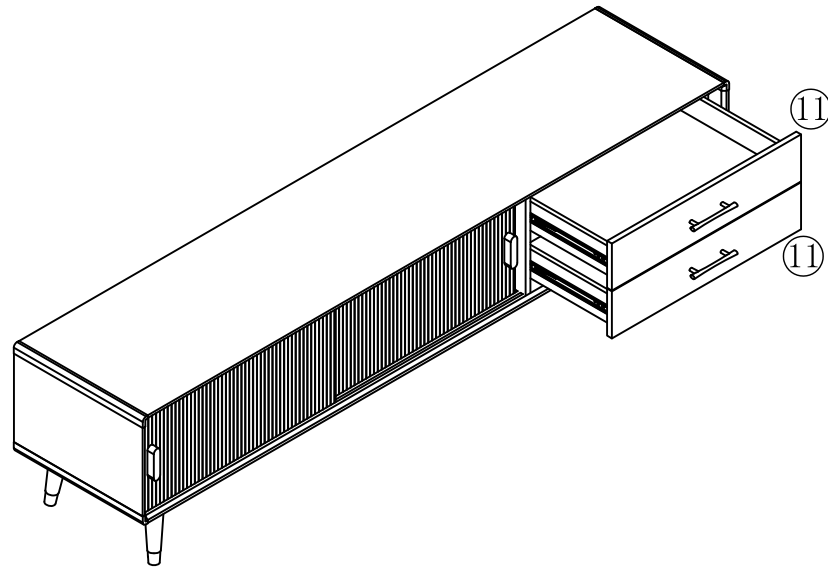
安装方法/
Installation method



背板扣
Back Plate Buckle-White



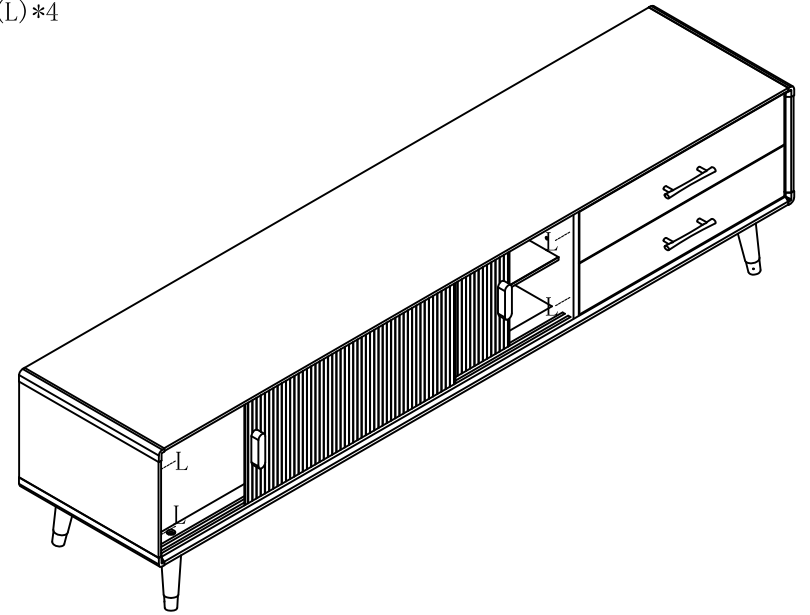
玻璃层板托
Glass laminate holder



13

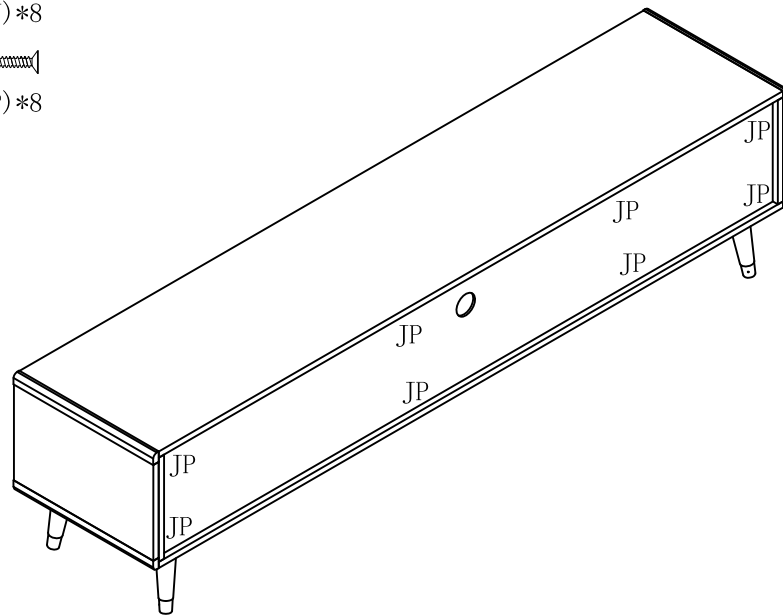
○
(L)*4

14



15

⊙
(J)*8
←
(P)*8



16

