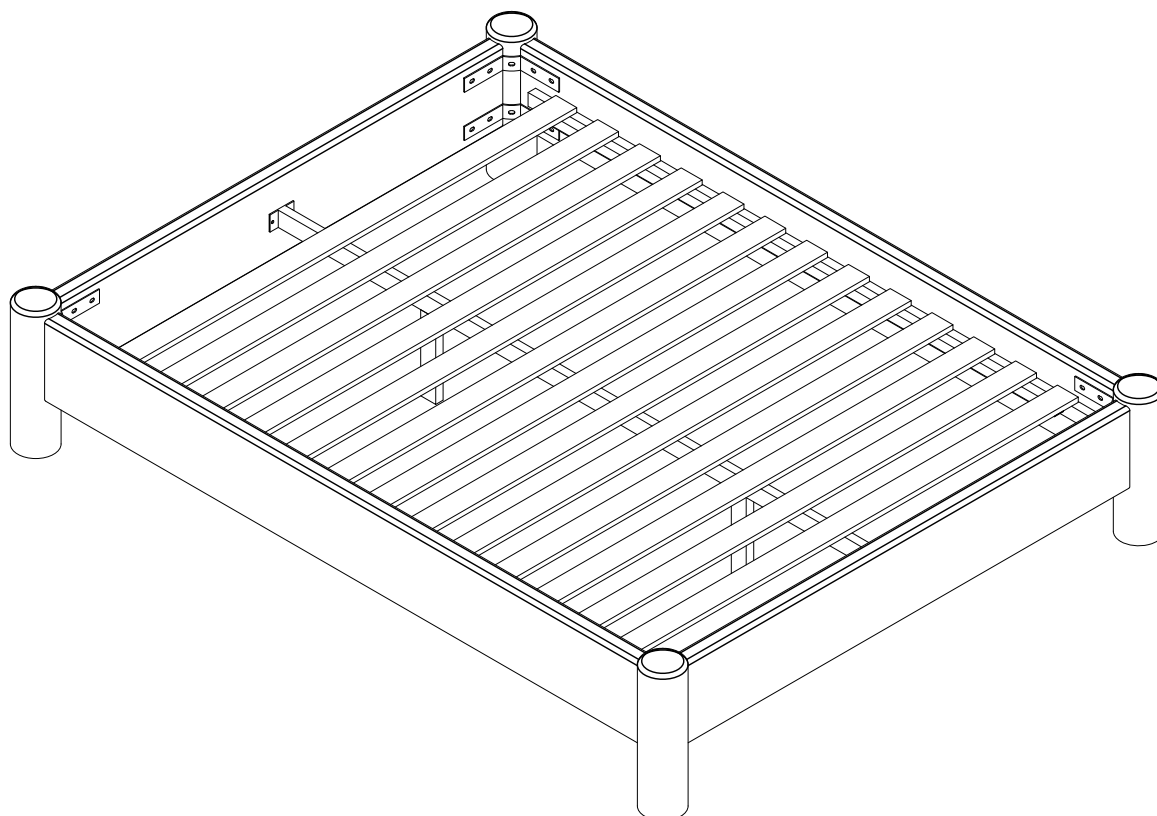


Assembly Instructions

Zach Series



Lifely*

Product Code

ZACH-BB-D Zach Boucle Bed Base - Double

ZACH-BB-Q Zach Boucle Bed Base - Queen

ZACH-BB-K Zach Boucle Bed Base - King

Dimensions(W x D x H)

1370 x 1880 x 380mm

1520 x 2030 x 380mm

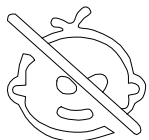
1830 x 2030 x 380mm

Important

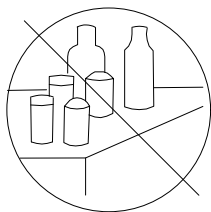
Please read through instruction carefully
Before assembly and keep for future reference.

For our full catalogue of assembly instructions,
Visit: lifely.com.au/assembly.

Important Tips and Maintenance



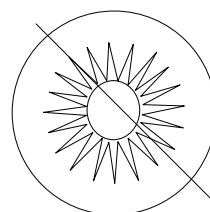
1. Keep children and animals away from working area as smaller parts may cause choking if swallowed.



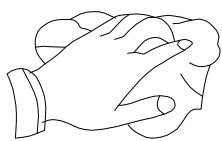
2. Never place liquids or anything damp upon furniture as it will mark. Ensure a coaster or running is beneath.



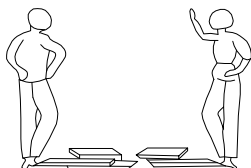
3. Never use ammonia based cleaning products as it will damage the finish.



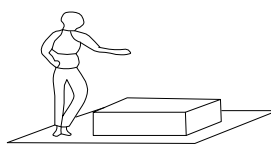
4. To avoid fading, keep furniture out of direct sunlight.



5. Use a soft or damp cloth (dry cloth) when wiping or cleaning surfaces.



6. Two person are required.



7. Lay a soft mat down to protect the furniture piece before and during assembly.

So your relationship is strong. But is it flat-pack furniture strong? Unless you're an aerospace engineer, assembling furniture can be slightly stressful. We recommend meditating quietly, pouring yourself a herbal tea (or slightly less herbal wine) and tackling things one step at a time. If you feel a passive aggressive remark coming on, try a compliment instead. E.g. "You're so good looking"

This 5-step assembly should take around 1.5 hours with an Allen Key - or 1 hour with an electric drill. Godspeed.

Designed for everyday

Component Hardware 1/3

Please check you have all the fittings part or tools are listed in below.

No. A
Quantity:48 Pcs
Screw
M8*30mm



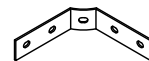
No. B
Quantity:48Pcs
Washer
φ22



No. C
Quantity:1 Pc
Allen Key
5#



No. D
Quantity:8Pcs
Metal Plate



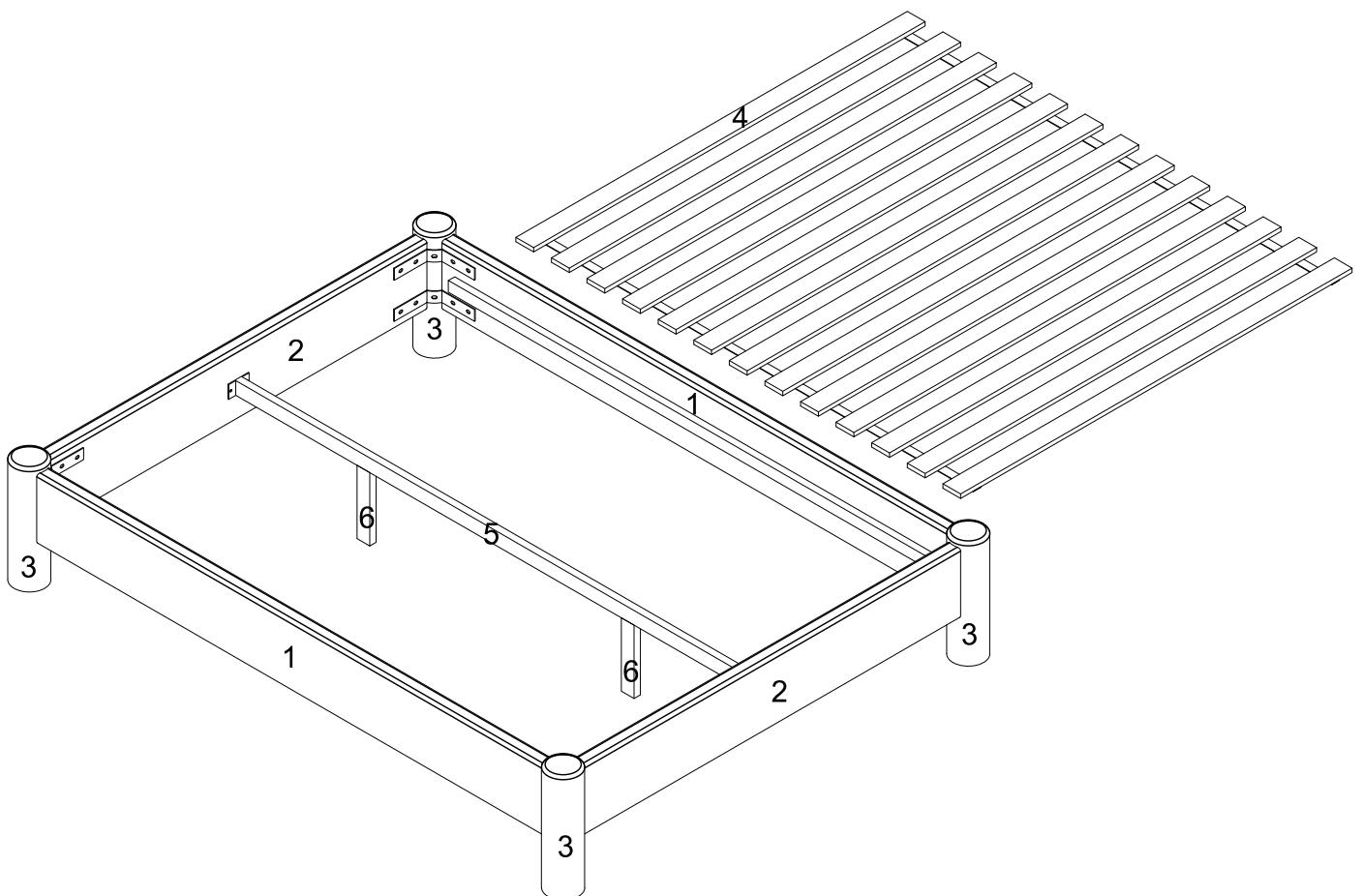
No. E
Quantity:26Pcs
Screw
4*30mm



Component Panels & part List

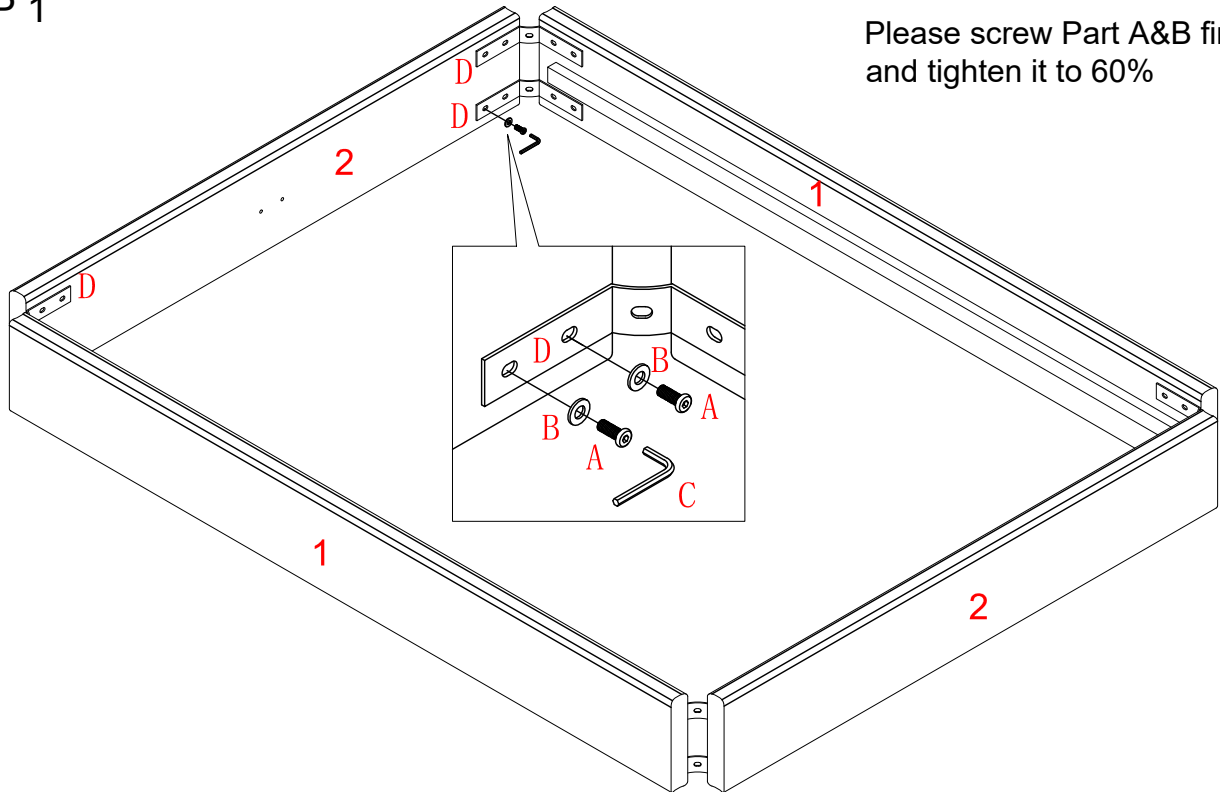
Please check you have all the panels are listed below.

1. SIDE RAIL x2 CTN 1/3
2. BED END x2 CTN 1/3
3. BED LEG x4 CTN 3/3
4. BED SLATS x1 CTN 2/3
5. MIDDLE SUPPORT TUBE x1 CTN 1/3
6. MIDDLE SUPPORT LEG x2 CTN 1/3



STEP 1

Please screw Part A&B first and tighten it to 60%



No. A
Quantity:32 Pcs
Screw
M8*30mm



No. B
Quantity:32Pcs
Screw
φ22



No. C
Quantity:1 Pc
Allen Key
5#

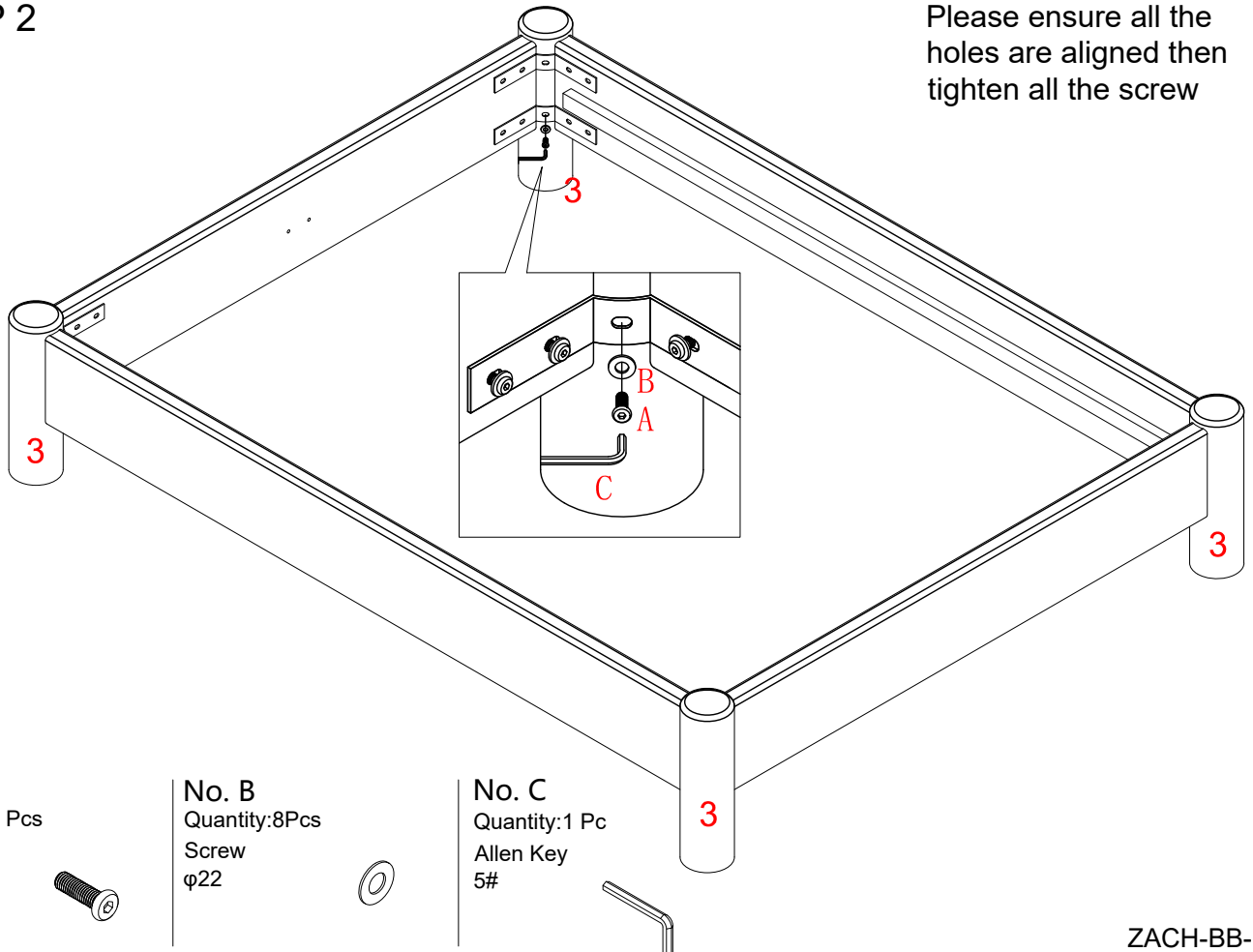


No. D
Quantity:8Pcs
Metal Plate



STEP 2

Please ensure all the holes are aligned then tighten all the screw



No. A
Quantity:8 Pcs
Screw
M8*30mm



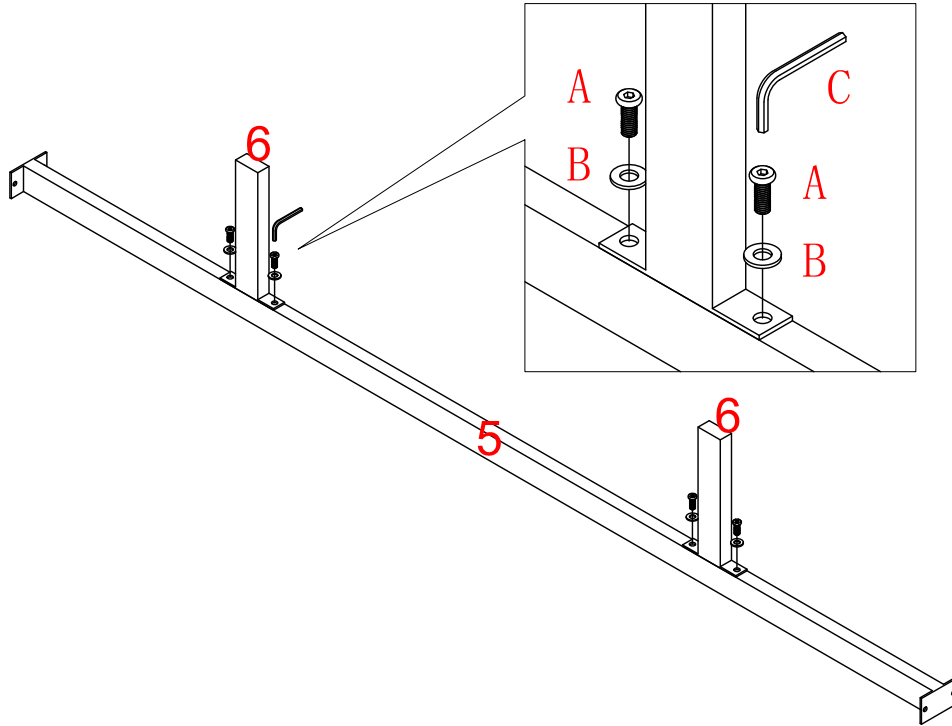
No. B
Quantity:8Pcs
Screw
φ22



No. C
Quantity:1 Pc
Allen Key
5#



STEP 3



No. A
Quantity:4 Pcs
Screw
M8*30mm



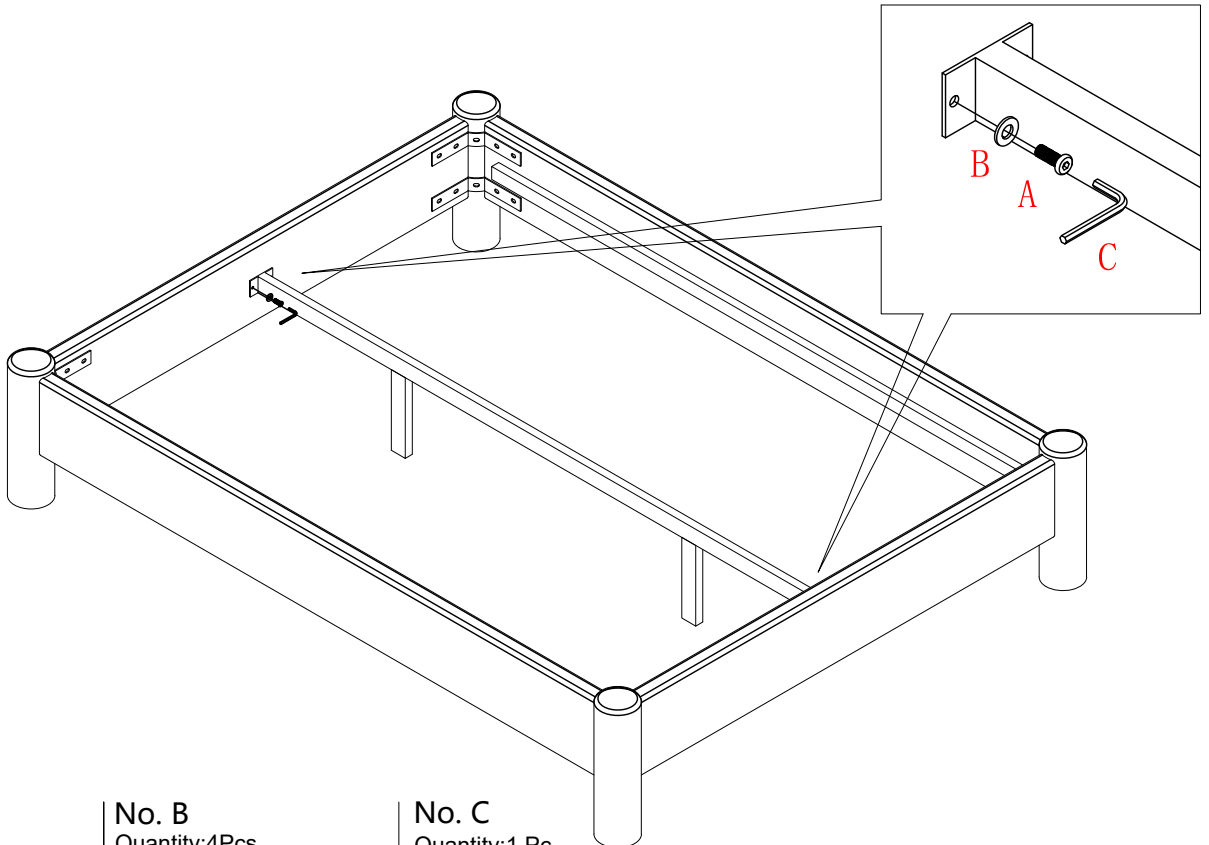
No. B
Quantity:4Pcs
Screw
φ22



No. C
Quantity:1 Pc
Allen Key
5#



STEP 4



No. A
Quantity:4 Pcs
Screw
M8*30mm



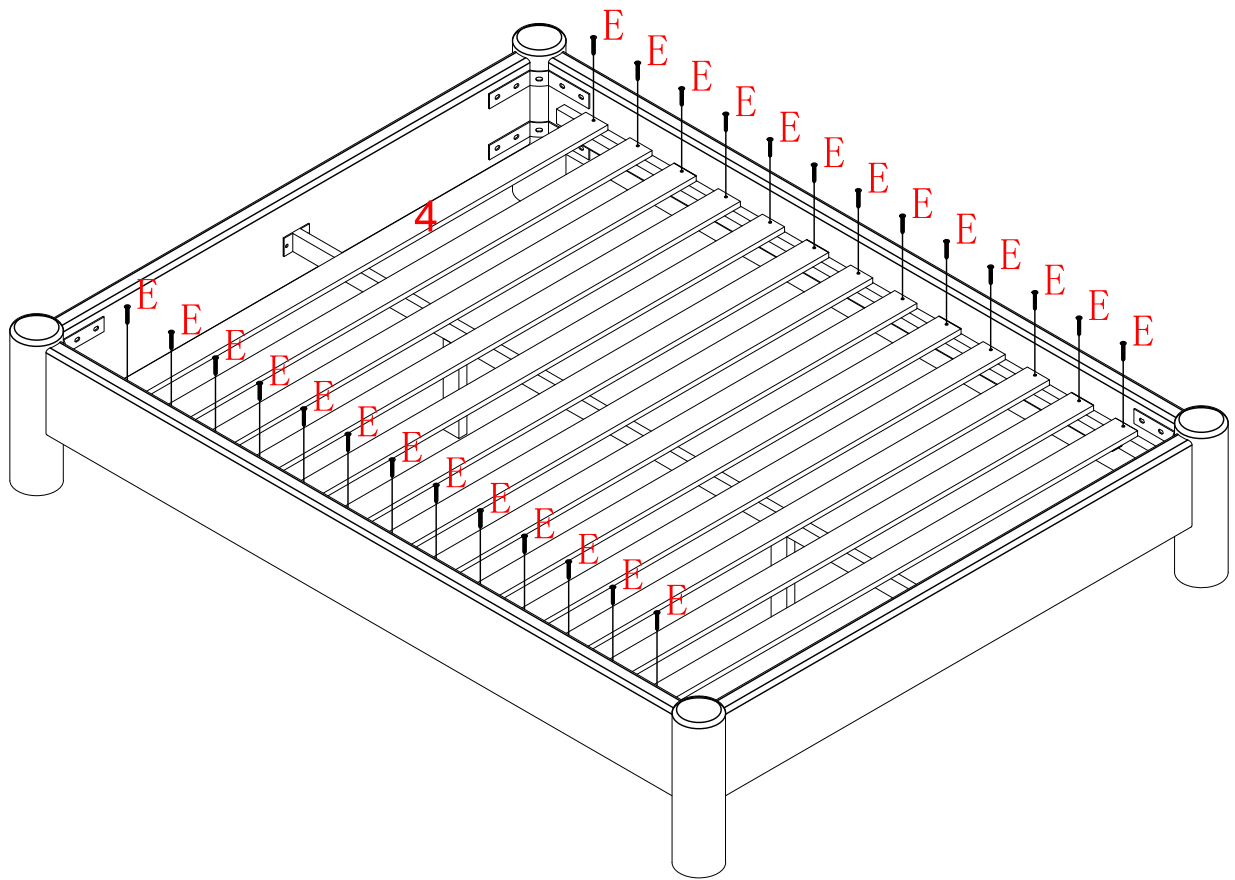
No. B
Quantity:4Pcs
Screw
φ22



No. C
Quantity:1 Pc
Allen Key
5#



STEP 5



No. E
Quantity: 26Pcs
Screw
4*30mm



lifely.com.au

Great job. You're done!

Don't forget to share how it looks in
your space and tag us on Instagram.
@lifelyhome#homewithlifely!