

安装示意图/Assembly Instruction

产品名称 Model NO.

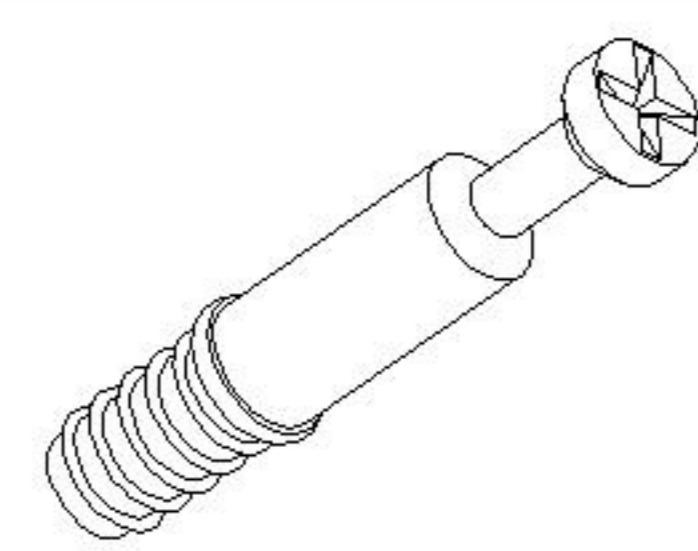
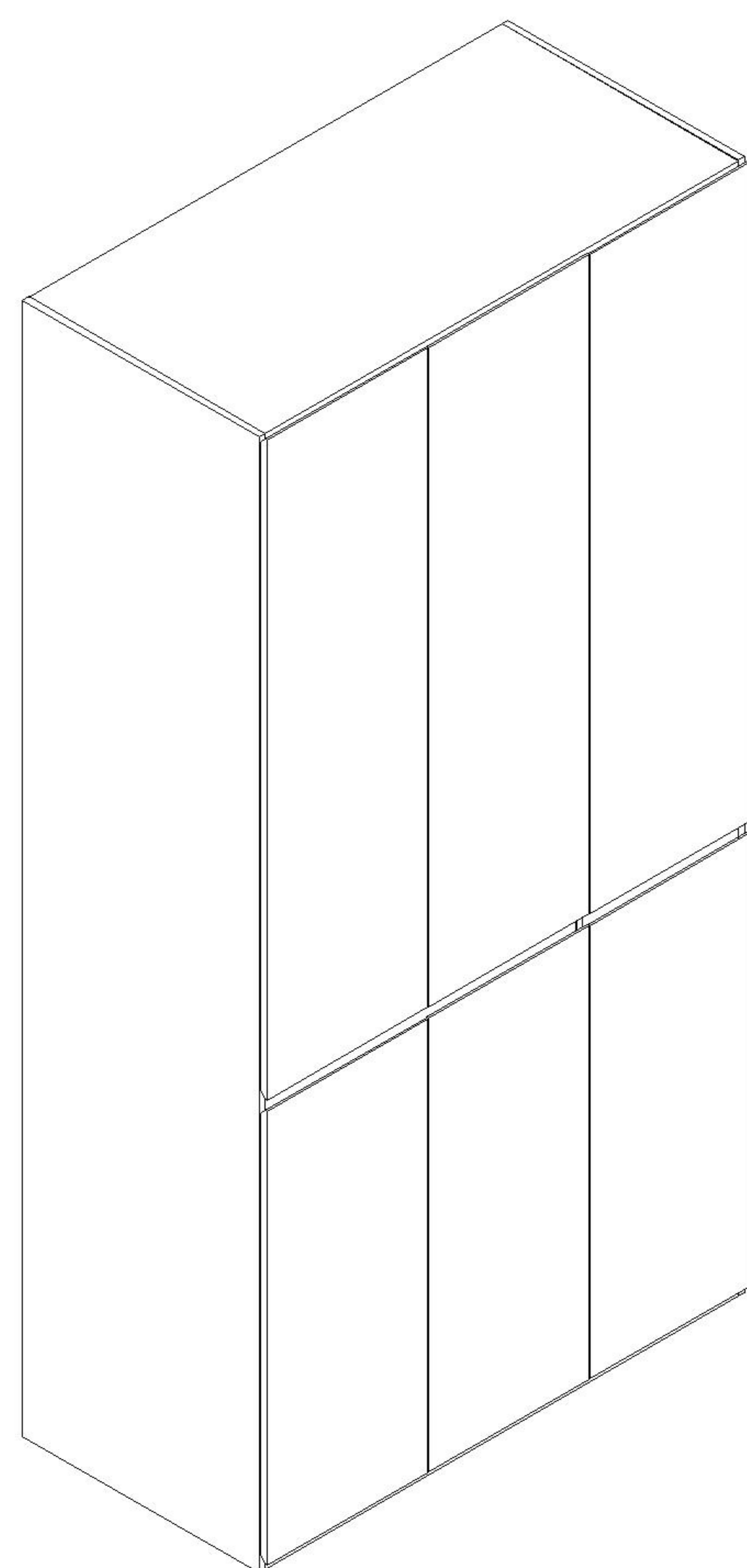
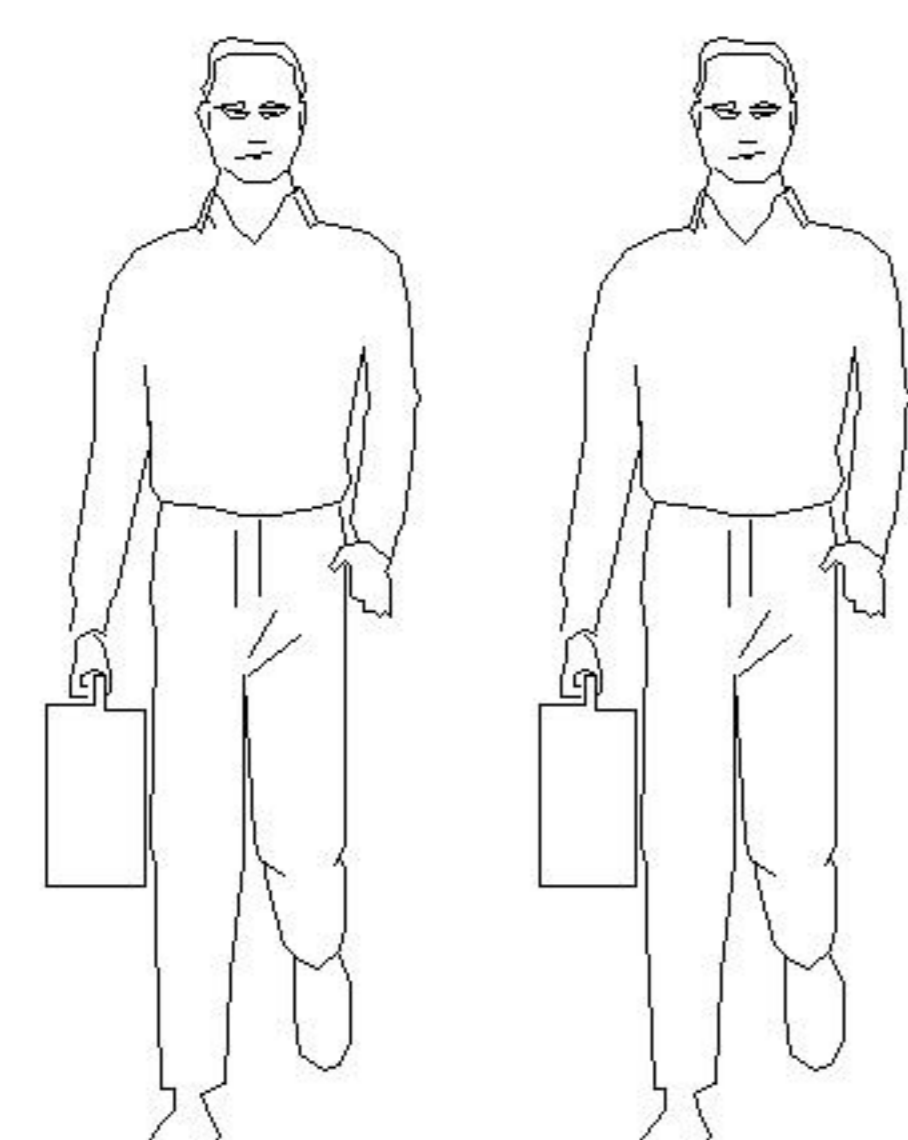
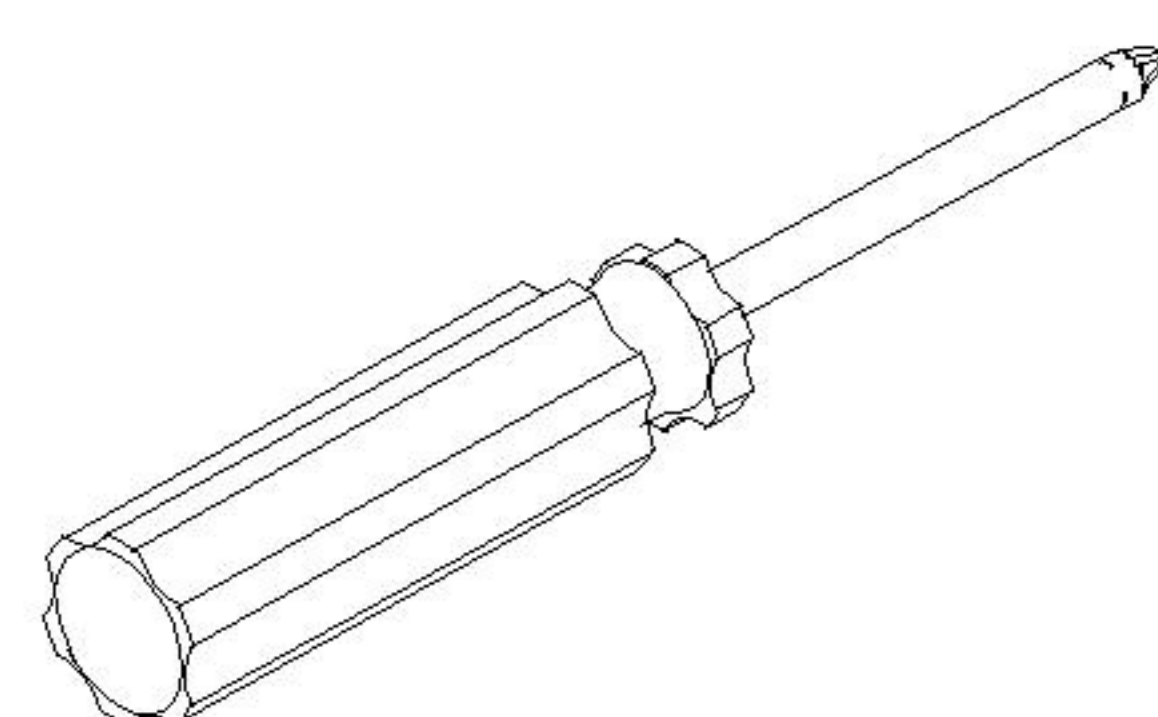
TR1D-A三门衣柜

产品规格 Specification

1194*600*2423MM

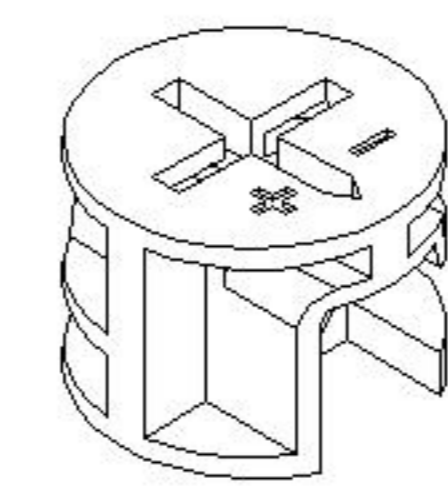
安装工具 Tool

安装人数 Installer



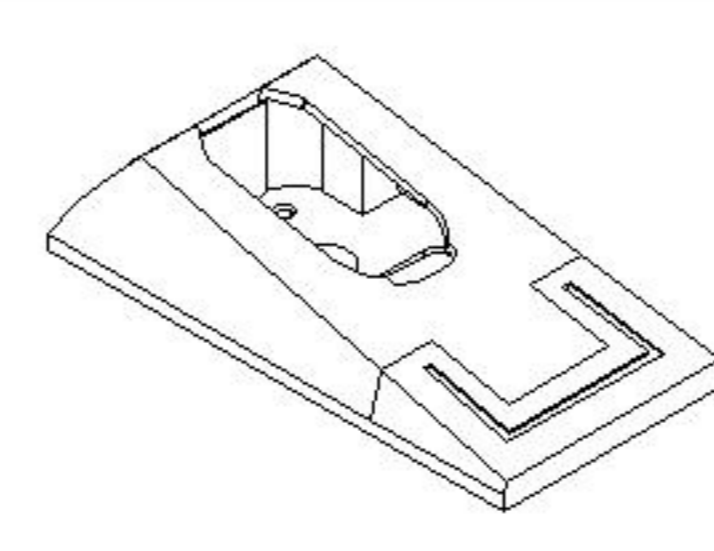
(A)*51

二合一螺杆
2-in-1-screw



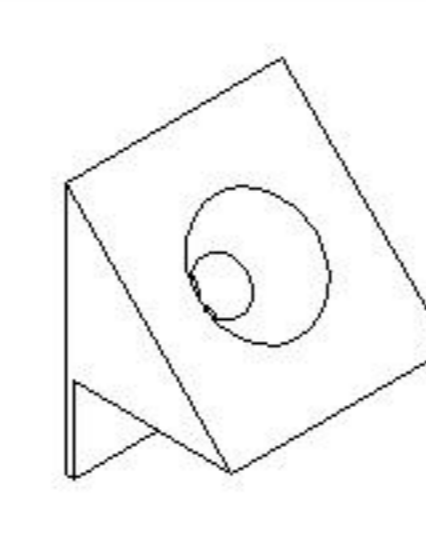
(B)*55

大三合一锁饼
3-in-1 large lock



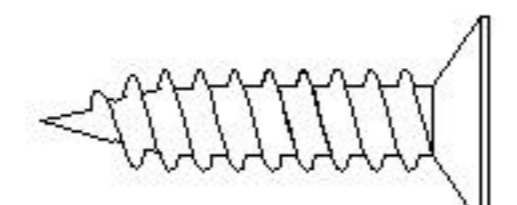
(C)*6

挂衣托
Clothes hanger



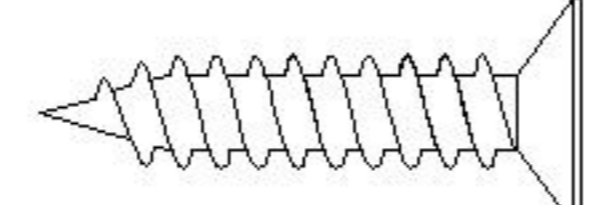
(D)*11

背板扣
White buckle



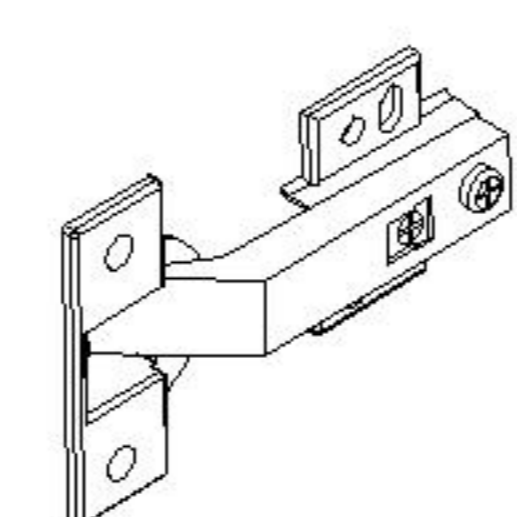
(E)*19

白攻螺丝M3.5*12mm
Tapping screw



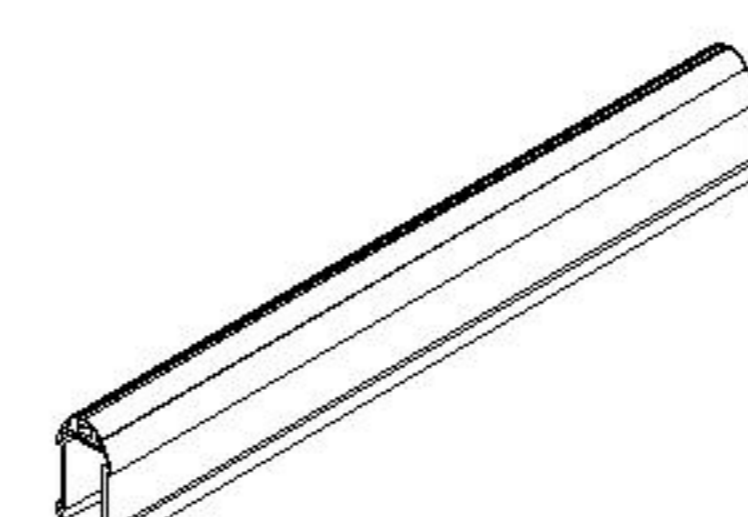
(F)*11

白攻螺丝M3.5*16mm
Tapping screw



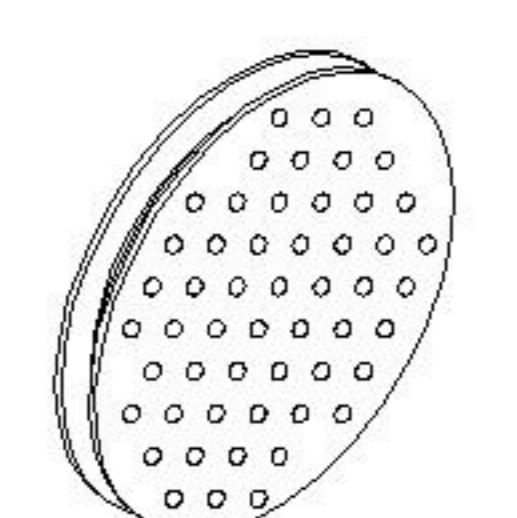
(G)*15

缓冲门铰直弯-杯035
Straight bend hinge



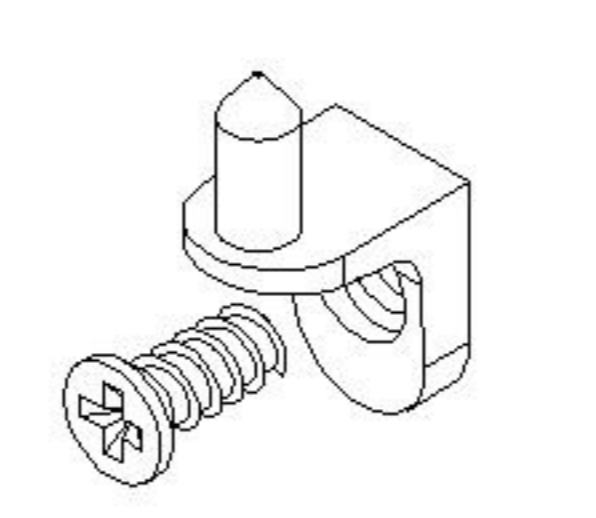
(H)*2

挂衣杆-L=758mm
Clothes hanging rod



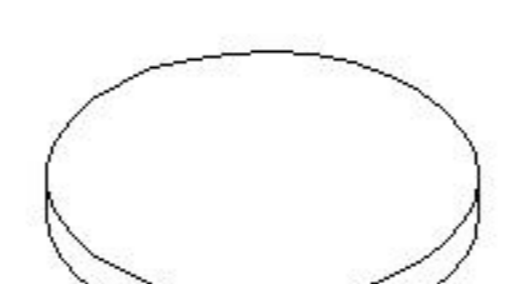
(I)*2

透气孔盖-白色
Vent cover - white



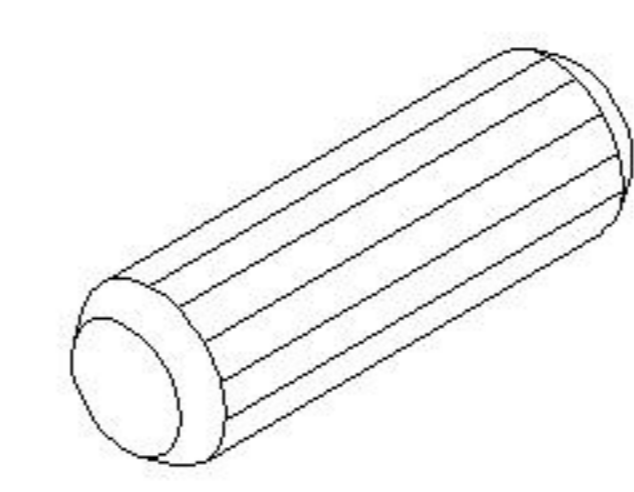
(J)*20

层板托5mm
shelf support



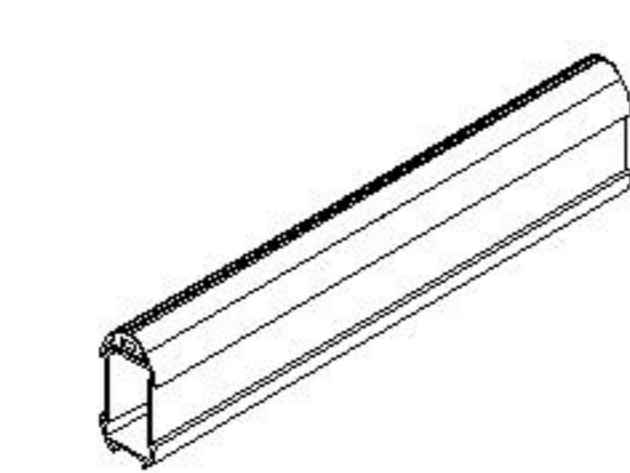
(K)*14

灰色毛毡垫
Foot pad



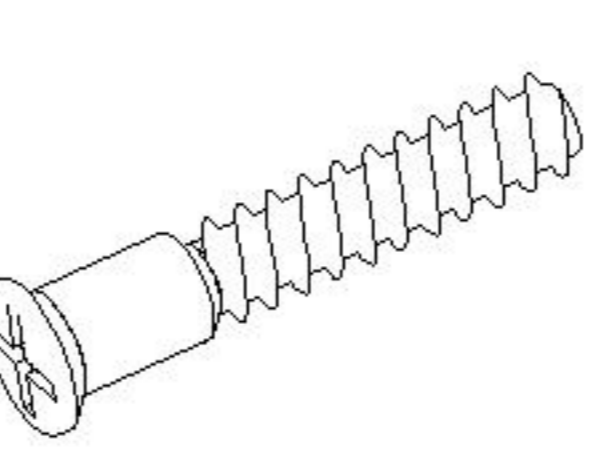
(L)*17

木榫Ø8x30mm
Wood tenon



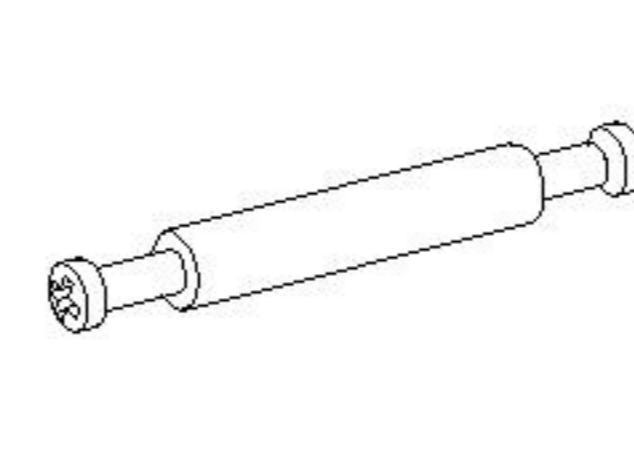
(M)*1

挂衣杆-L=375mm
Clothes hanging rod



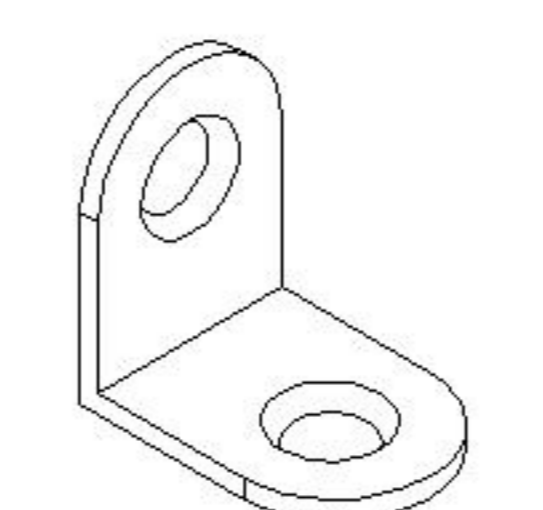
(N)*2

过山丝
Confirmat screw



(O)*2

双头三合一螺杆
double-head
three-in-one screw



(P)*3

小角码-(14*21*1.5mm)
Small bracket

编号NO.

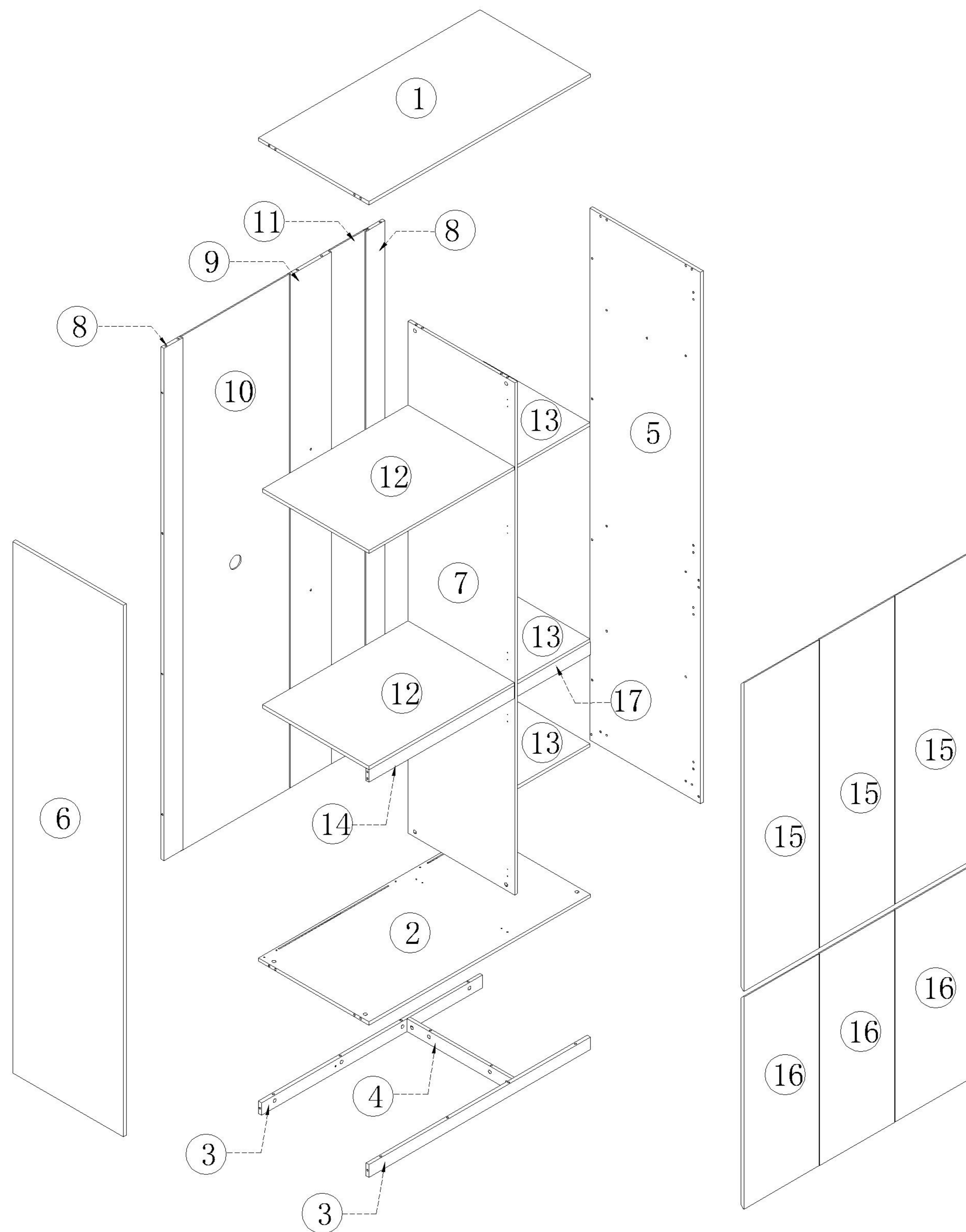
名称Name

规格 (mm)
Specification

数量QTY

材质Material

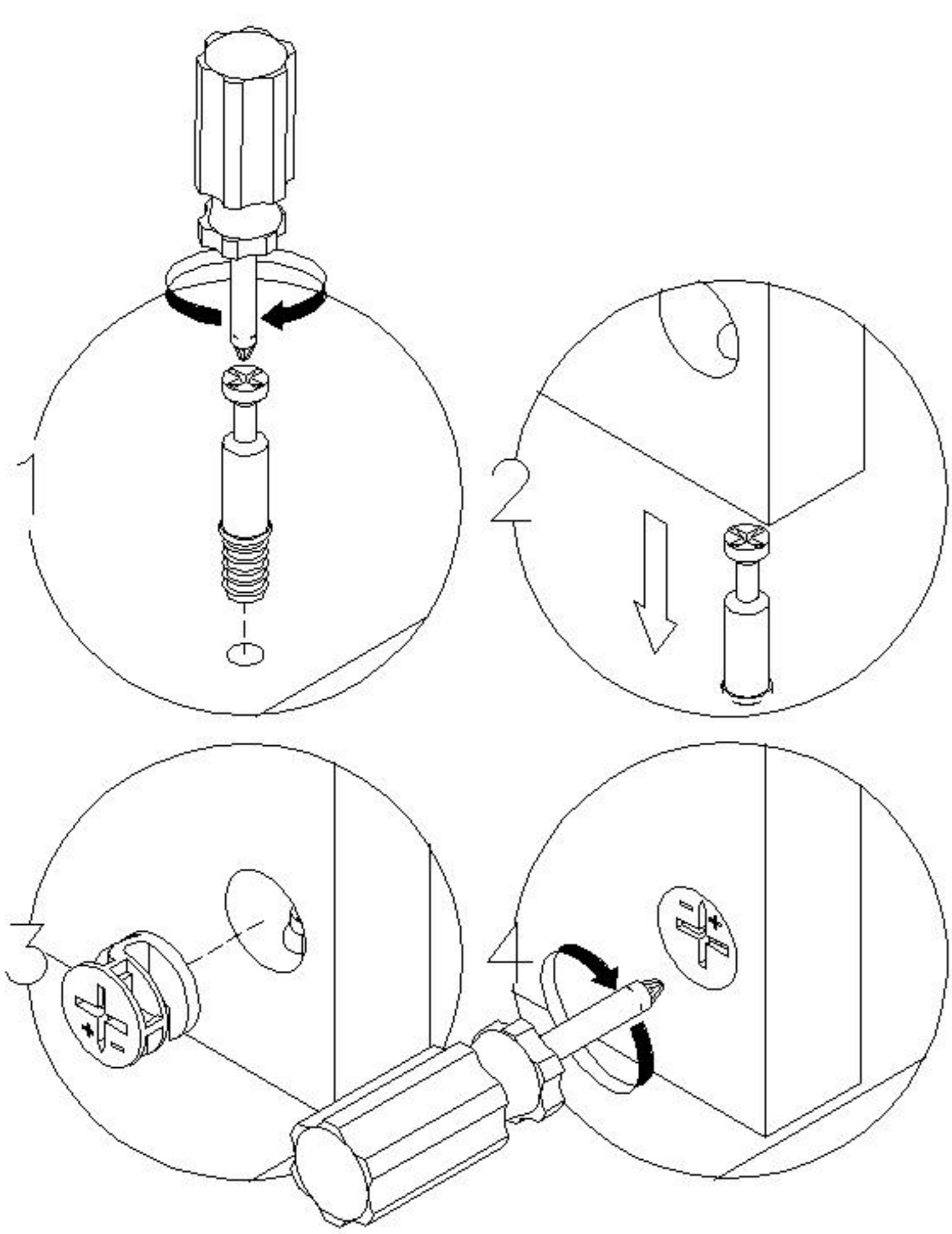
1	顶板Top board	1164*582*15	1	人造板 WBP
2	底板Bottom board	1164*582*15	1	人造板 WBP
3	前脚条Front foot strip	1164*58*15	2	人造板 WBP
4	中脚条Middle foot strip	550*58*15	1	人造板 WBP
5	右侧板Side board(R)	2420*582*15	1	人造板 WBP
6	左侧板Side board(L)	2420*582*15	1	人造板 WBP
7	中侧板Middle side board	2331*562*15	1	人造板 WBP
8	边背拉条Side back brace	2331*101*15	2	人造板 WBP
9	背拉条Back brace	2331*218*15	1	人造板 WBP
10	大背板Big backboard	2341*575*5	1	人造板 WBP
11	小背板Small backboard	2341*192*5	1	人造板 WBP
12	左活动层板Movable shelf(L)	765*560*15	2	人造板 WBP
13	右活动层板Movable shelf(R)	382*560*15	3	人造板 WBP
14	拉条Brace	766*58*15	1	人造板 WBP
15	上门板Upper door board	1404*395*18	3	人造板 WBP
16	下门板Under door board	966*395*18	3	人造板 WBP
17	短拉条Short brace	383*58*15	1	人造板 WBP



编号NO.	名称Name
1	顶板Top board
2	底板Bottom board
3	前脚条Front foot strip
4	中脚条Middle foot strip
5	右侧板Side board(R)
6	左侧板Side board(L)
7	中侧板Middle side board
8	边背拉条Side back brace
9	背拉条Back brace
10	大背板Big backboard
11	小背板Small backboard
12	左活动层板Movable shelf (L)
13	右活动层板Movable shelf (R)
14	拉条Brace
15	上门板Upper door board
16	下门板Under door board
17	短拉条Short brace

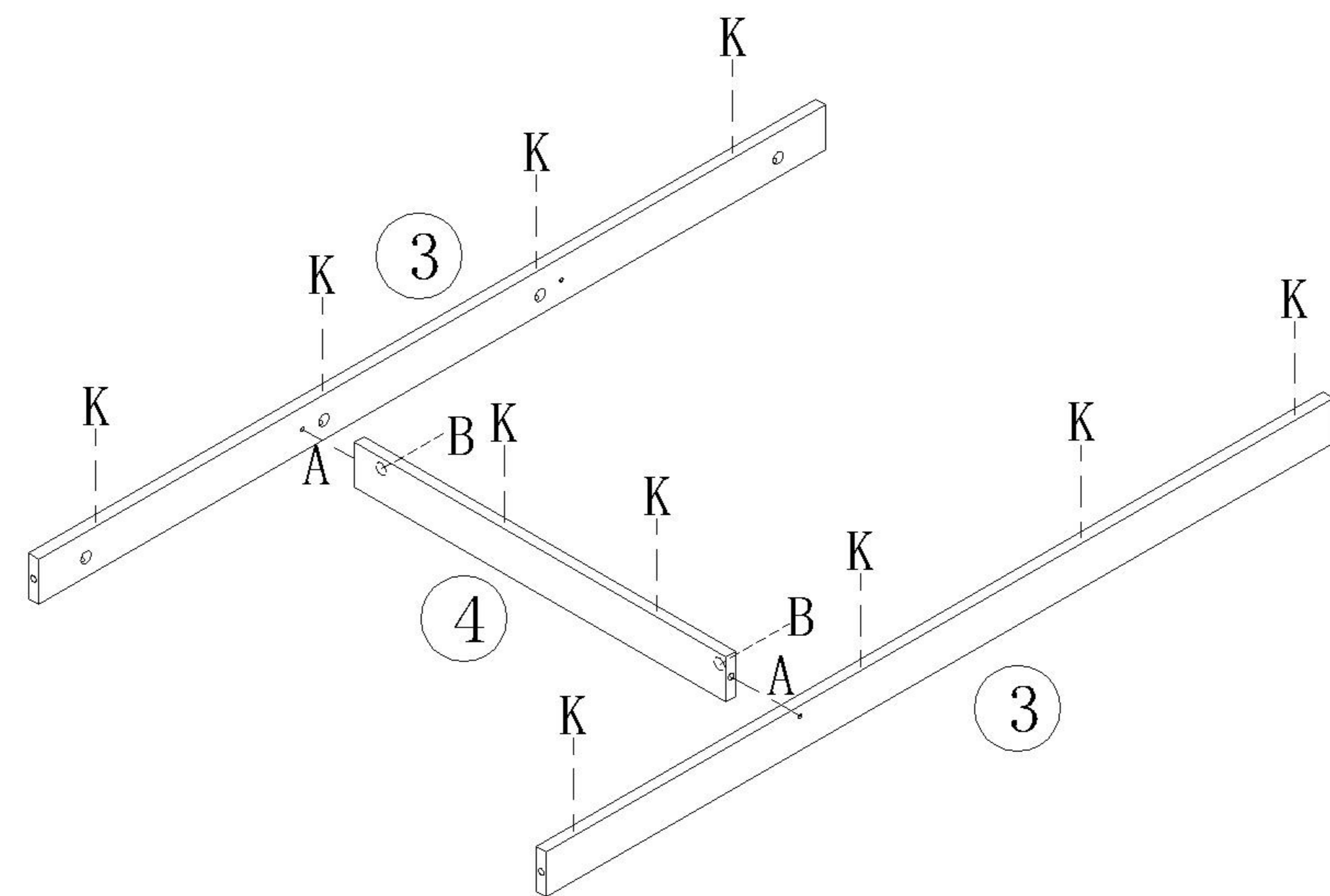
安装方法

Installation method



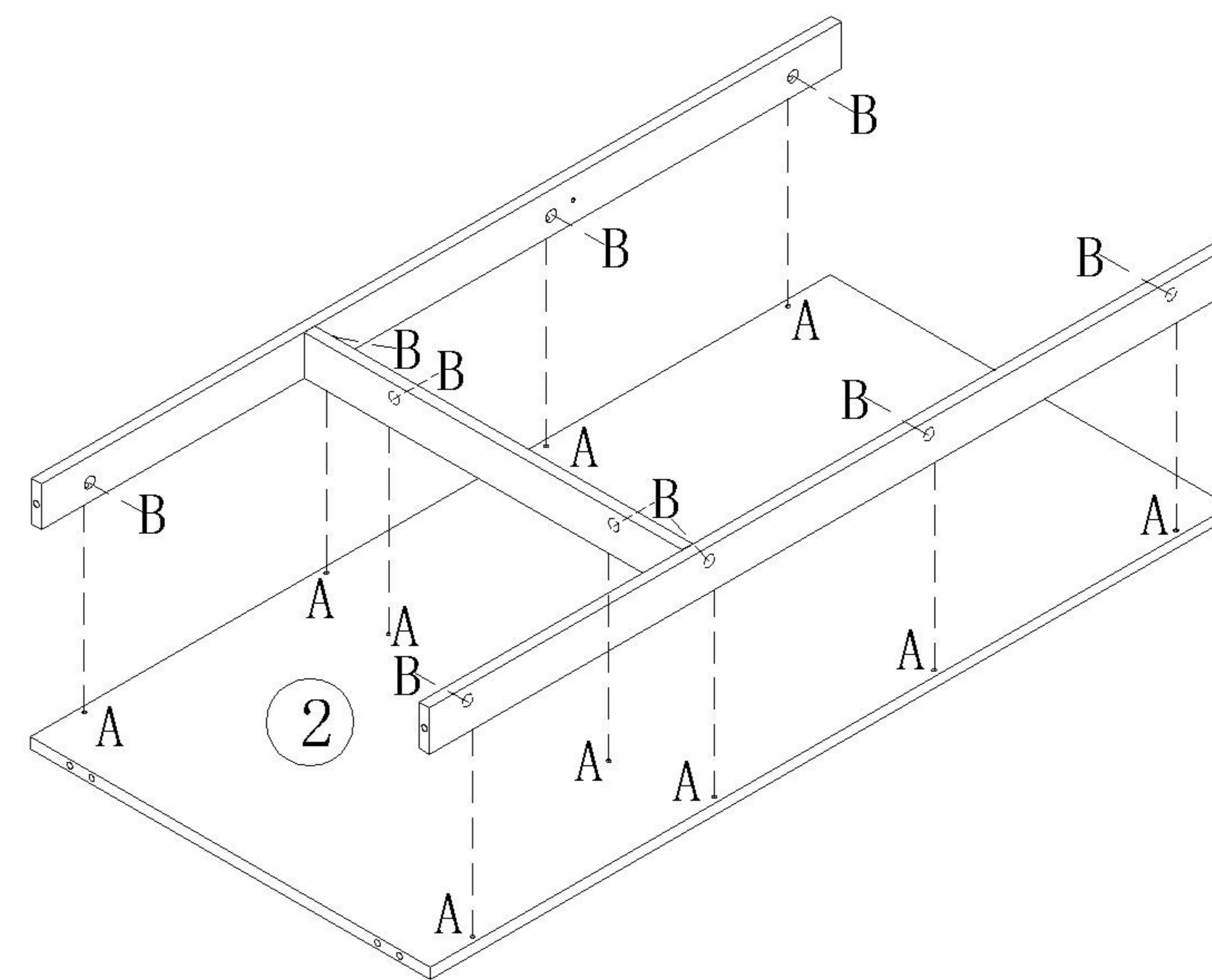
二合一 two-in-one

- (A)*2
- (B)*2
- (K)*10



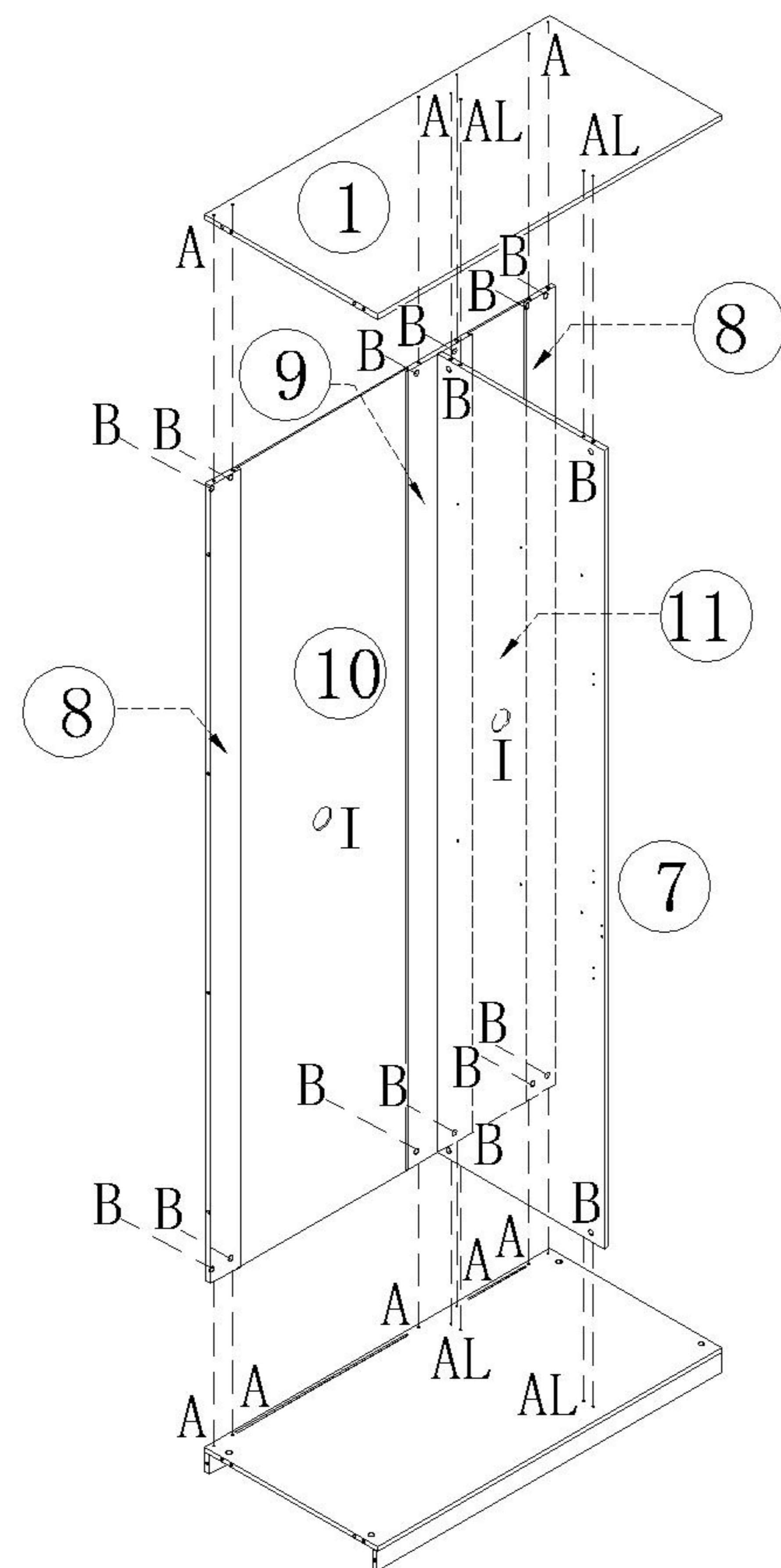
1

- (A)*10
- (B)*10



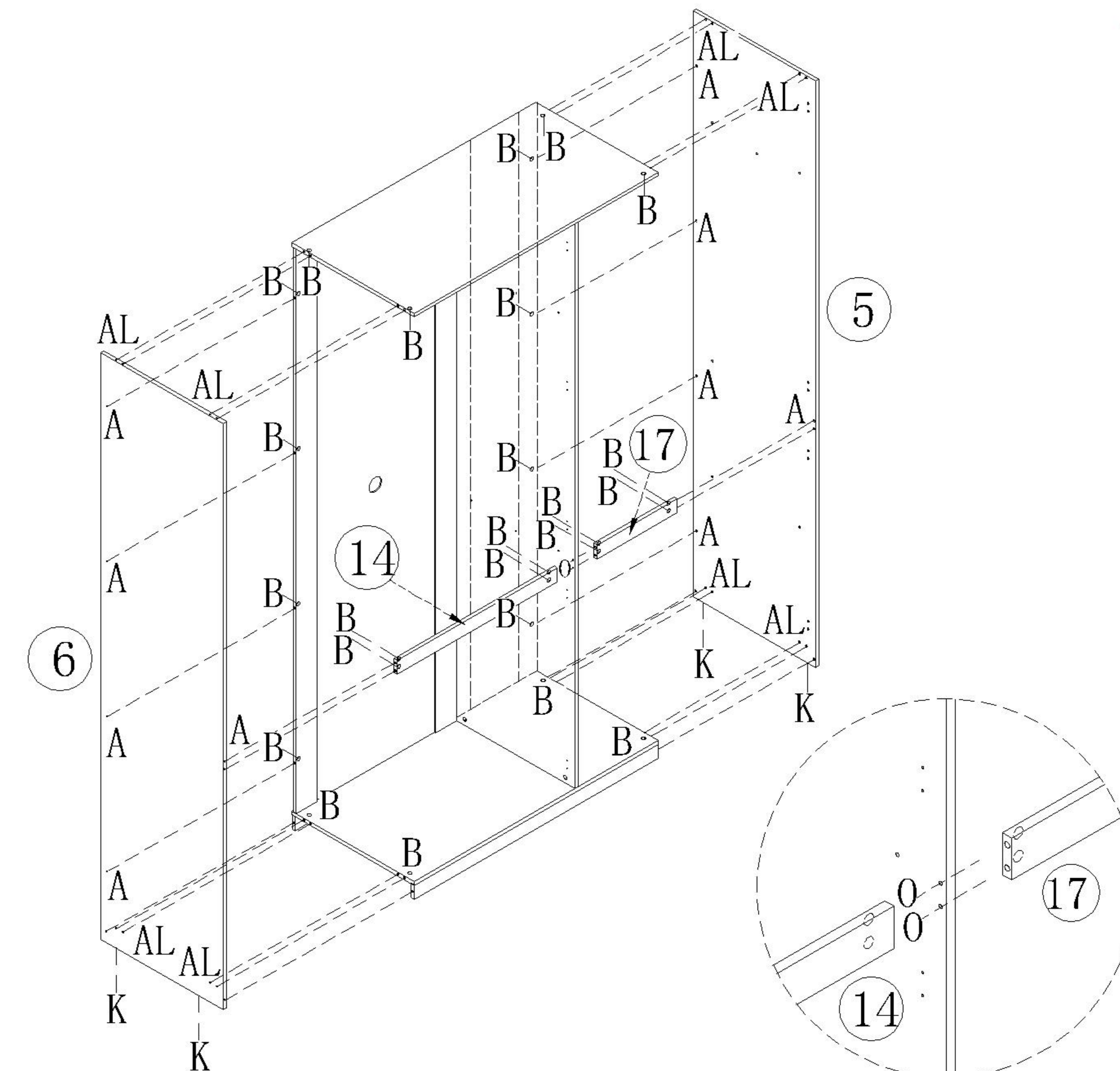
2

- (A)*16
- (B)*16
- (I)*2
- (L)*4



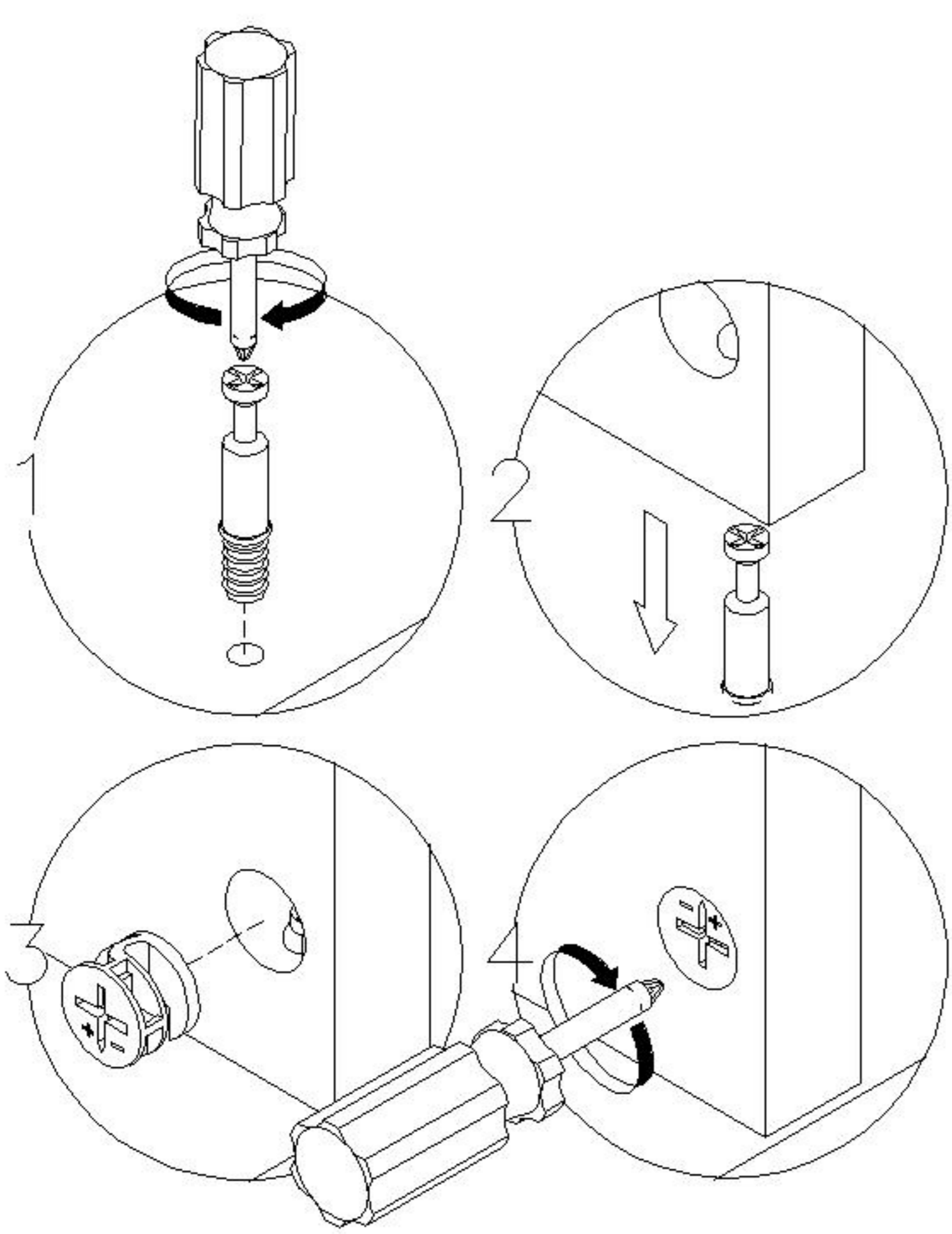
3

- (A)*20
- (B)*24
- (O)*2
- (L)*12
- (K)*4



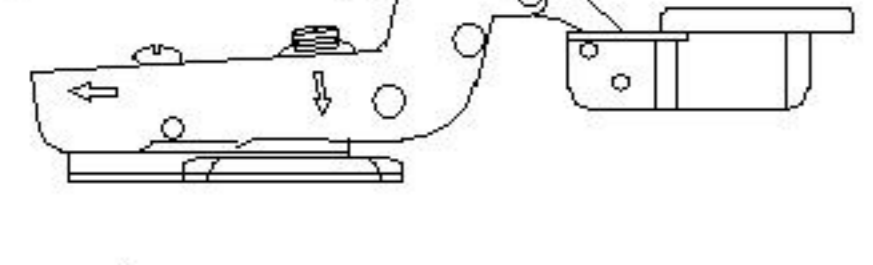
4

安装方法
Installation method

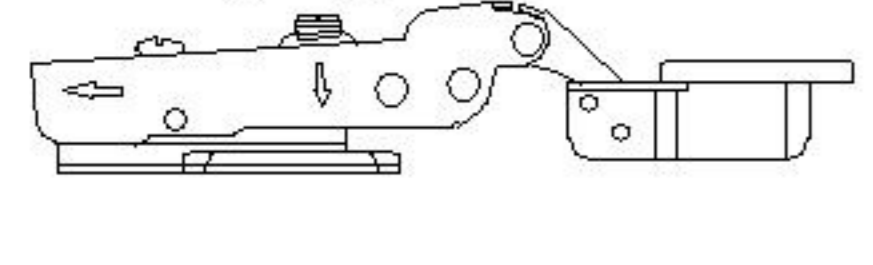


二合一 two-in-one

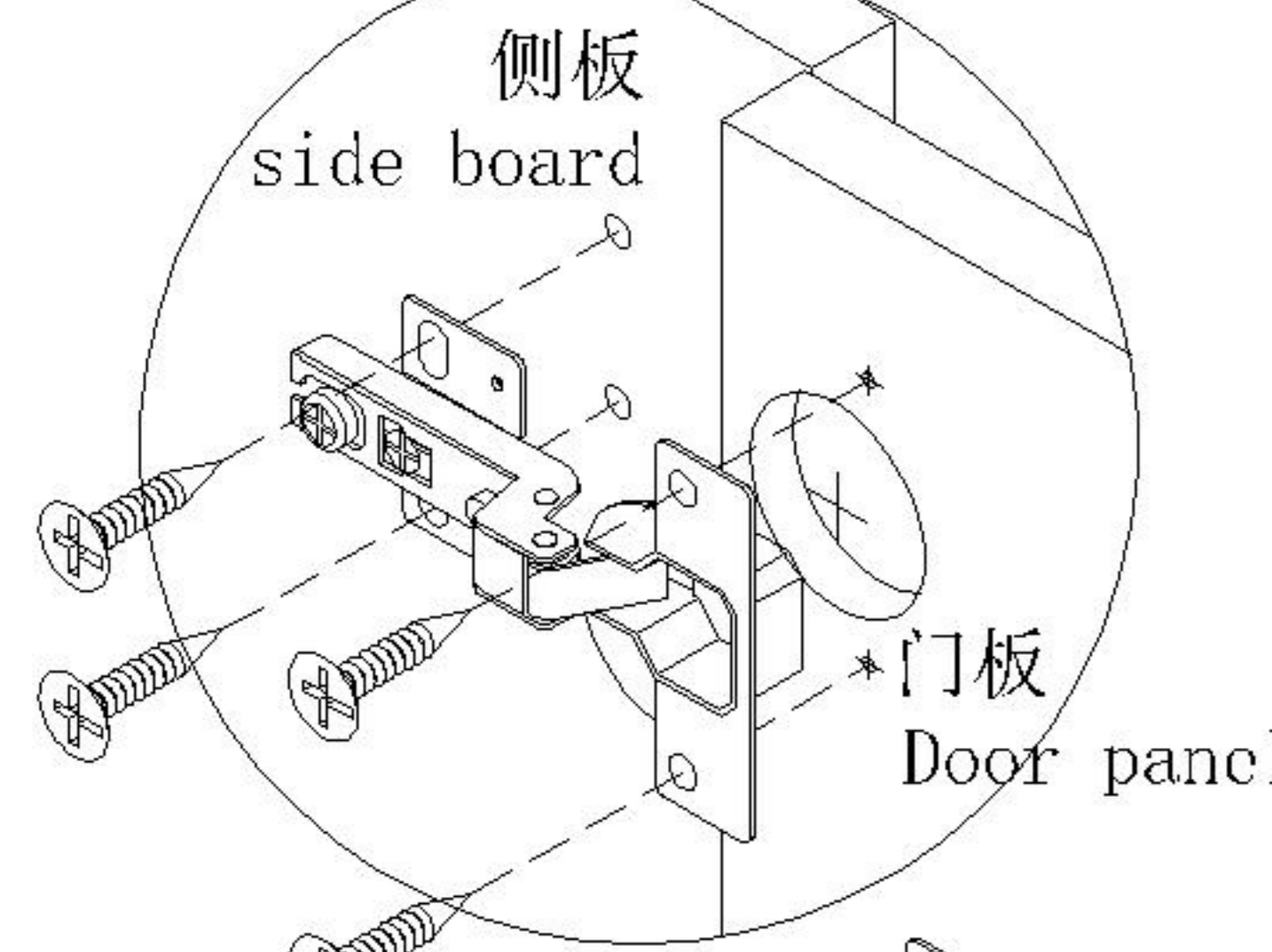
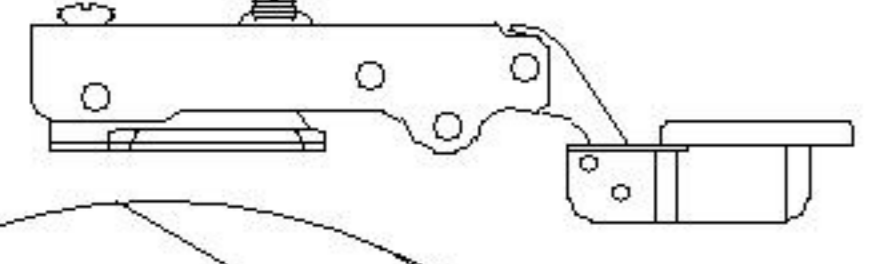
大弯big bend



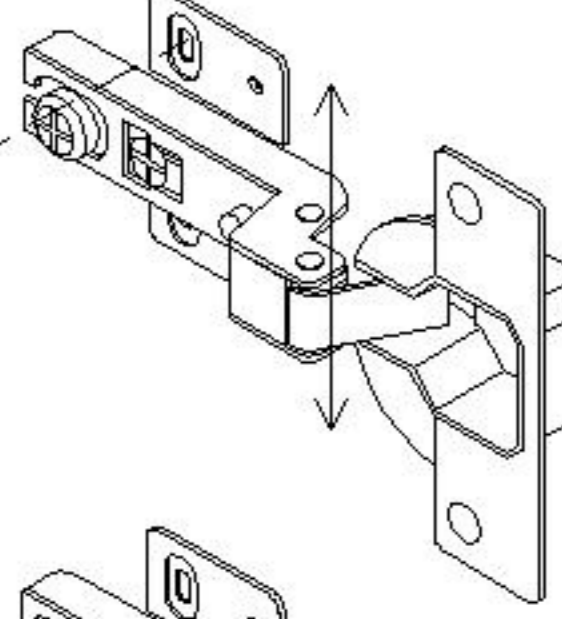
中弯middle bending



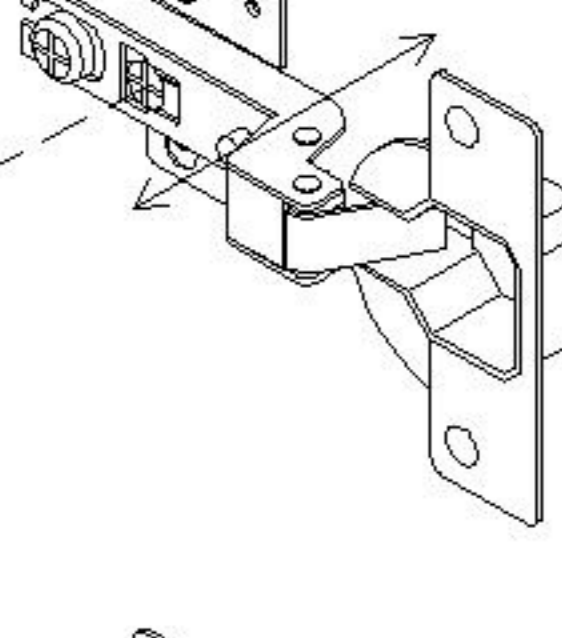
直弯straight bending



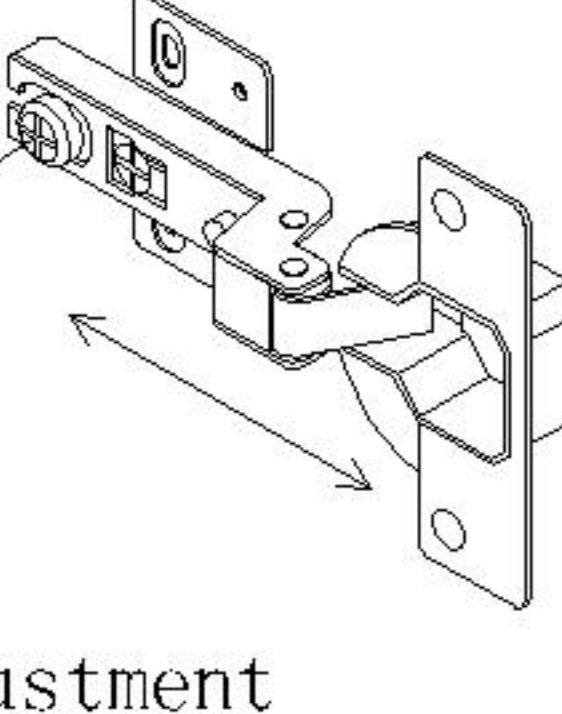
调节上下
Adjust up and down



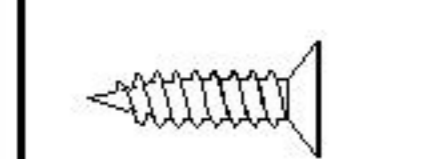
调节左右
Adjust left and right



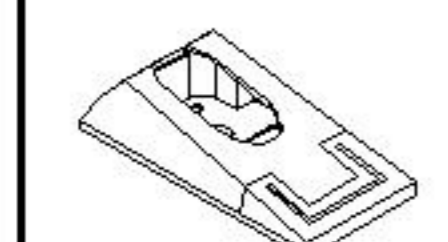
调节前后
Before and after adjustment



门铰
Hinge



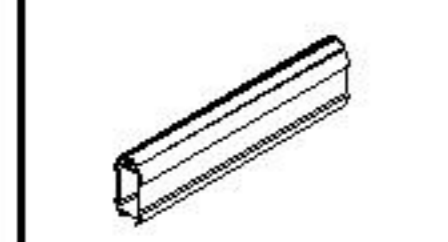
(E)*12



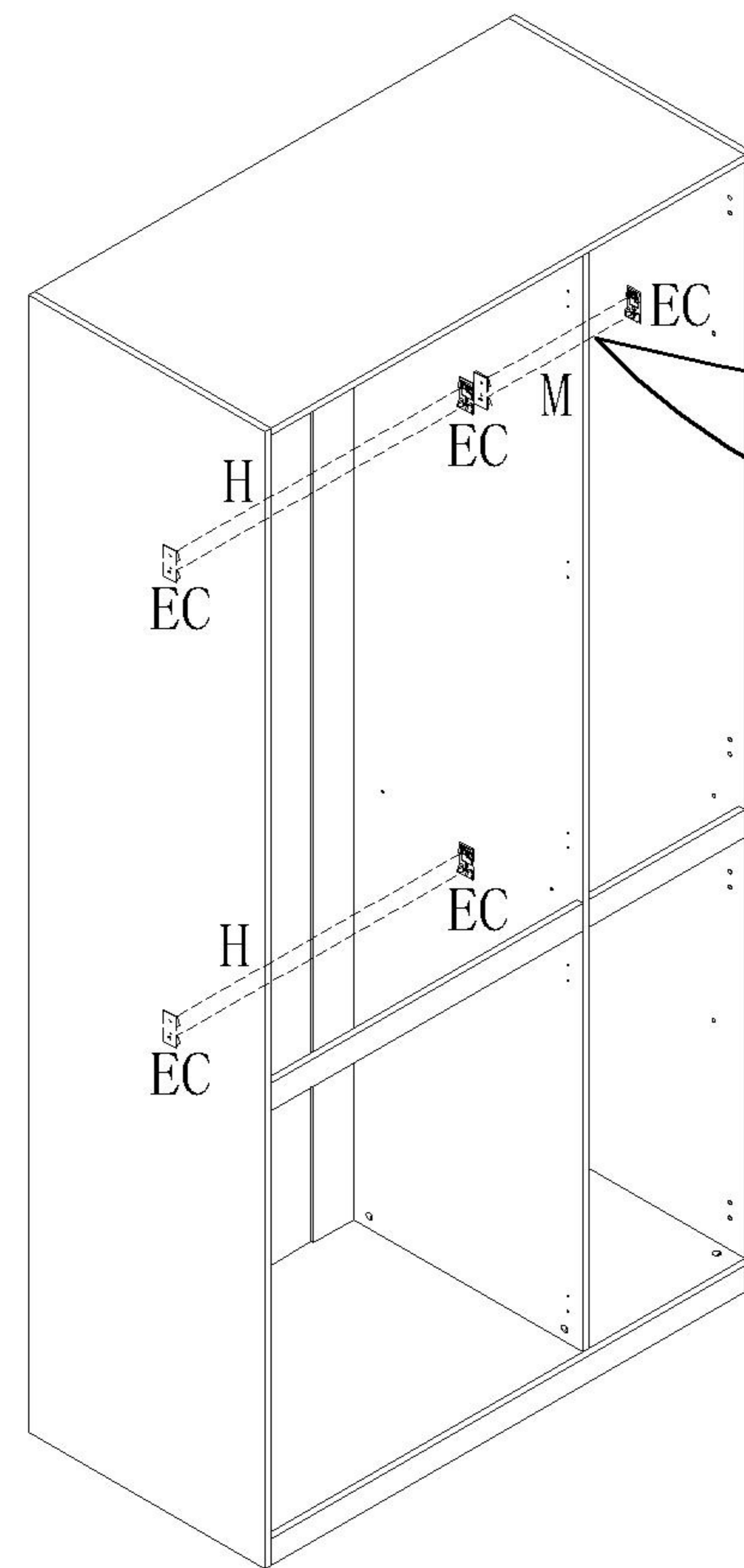
(C)*6



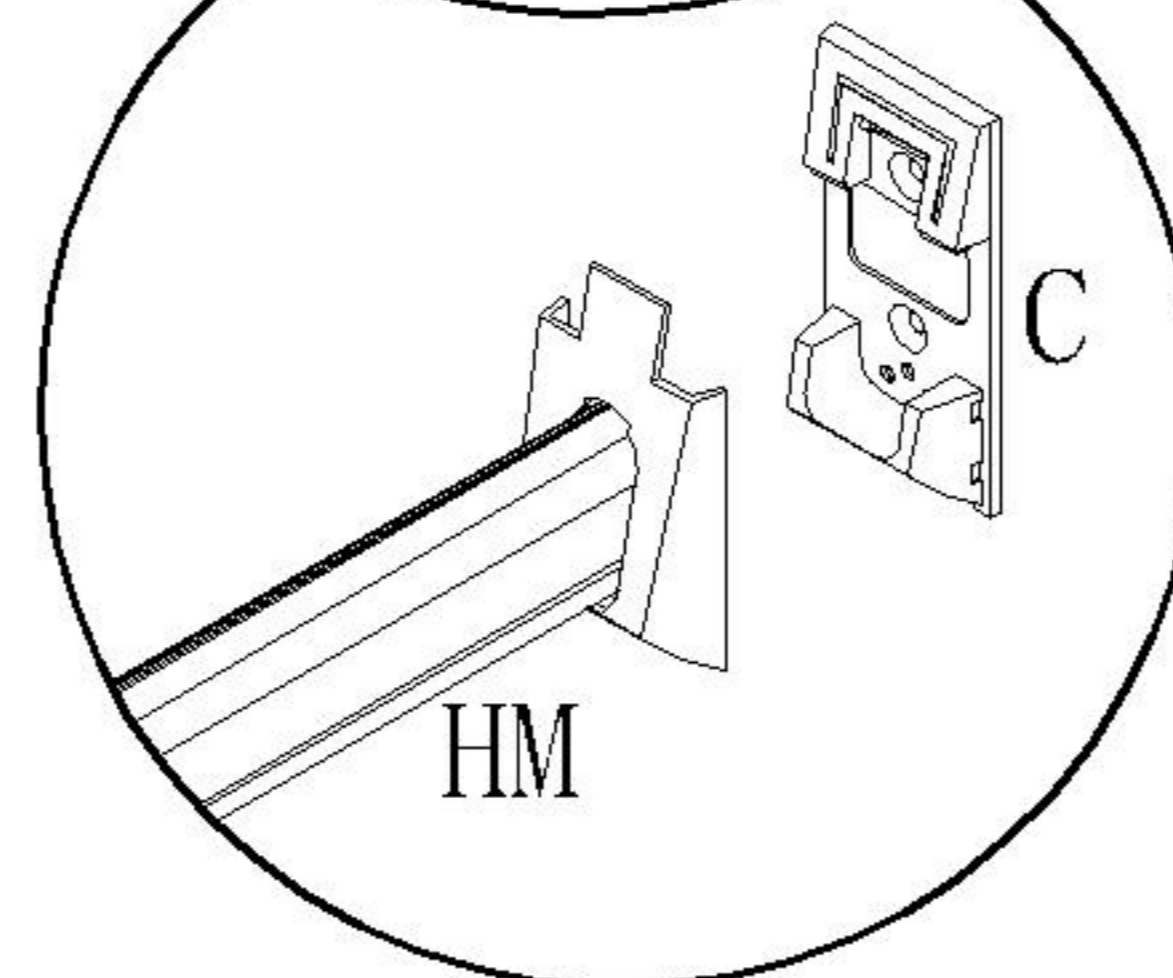
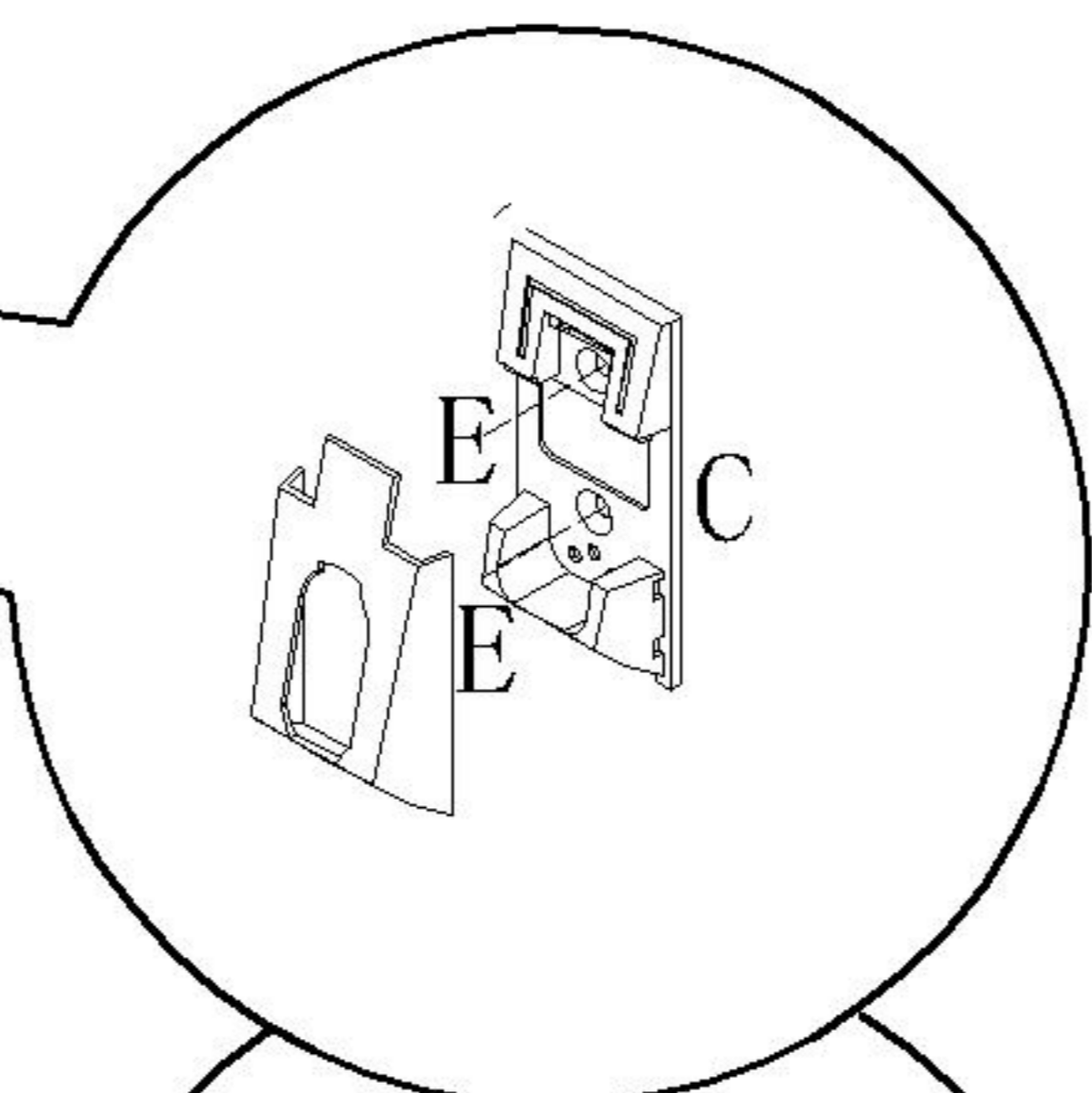
(H)*2



(M)*1



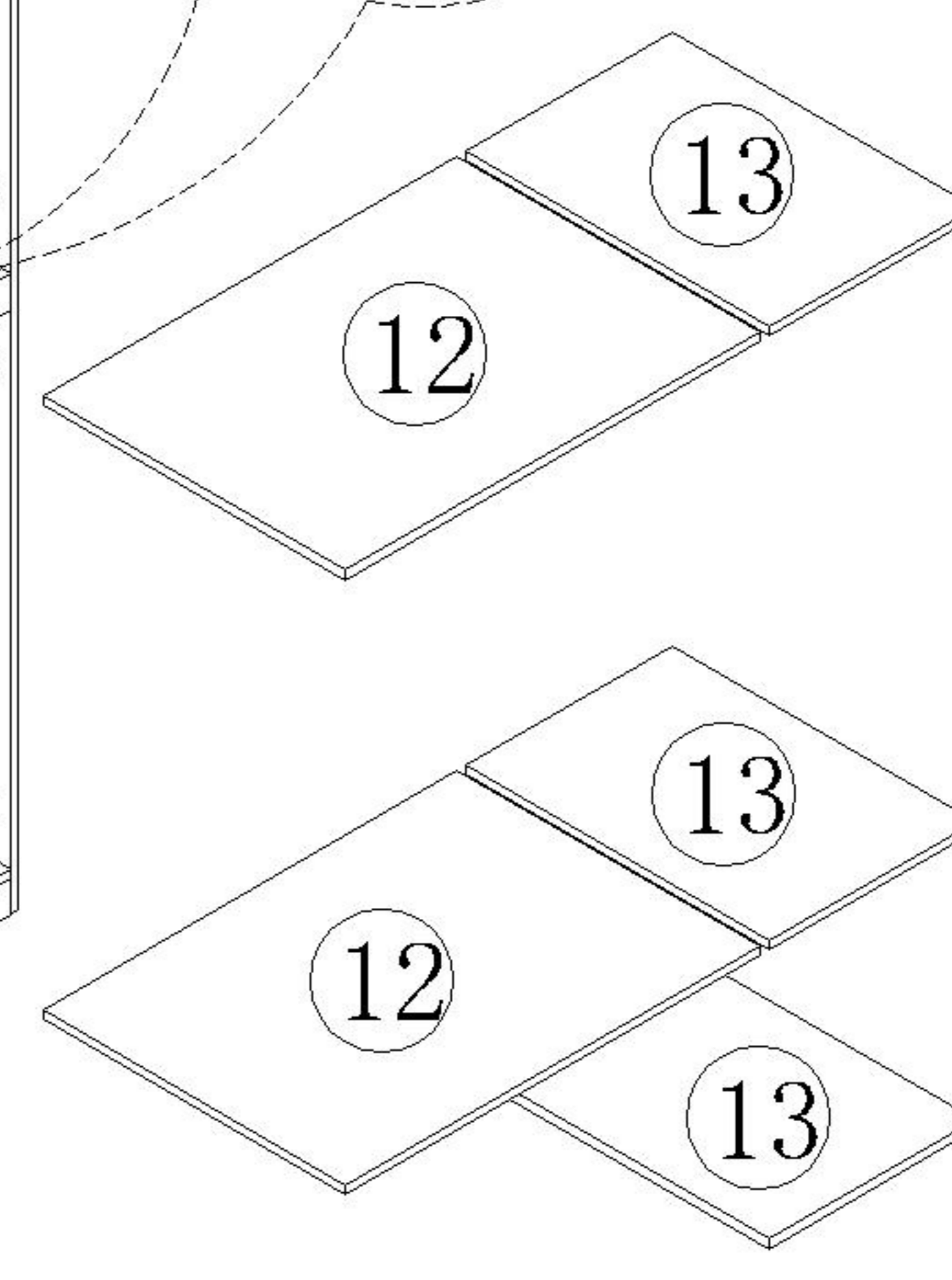
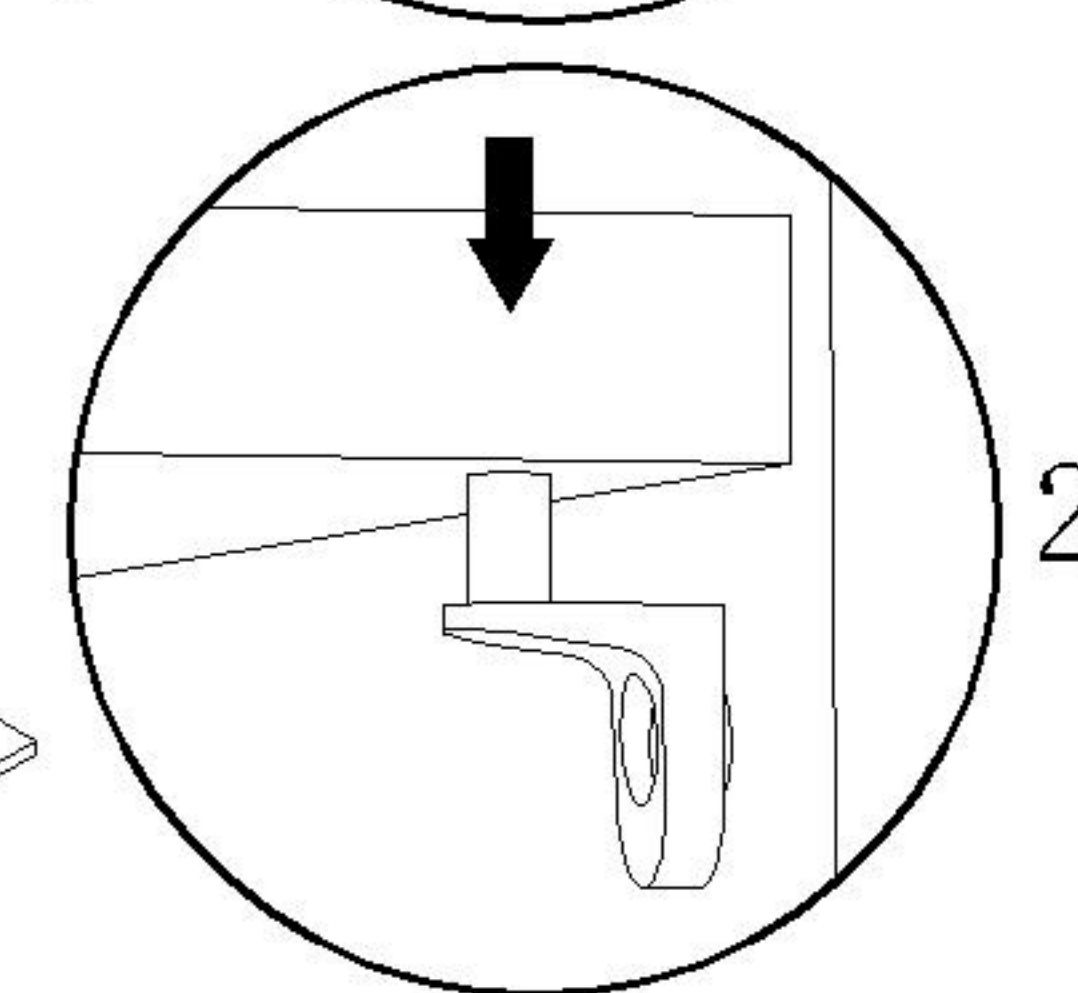
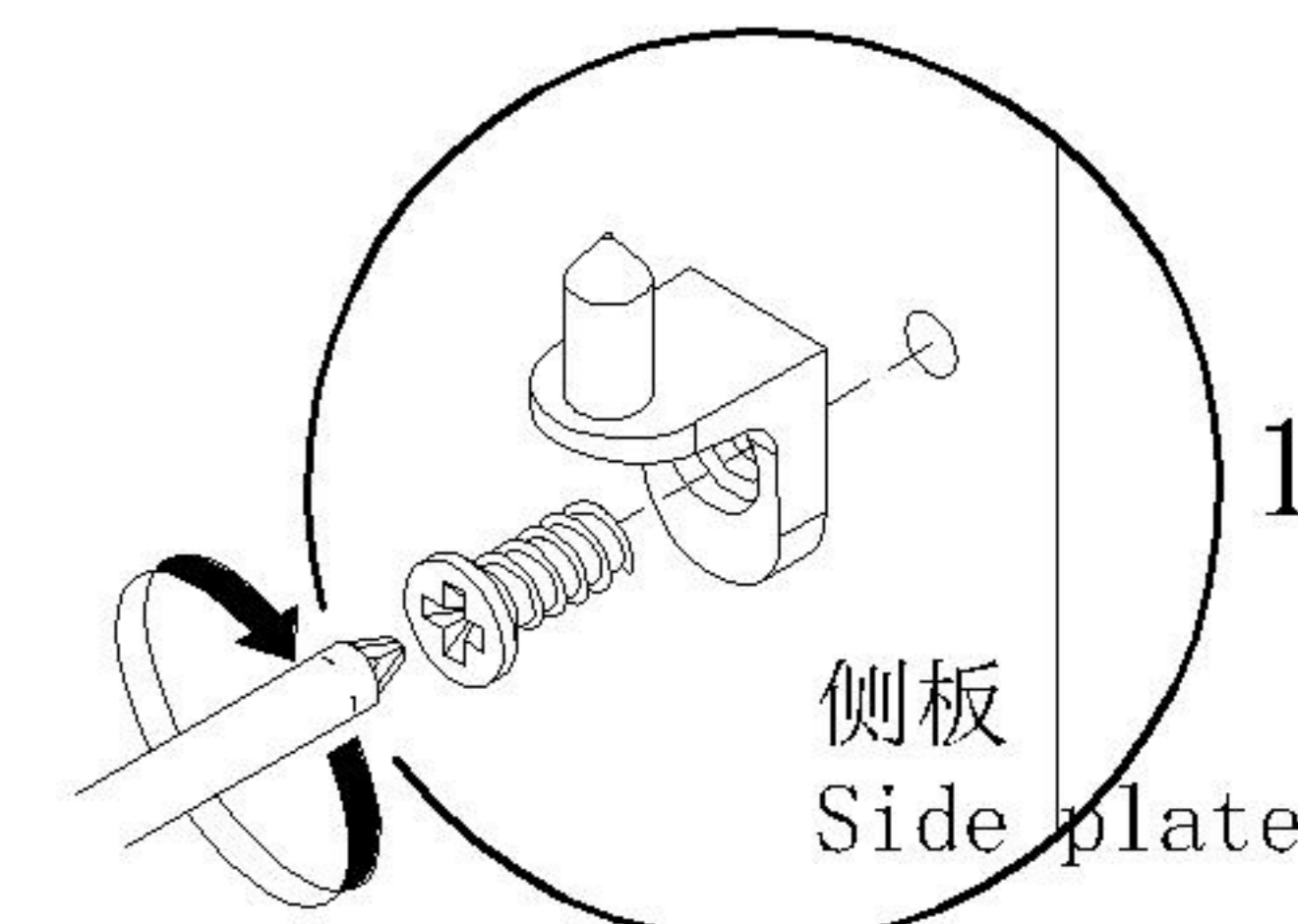
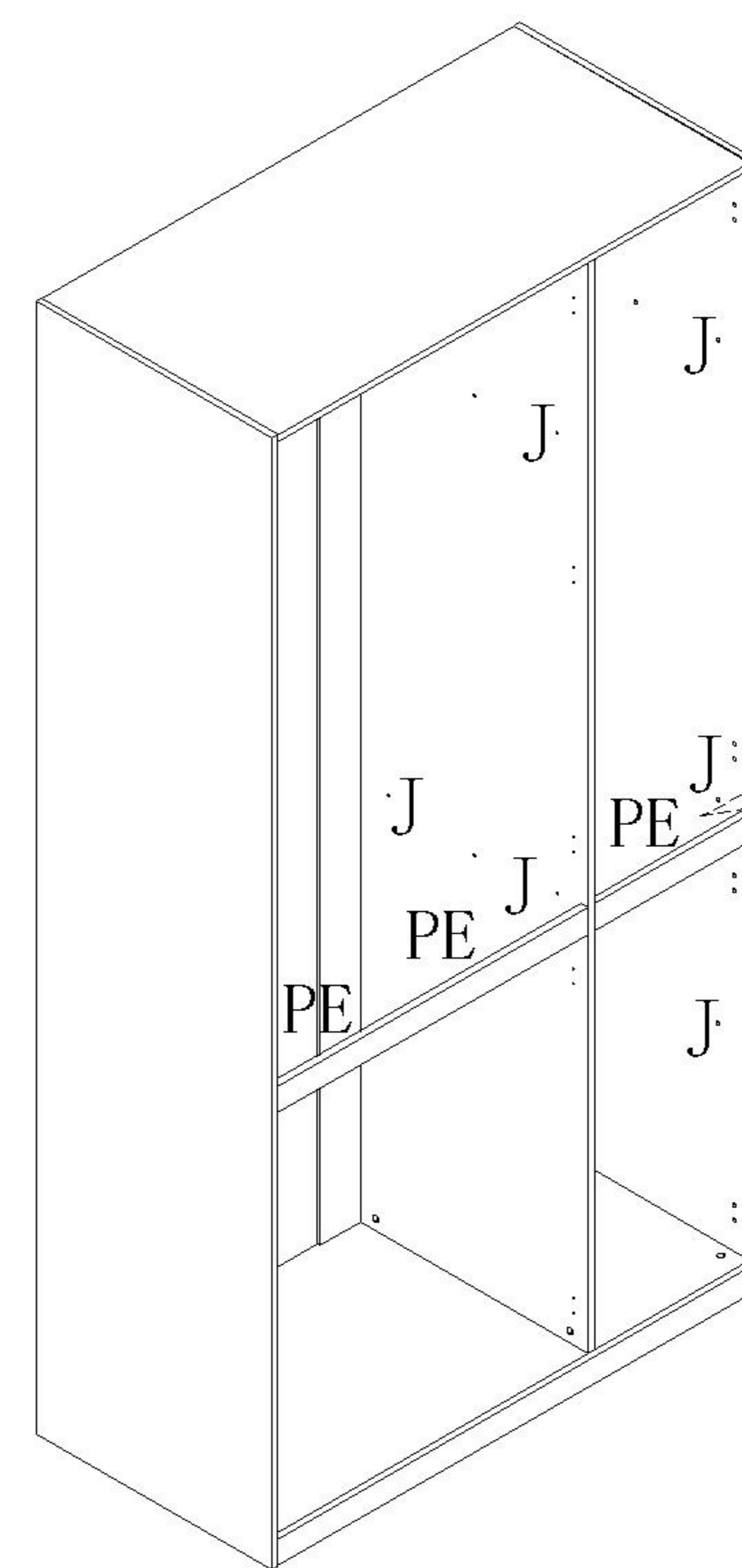
将五金C的盖子拆开再锁
Remove the cover of
hardware C and lock it



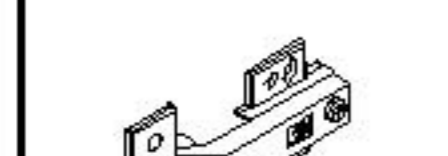
将五金HM套进五金C的盖子
再盖在五金C的底座上
Put hardware HM into the
cover of hardware C and
then cover the base of
hardware C

5

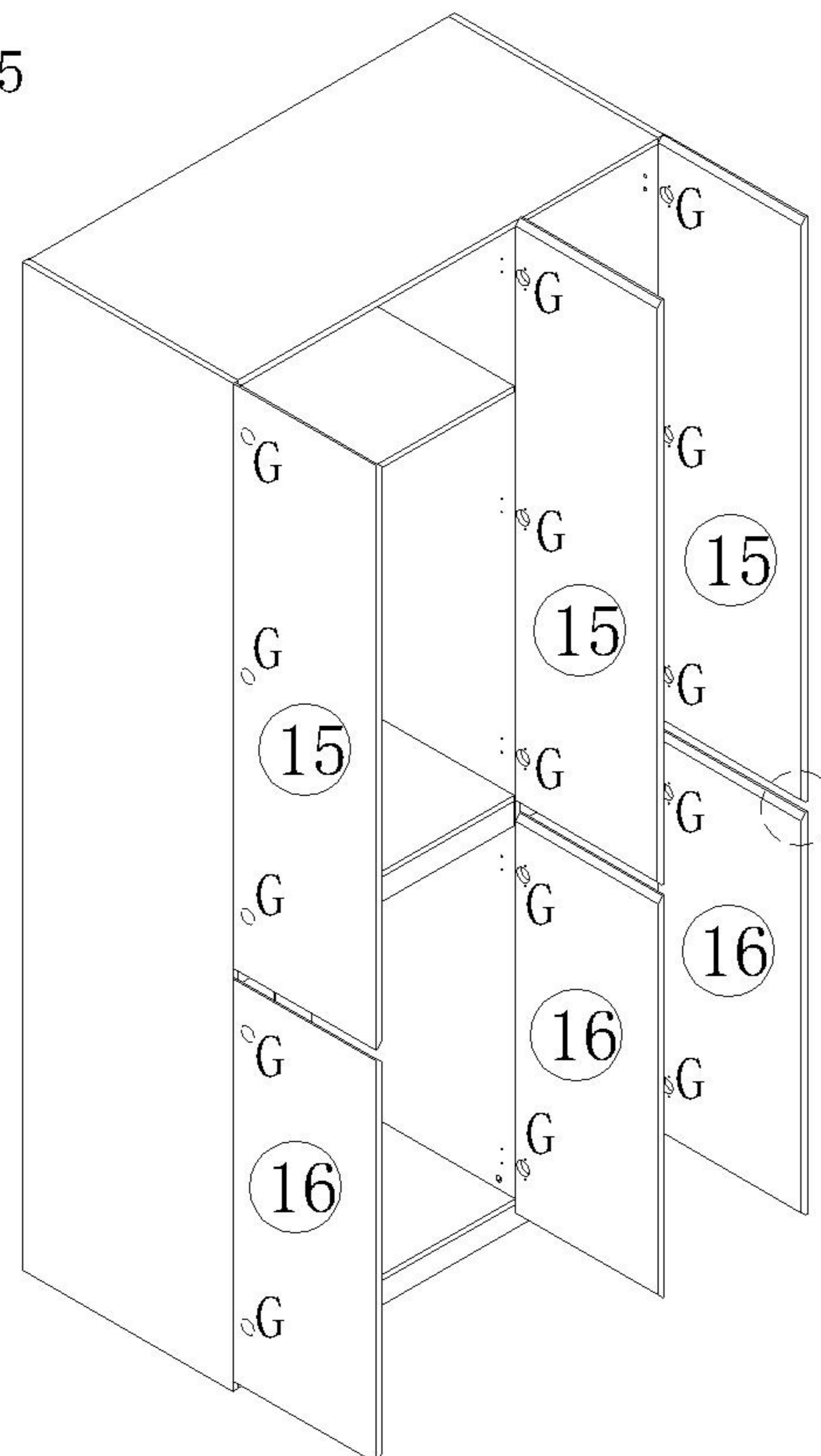
(J)*20 (P)*3 (E)*6



6



(G)*15



此处缝隙设计为开门板使用
小心夹伤
The gap here is designed for
use with door panels
Be careful of pinch injuries

7

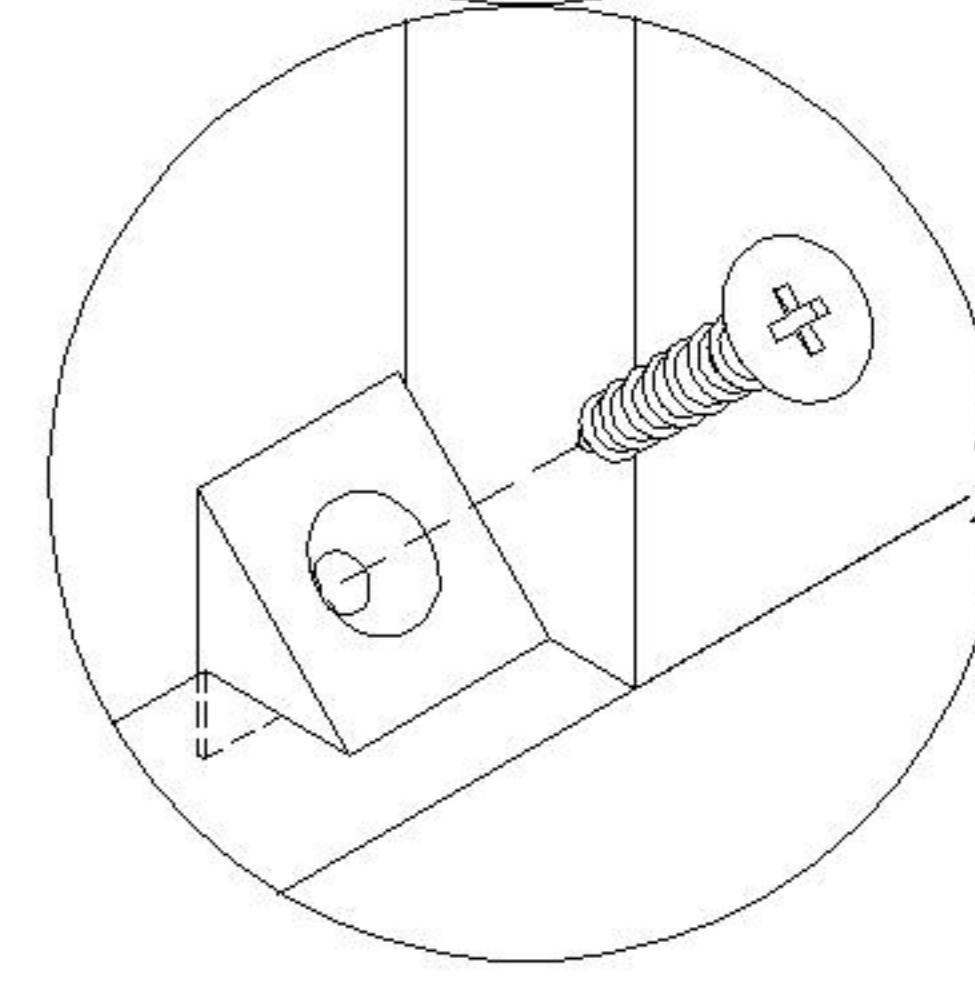
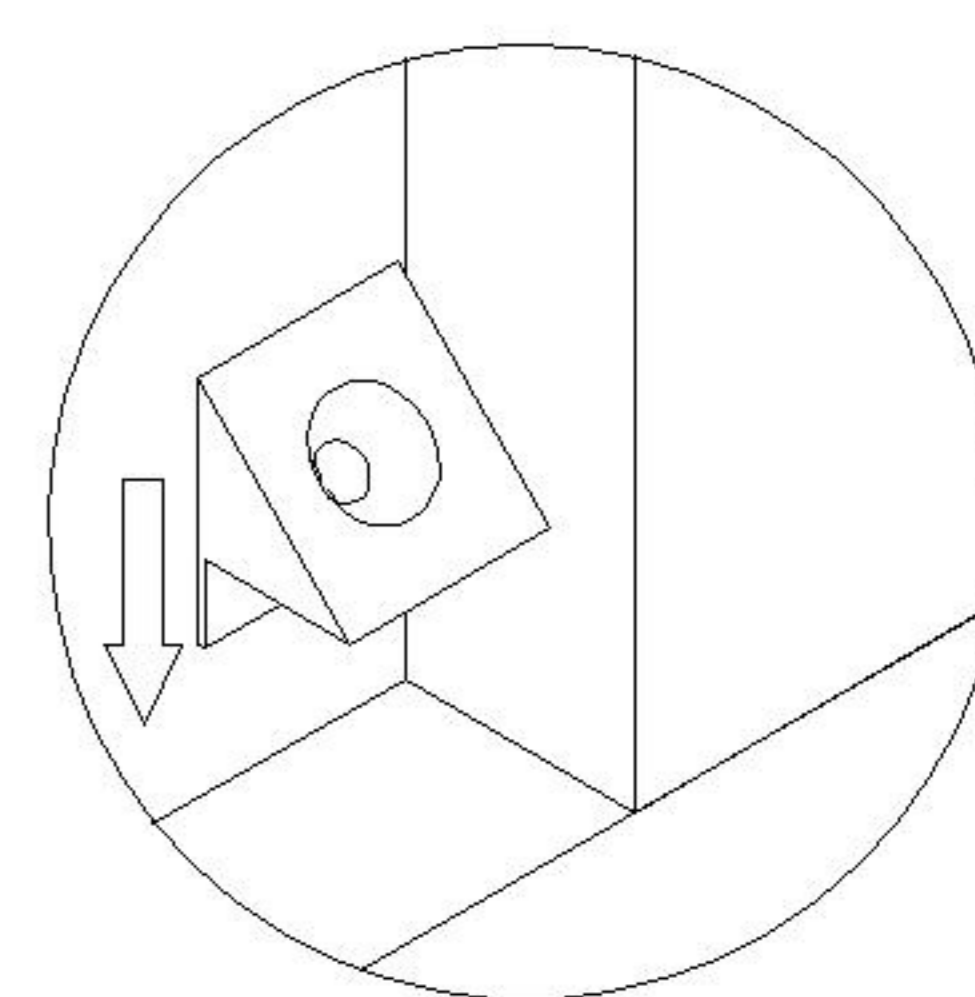
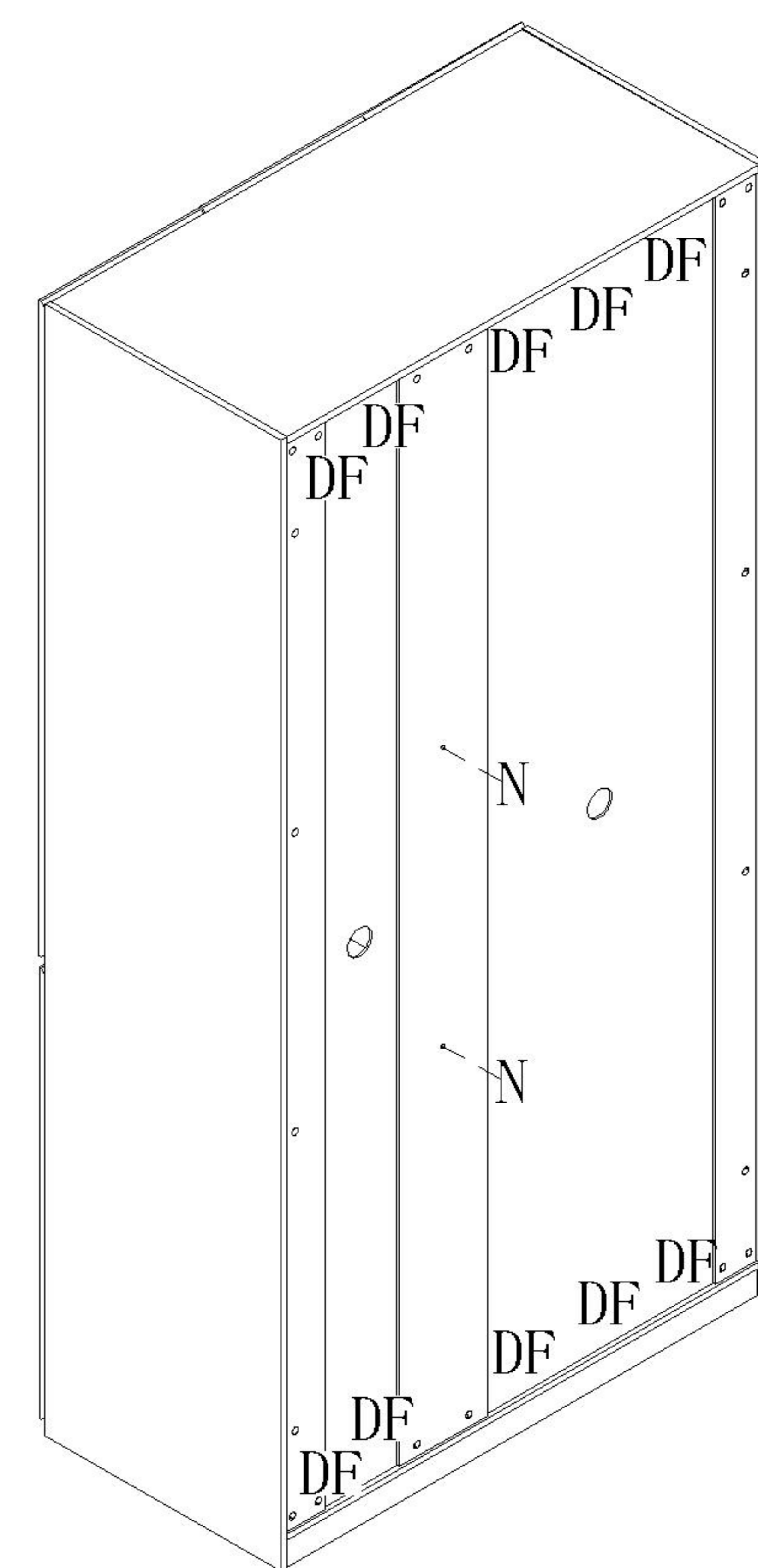
(D)*10



(F)*10



(N)*2



8