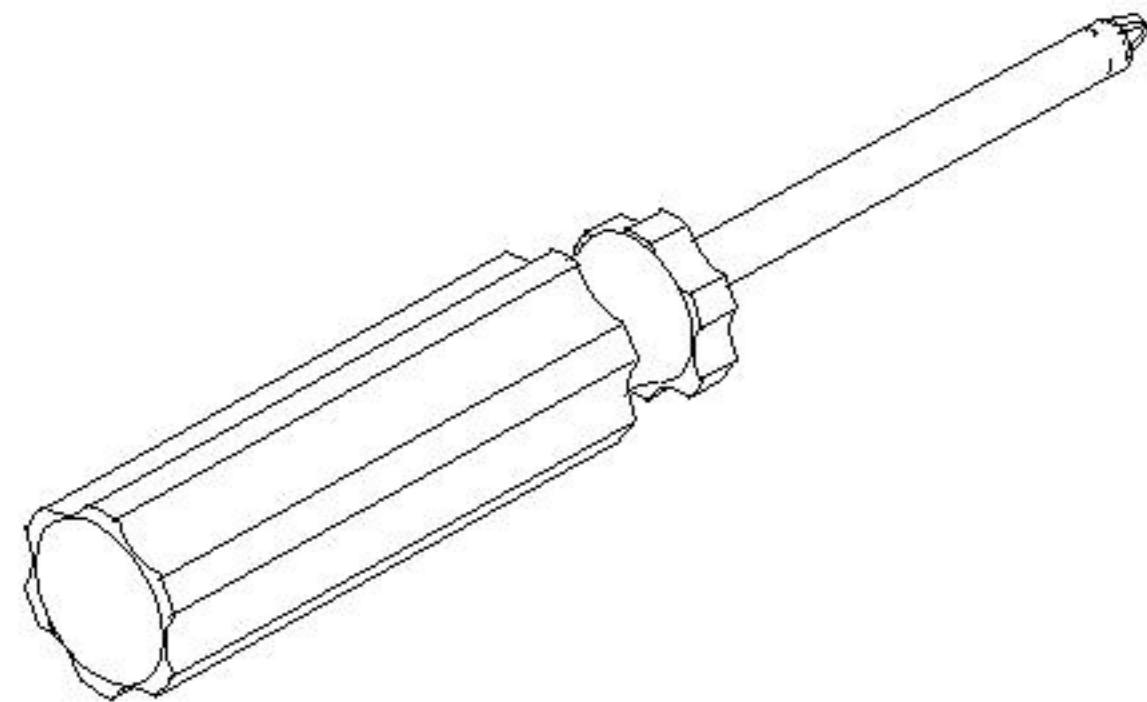
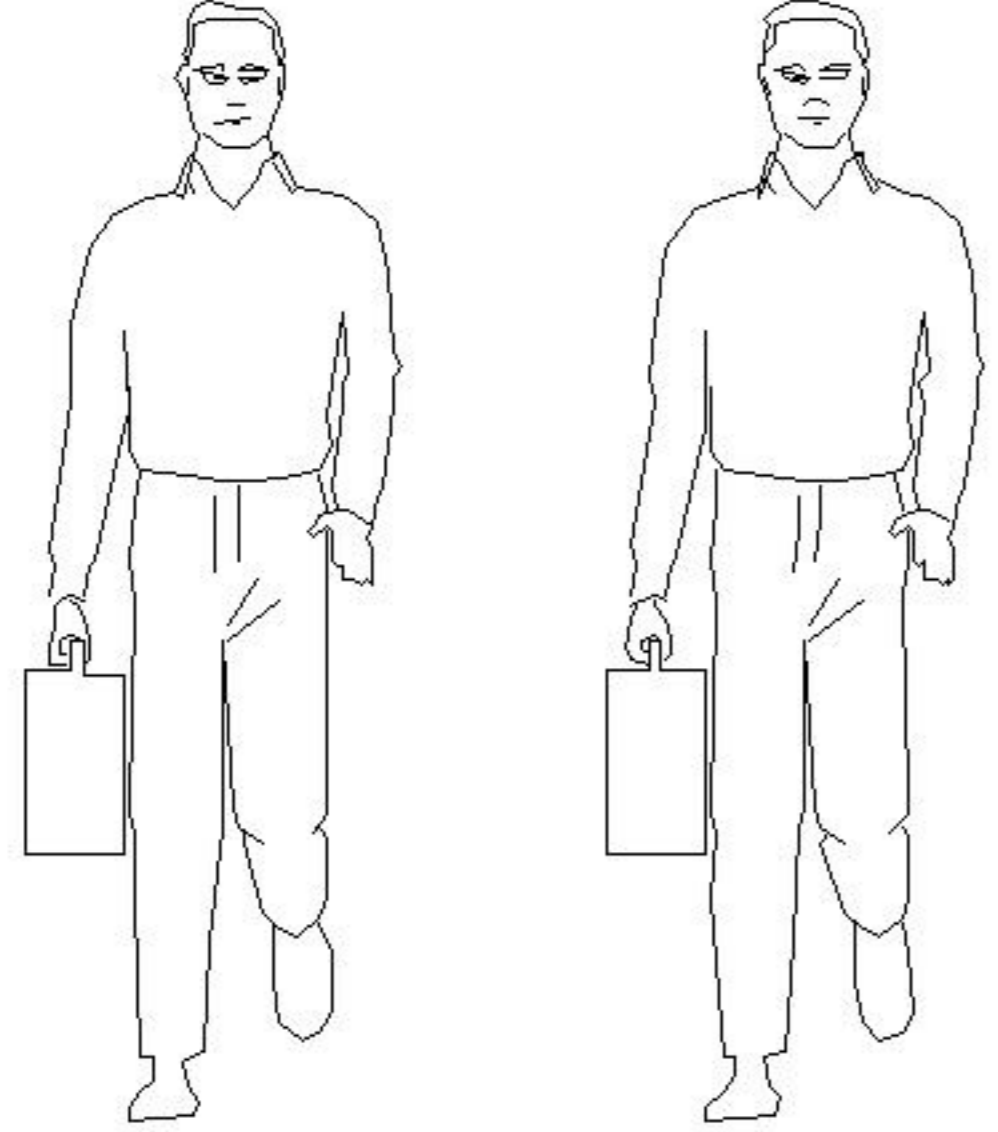
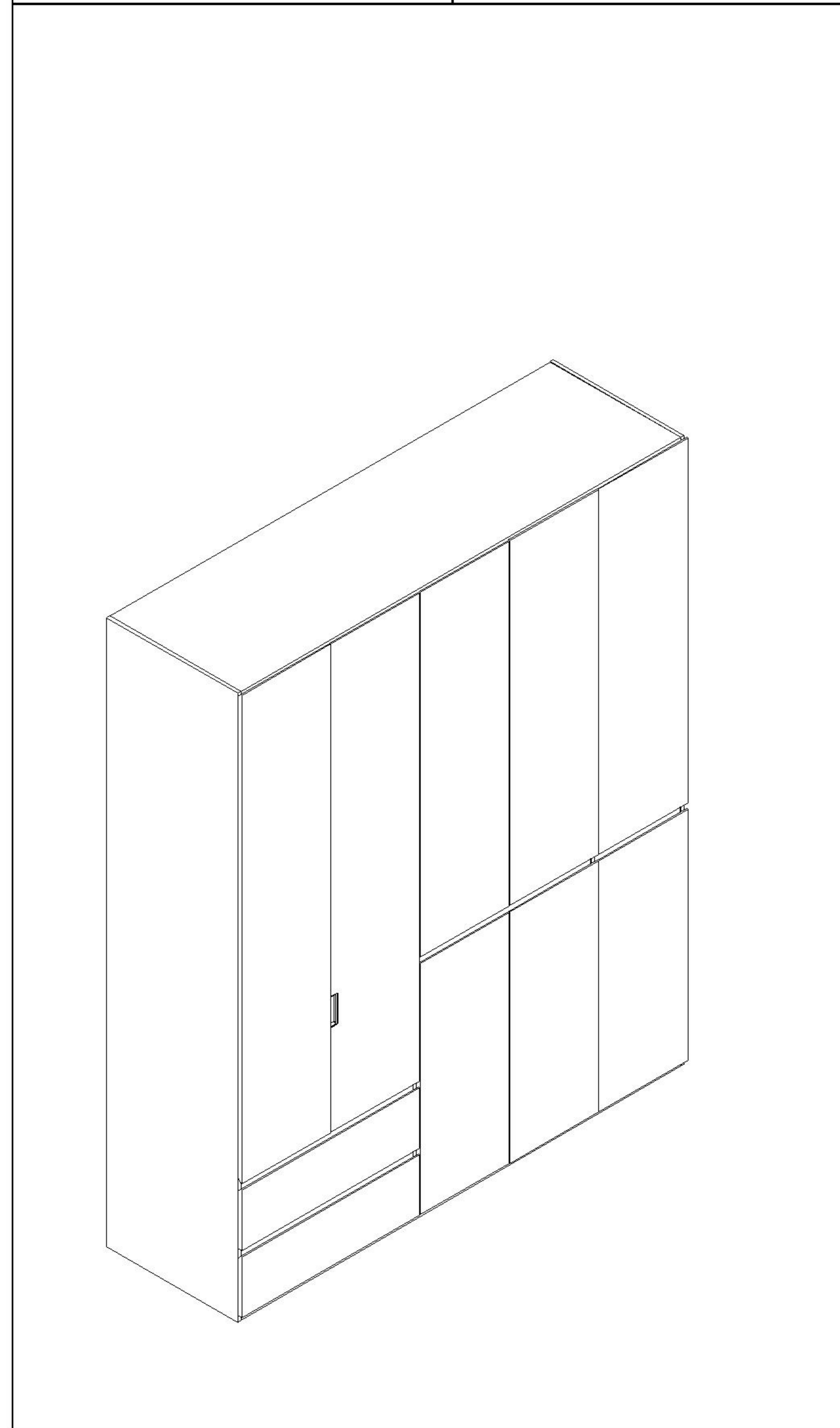
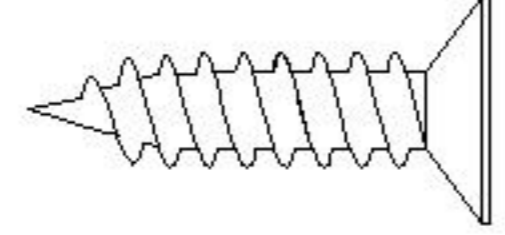
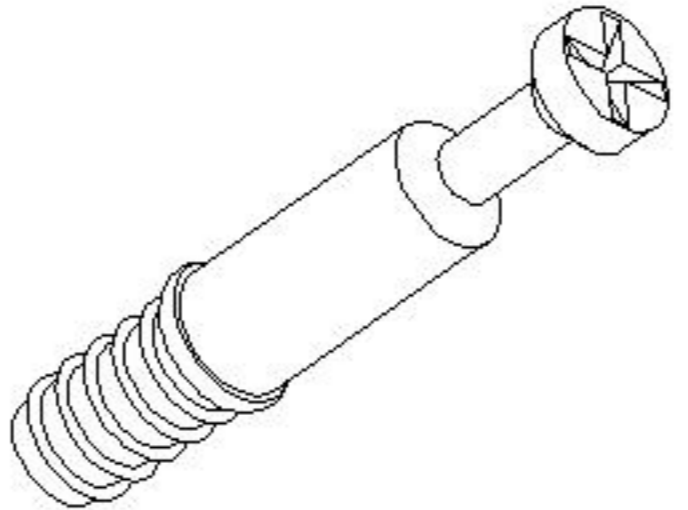
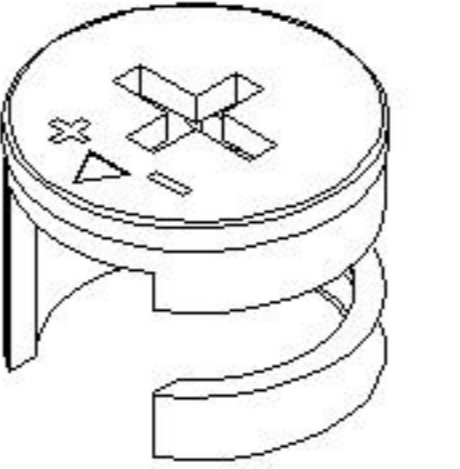
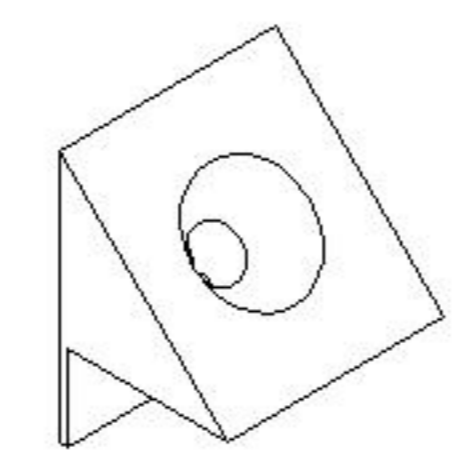
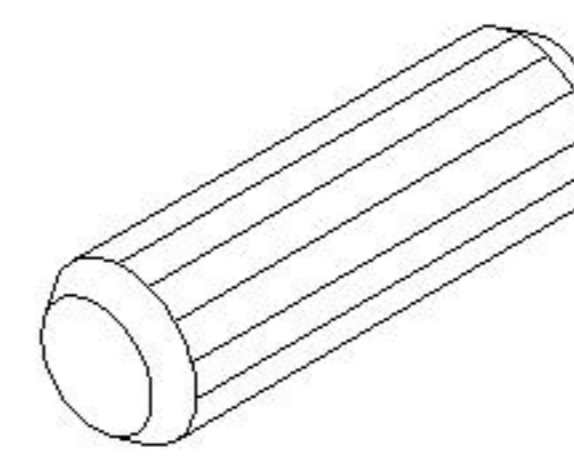
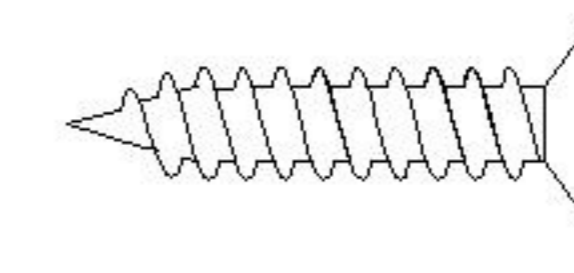
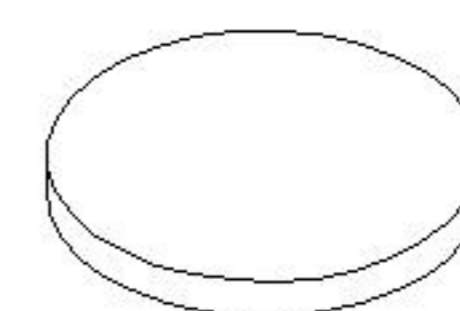
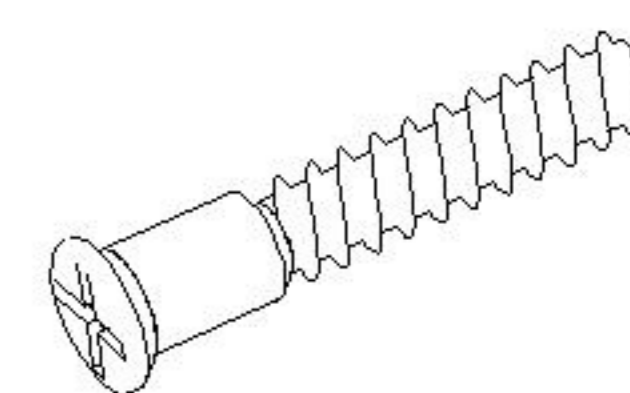
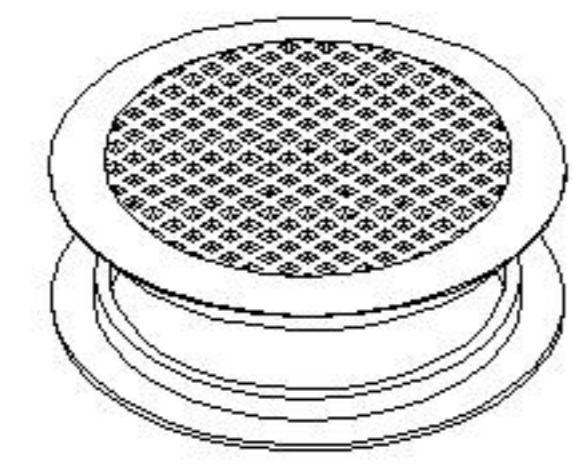
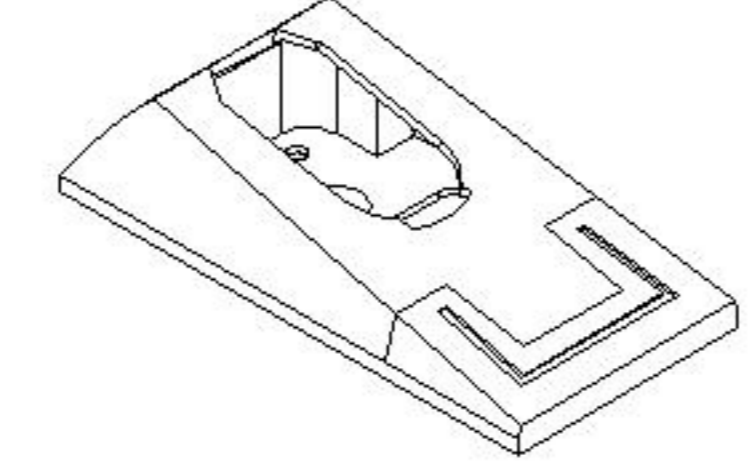
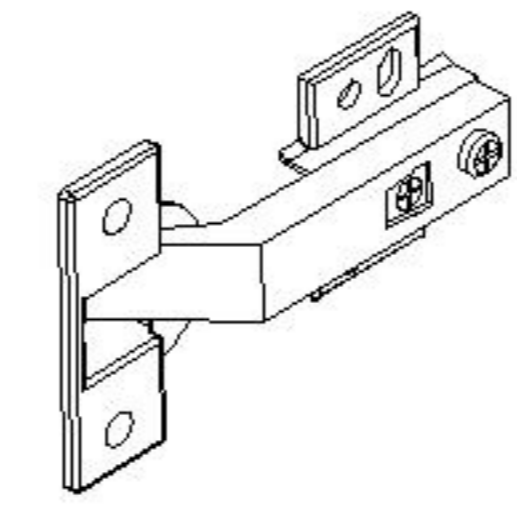
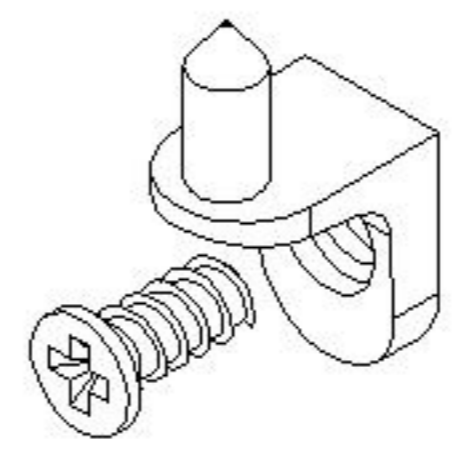
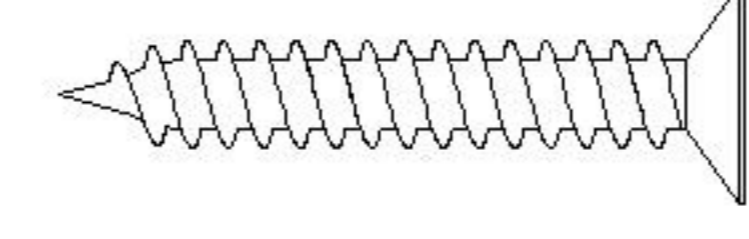
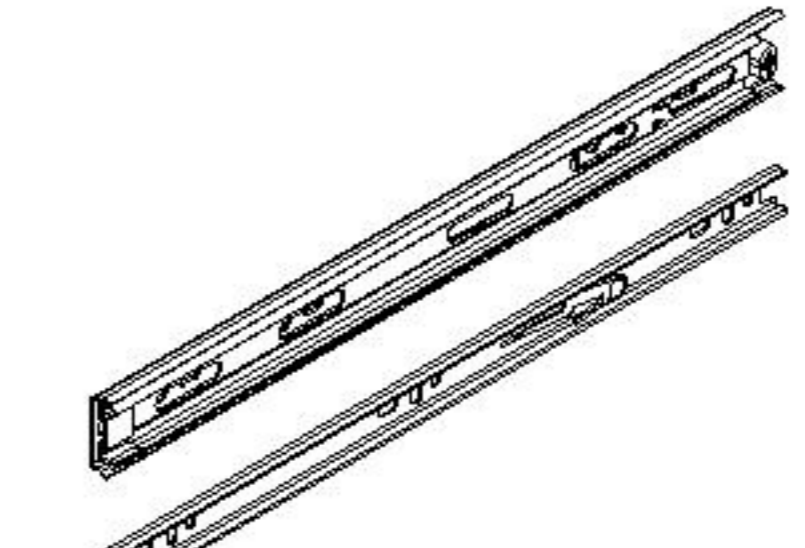
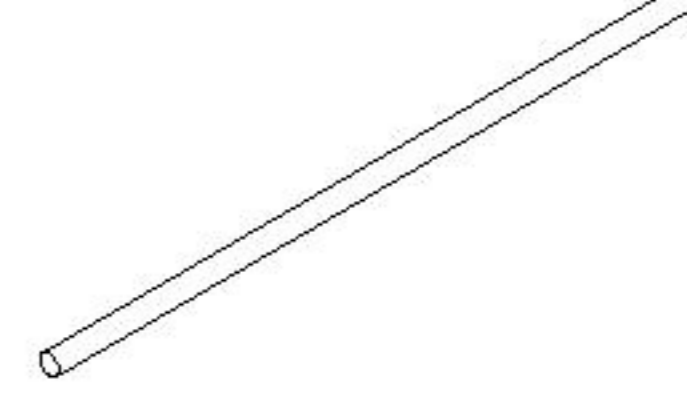
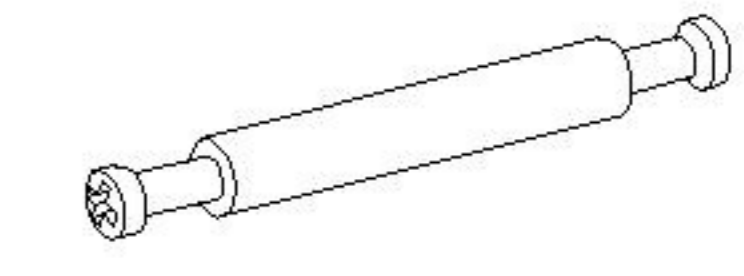
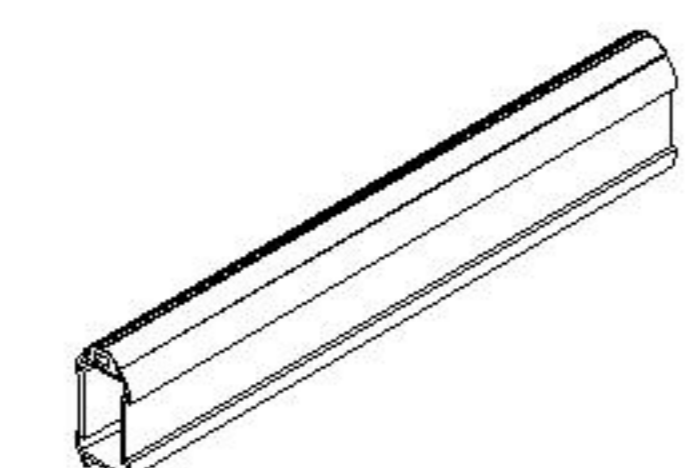
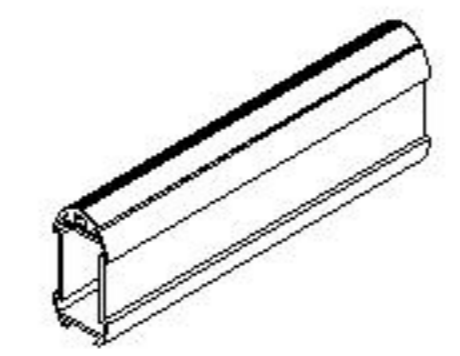



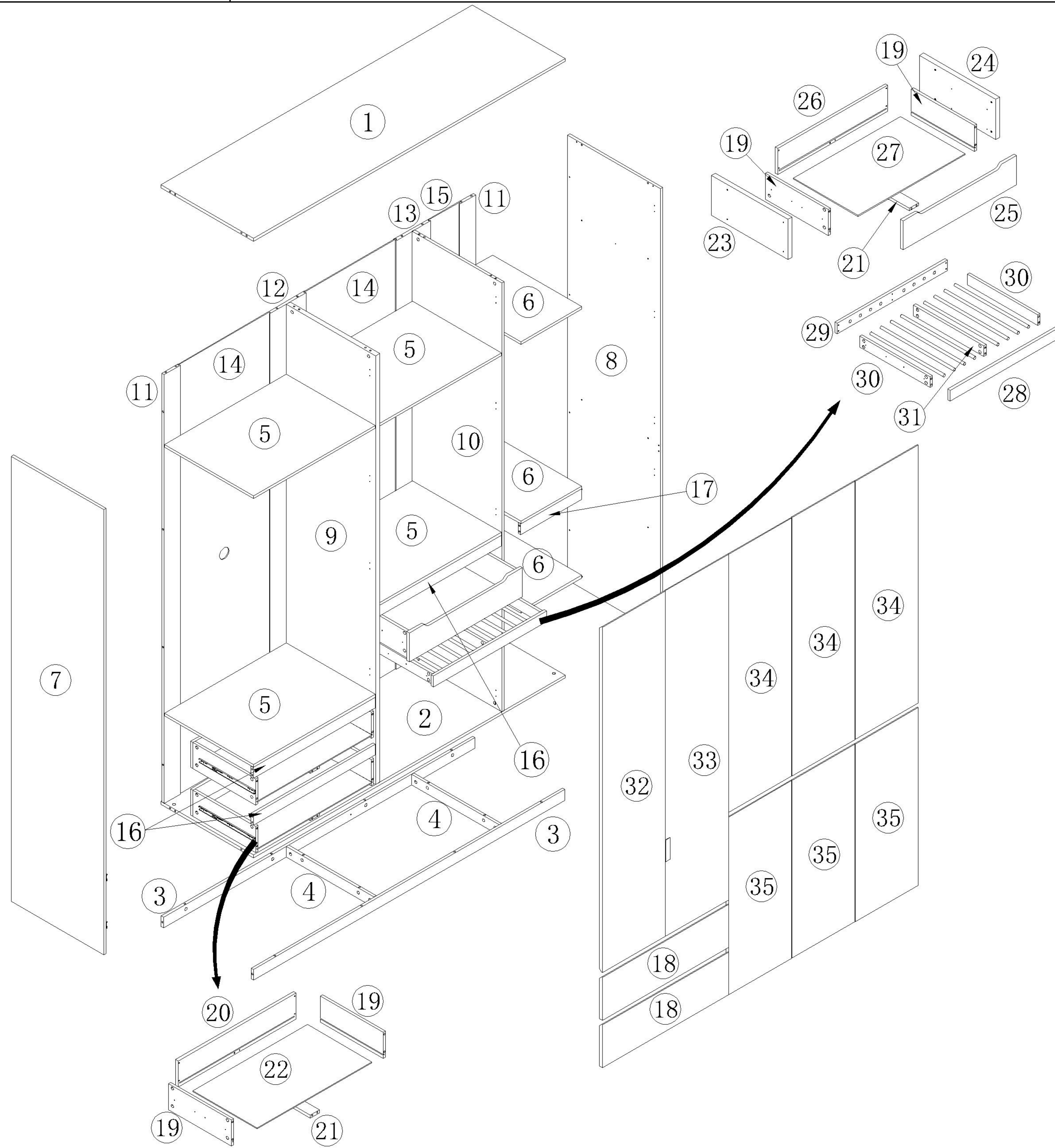
安装示意图/Assembly Instruction

产品名称 Model NO.	TR3D-A
产品规格 Specification	1985*600*2423MM
安装工具 Tool	安装人数 Installer
	



 (A)*82 白攻螺丝M3.5*12mm Tapping screw	 (B)*122 大三合一锁饼 3-in-1 large lock	 (C)*126 二合一螺杆 2-in-1-screw	 (D)*17 背板扣 White buckle	 (E)*21 木榫Ø8x30mm Wood tenon	 (F)*17 白攻螺丝M3.5*16mm Tapping screw	 (G)*16 灰色毛毡垫 Foot pad	 (H)*4 过山丝-M7x38mm Confirmat screw		
 (I)*3 胶盖-白色透气孔盖 white Cover with vent hole	 (J)*6 挂衣托 Clothes hanger	 (K)*23 直弯缓冲门铰-杯径Ø35 Straight bend hinge	 (L)*28 层板托5mm shelf support	 (M)*8 白攻螺丝M1*35mm Tapping screw	 (N)*4 三节滚珠导轨14" Three-section rail	 (O)*8 圆管-直径14*460-黑色 Black round tube	 (P)*2 双头三合一螺杆64mm Double head 3-in-1 screw		
 (Q)*2 挂衣杆-l=758mm Wood tenon	 (R)*1 挂衣杆l=375mm Wood tenon	 (S)*5 小角码-(14*21*1.5mm) Small bracket							

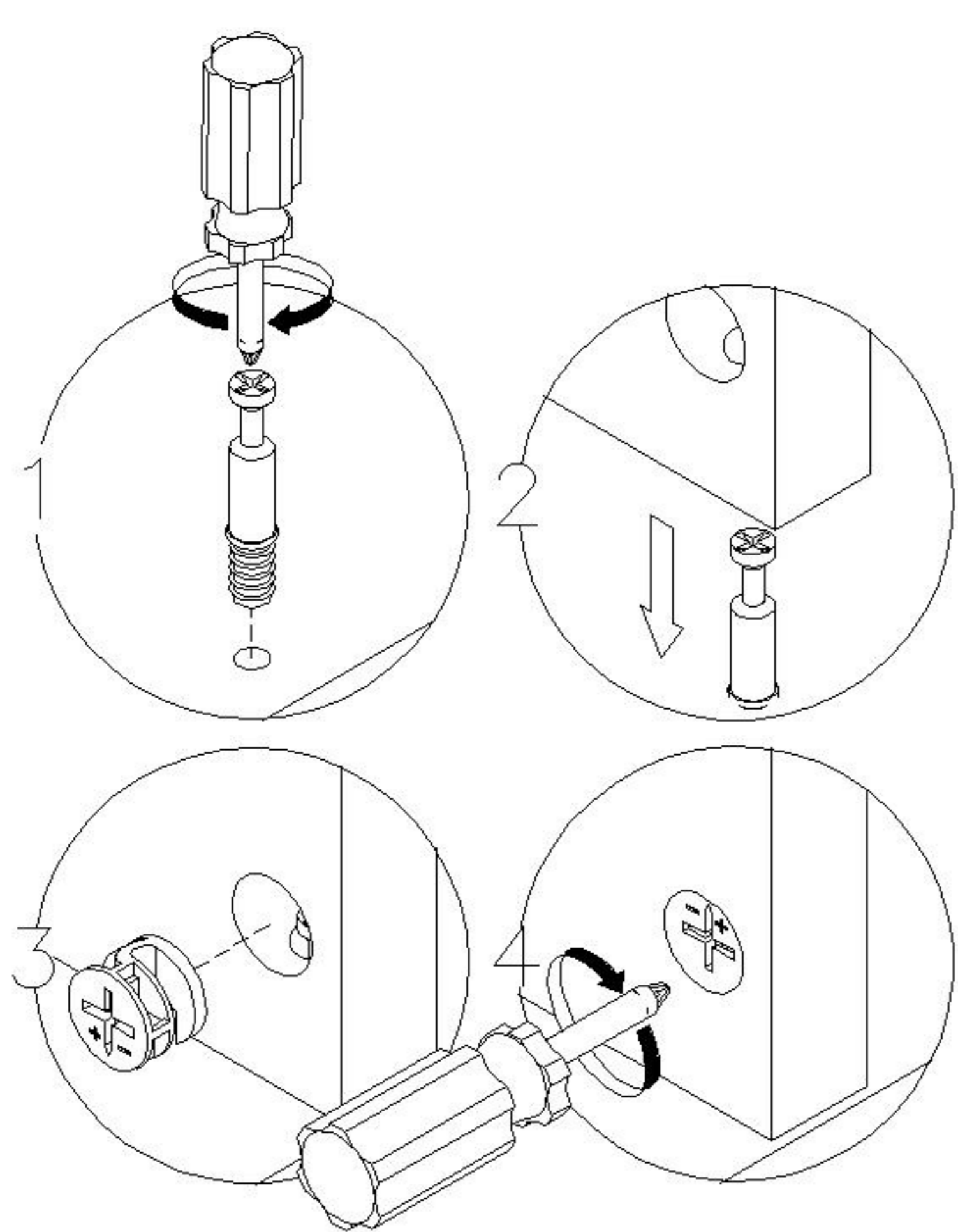
TR3D-A		部件表/Parts List				部件表/Parts List				
编号NO.	名称Name	规格(MM) Specification	数量QTY	材质Material	编号NO.	名称Name	规格(MM) Specification	数量QTY	材质Material	
①	顶板Top board	1955*582*15	1	人造板 WBP	②6	小抽屉后板Small drawer's back board	690*142*15	1	人造板 WBP	
②	底板Bottom board	1955*582*15	1	人造板 WBP	②7	小抽屉底板Small drawer bottom plate	670*405*5	1	人造板 WBP	
③	前脚条Front foot strip	1955*58*15	2	人造板 WBP	②8	裤架面板Trousers rack panel	711*58*15	1	人造板 WBP	
④	中脚条Middle foot strip	550*58*15	2	人造板 WBP	②9	裤架后板Trousers rack rear board	690*58*15	1	人造板 WBP	
⑤	大层板Big shelf	765*560*15	4	人造板 WBP	③0	裤架侧板Pant frame side panel	442*58*15	2	人造板 WBP	
⑥	小层板Small shelf	382*560*15	3	人造板 WBP	③1	中拉条Brace	442*58*15	1	人造板 WBP	
⑦	左侧板Side board(L)	2420*582*15	1	人造板 WBP	③2	左门板Door board(L)	1879*395*18	1	人造板 WBP	
⑧	右侧板Side board(R)	2420*582*15	1	人造板 WBP	③3	中门板 Middle door board	1879*395*18	1	人造板+五金 WBP+Hardware	
⑨	左中侧板Middle side board(L)	2331*562*25	1	人造板 WBP	③4	右上门板Upper door panel (R)	1404*395*18	3	人造板 WBP	
⑩	右中侧板Middle side board(R)	2331*562*15	1	人造板 WBP	③5	右下门板Lower door board (R)	966*395*18	3	人造板 WBP	
⑪	边背拉条Side back brace	2331*101*15	2	人造板 WBP						
⑫	背拉条Back brace	2331*228*15	1	人造板 WBP						
⑬	右背拉条Right back brace	2331*218*15	1	人造板 WBP						
⑭	大背板Big backboard	2341*575*5	2	人造板 WBP						
⑮	小背板Small backboard	2341*192*5	1	人造板 WBP						
⑯	拉条Brace	766*58*15	3	人造板 WBP						
⑰	短拉条Short brace	383*58*15	1	人造板 WBP						
⑱	抽屉面板Drawer panel	792*233*18	2	人造板 WBP						
⑲	抽屉侧板Drawer's sideboard	395*142*15	6	人造板 WBP						
⑳	抽屉后板Drawer's Back board	740*142*15	2	人造板 WBP						
㉑	抽屉底托条Drawer's bottom bracket	395*58*15	3	人造板 WBP						
㉒	抽屉底板Drawer's Bottom board	720*405*5	2	人造板 WBP						
㉓	附柜左侧板Sideboard of attached cabinet(L)	480*234*25	1	人造板 WBP						
㉔	附柜右侧板Sideboard of attached cabinet(R)	480*234*25	1	人造板 WBP						
㉕	小抽屉面板Small drawer's panel	711*158*15	1	人造板 WBP						



编号NO.	名称Name	编号NO.	名称Name
①	顶板Top board	②⑥	小抽屉后板Small drawer's back board
②	底板Bottom board	②⑦	小抽屉底板Small drawer bottom plate
③	前脚条Front foot strip	②⑧	裤架面板Trousers rack panel
④	中脚条Middle foot strip	②⑨	裤架后板Trousers rack rear board
⑤	大层板Big shelf	③⑩	裤架侧板Pant frame side panel
⑥	小层板Small shelf	③①	中拉条Brace
⑦	左侧板Side board(L)	③②	左门板Door board(L)
⑧	右侧板Side board(R)	③③	中门板 Middle door board
⑨	左中侧板Middle side board(L)	③④	右上门板Upper door panel (R)
⑩	右中侧板Middle side board(R)	③⑤	右下门板Lower door board (R)
⑪	边背拉条Side back brace		
⑫	背拉条Back brace		
⑬	右背拉条Right back brace		
⑭	大背板Big backboard		
⑮	小背板Small backboard		
⑯	拉条Brace		
⑰	短拉条Short brace		
⑱	抽屉面板Drawer panel		
⑲	抽屉侧板Drawer's sideboard		
⑳	抽屉后板Drawer's Back board		
㉑	抽屉底托条Drawer's bottom bracket		
㉒	抽屉底板Drawer's Bottom board		
㉓	附柜左侧板Sideboard of attached cabinet(L)		
㉔	附柜右侧板Sideboard of attached cabinet(R)		
㉕	小抽屉面板Small drawer's panel		

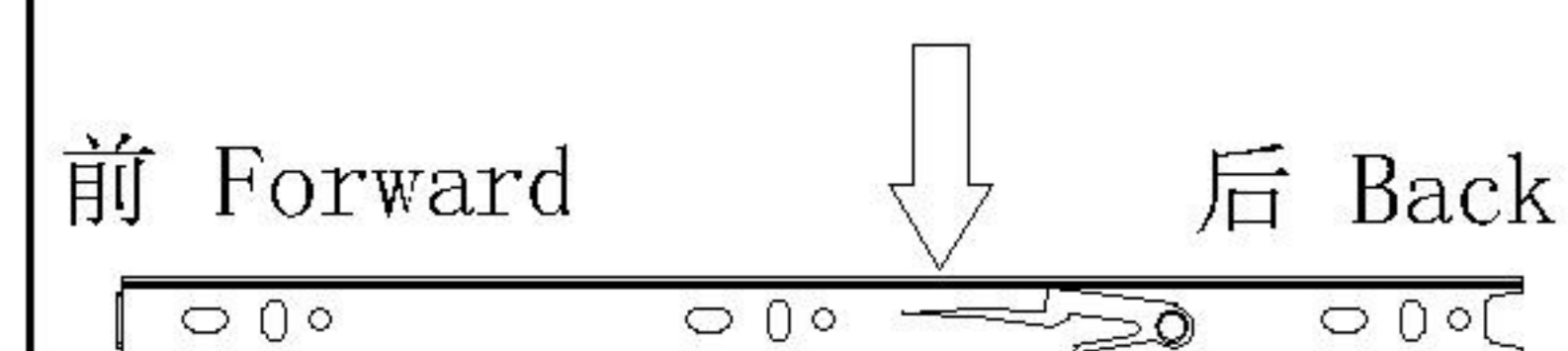
TR3D-A

安装方法/
Installation method

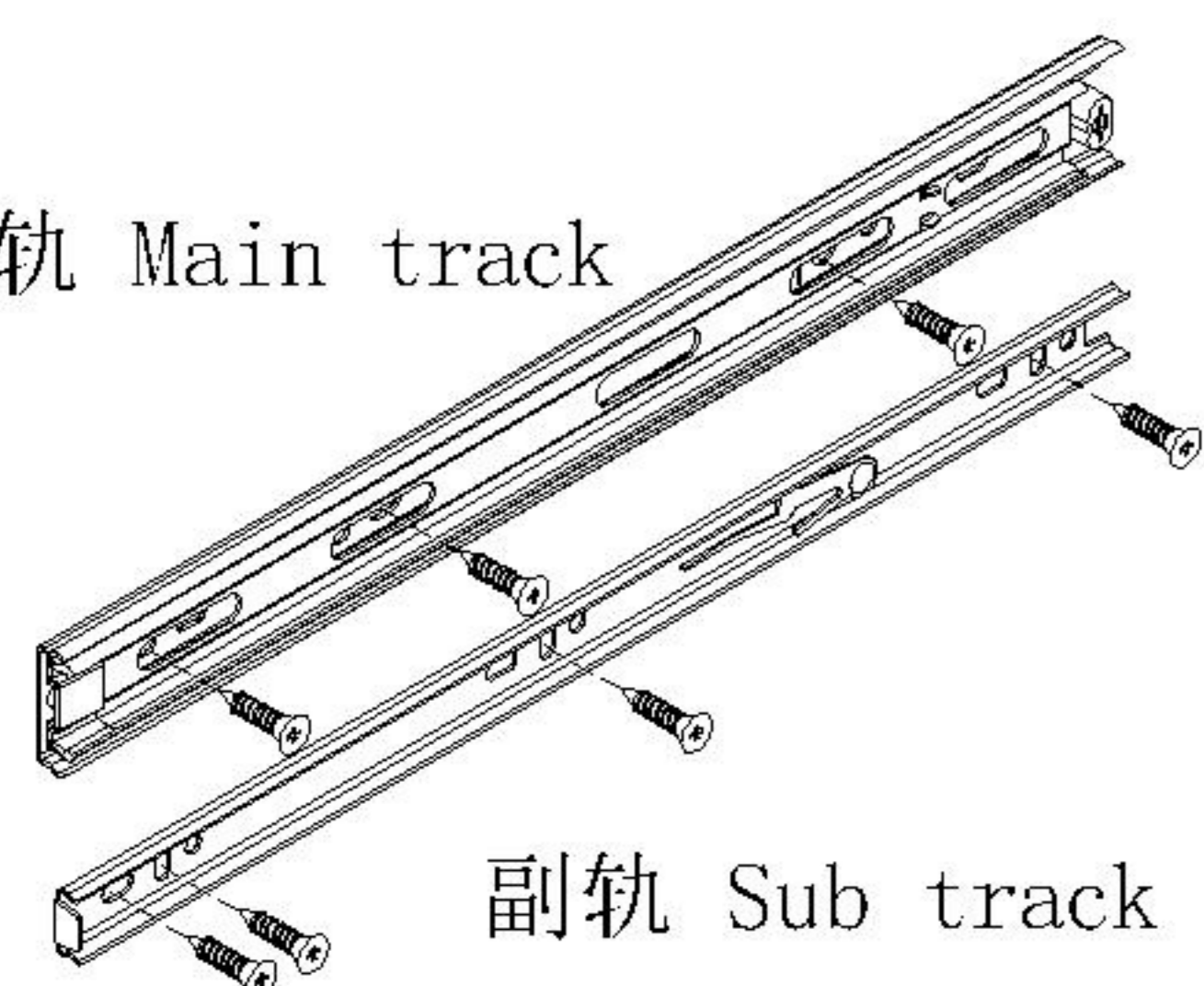


二合一 two-in-one

阀门开关(下压为开)
Valve switch (press down to open)

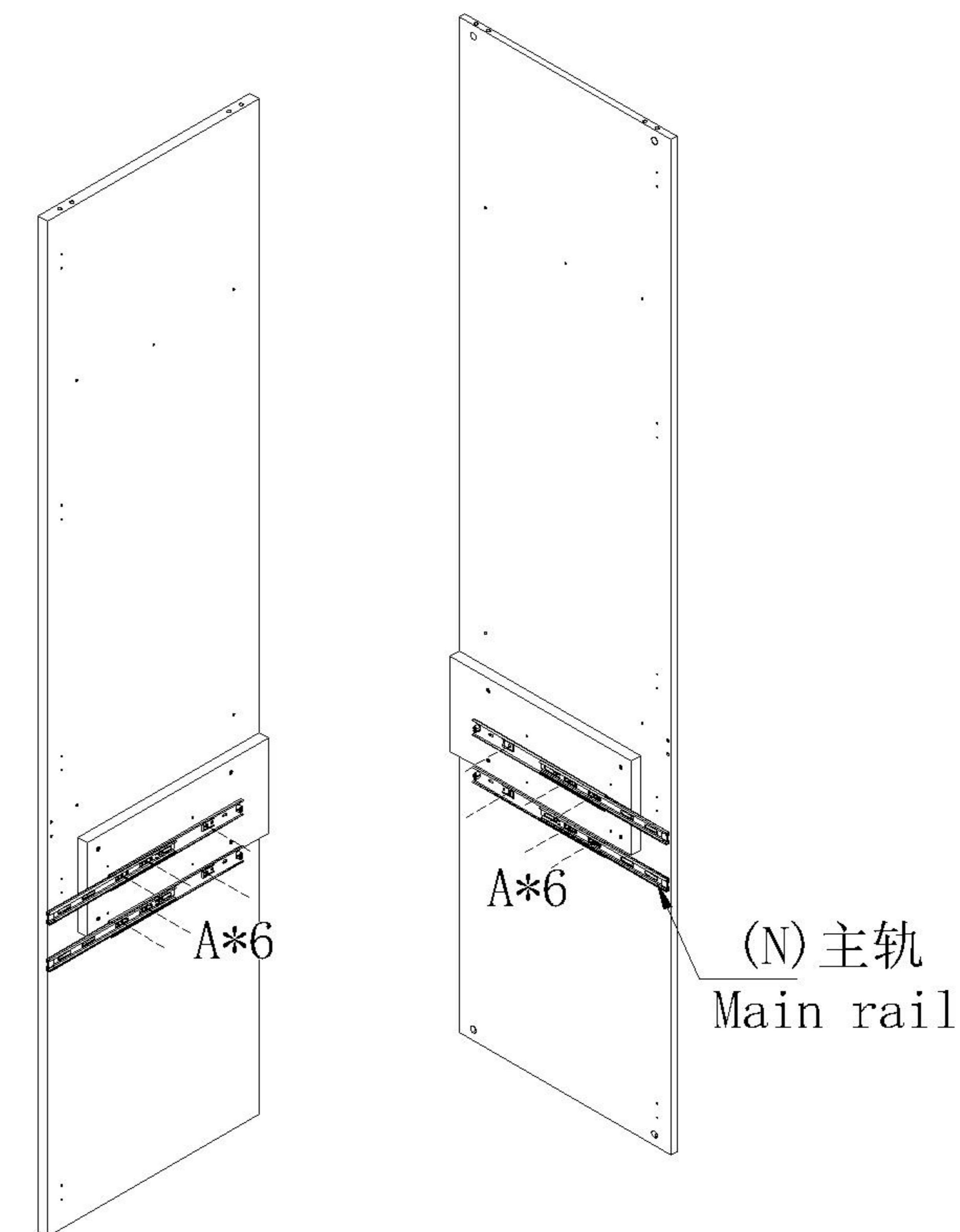
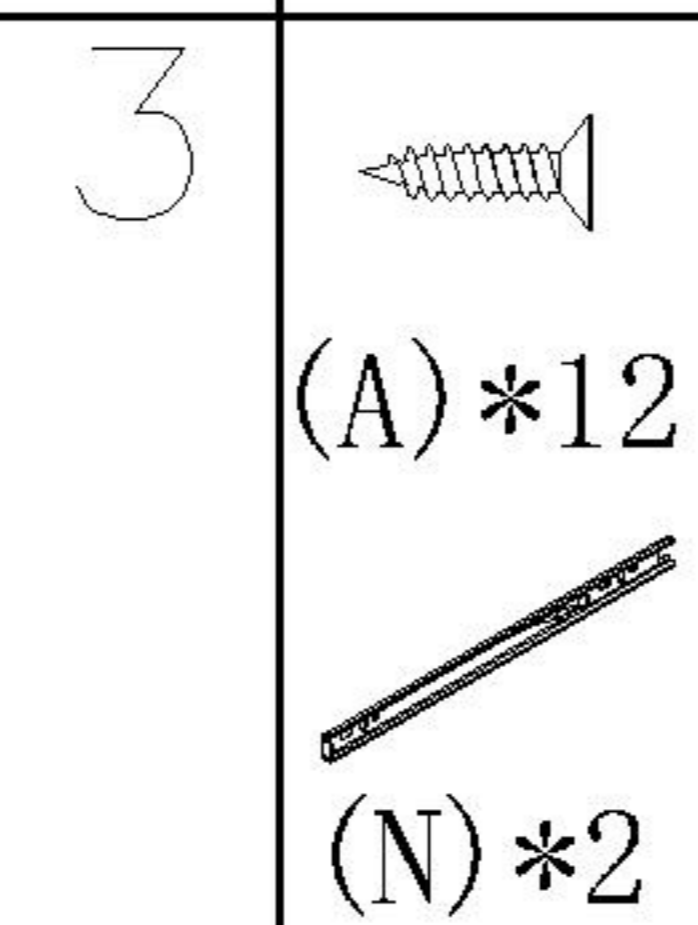
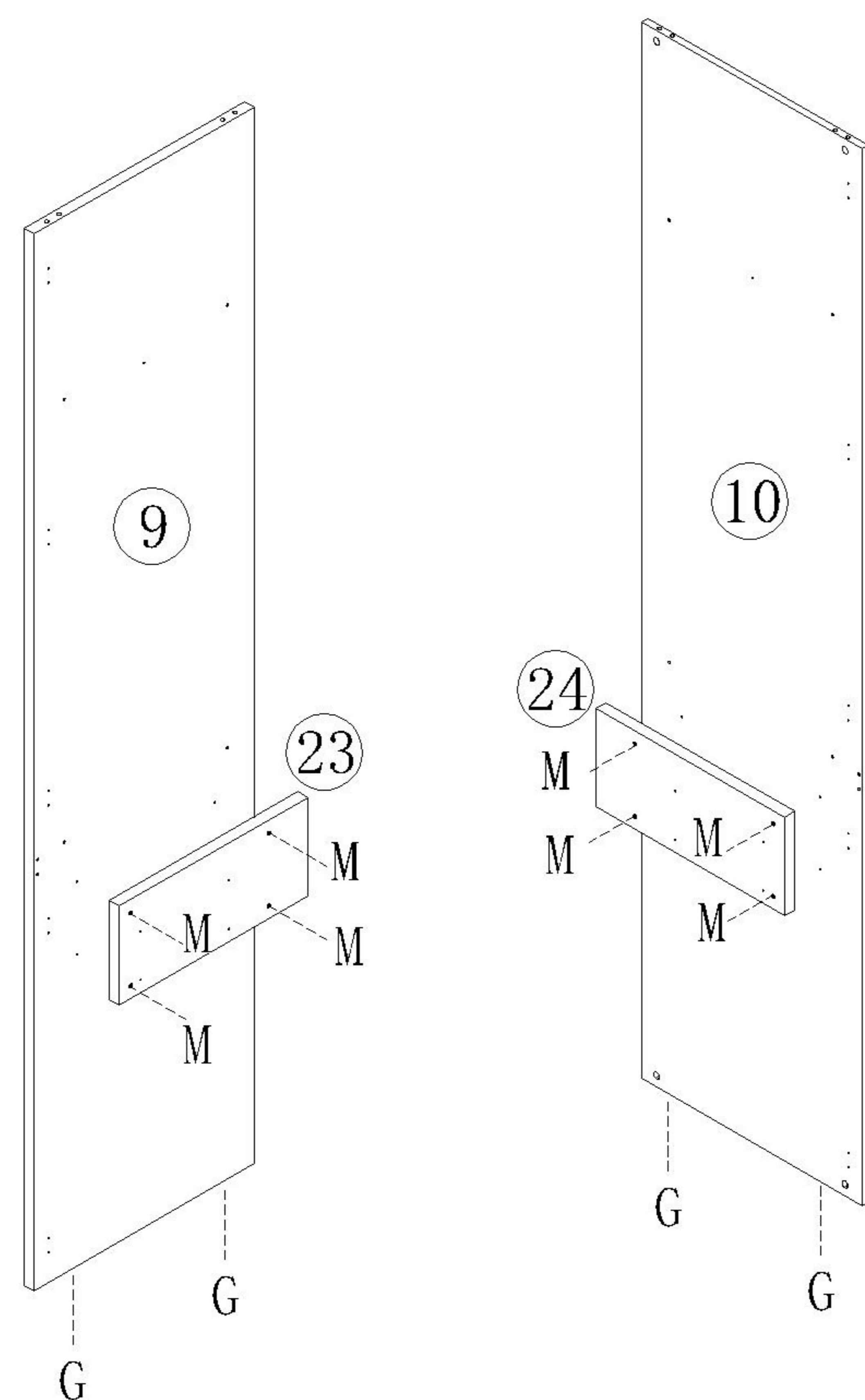
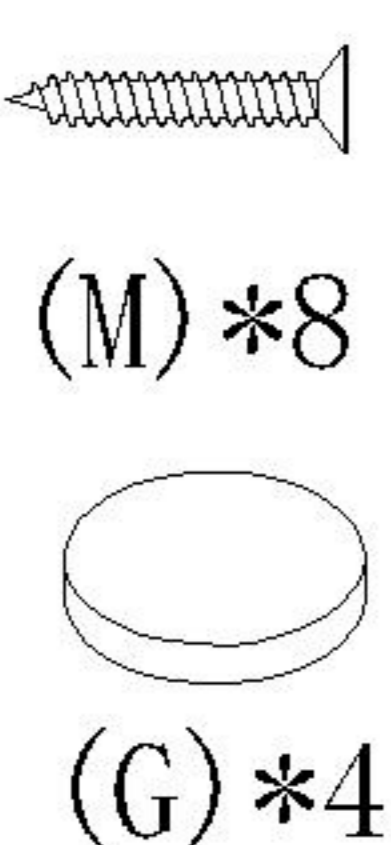
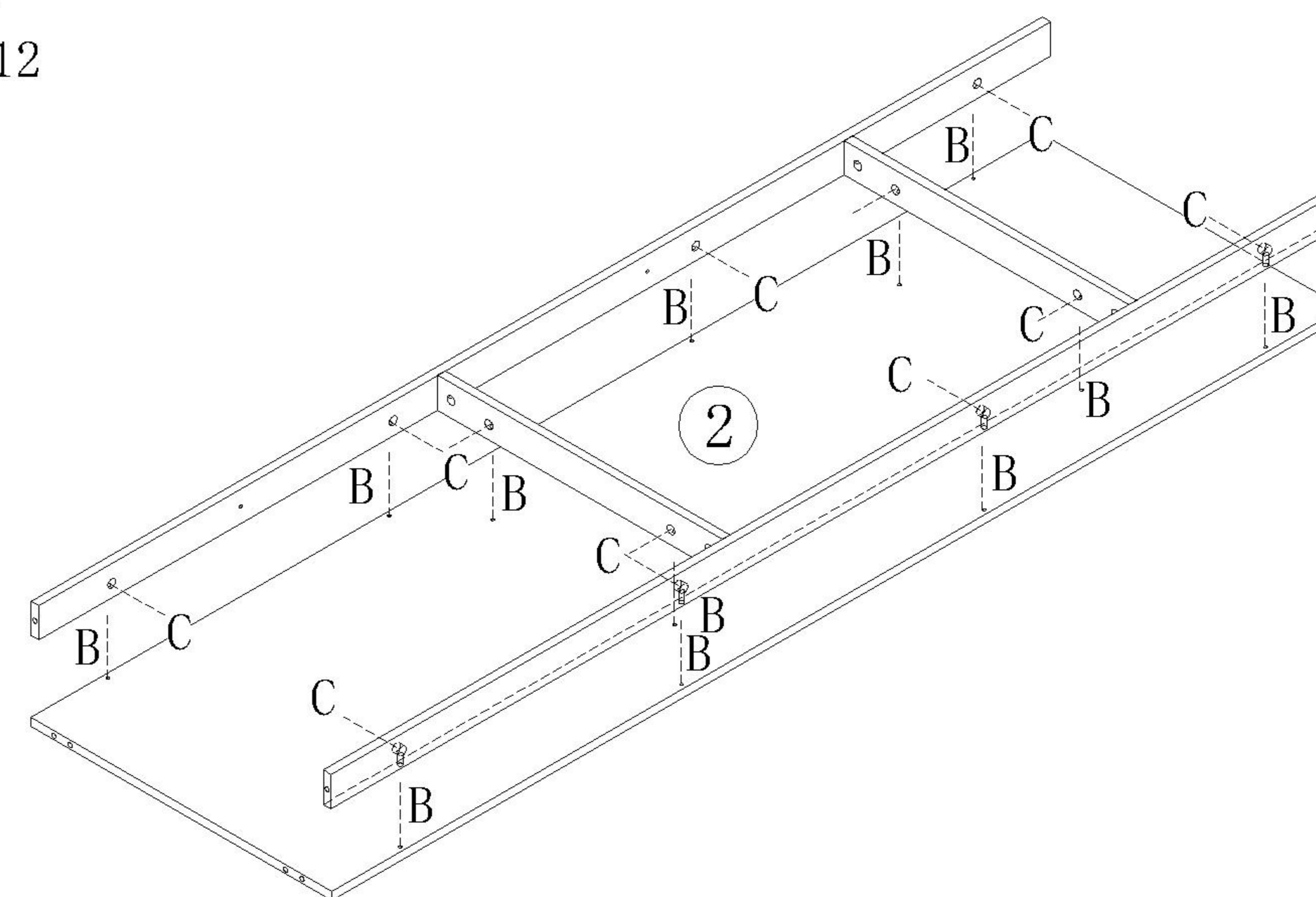
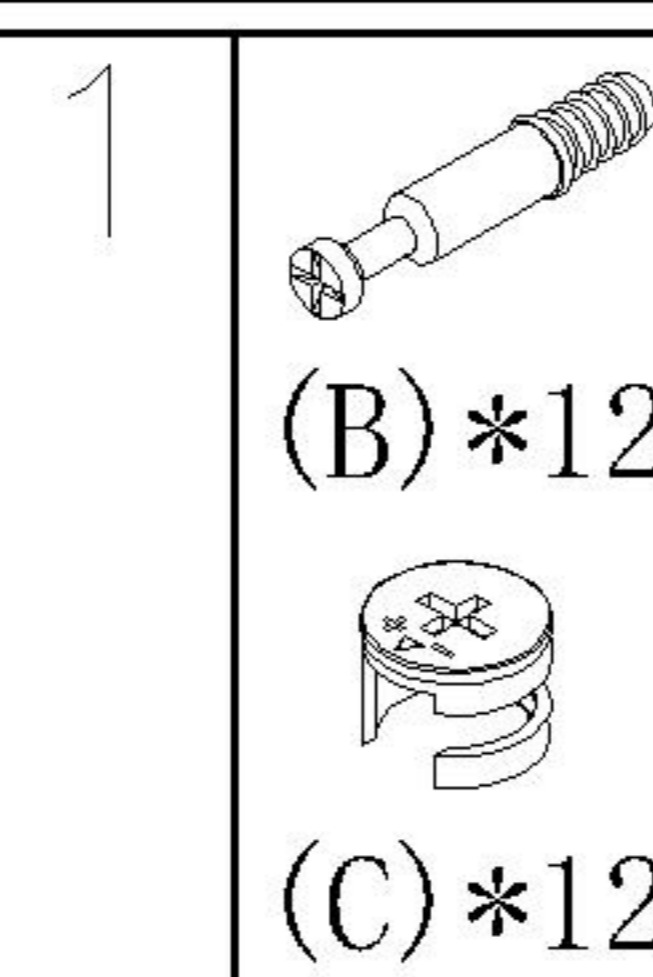
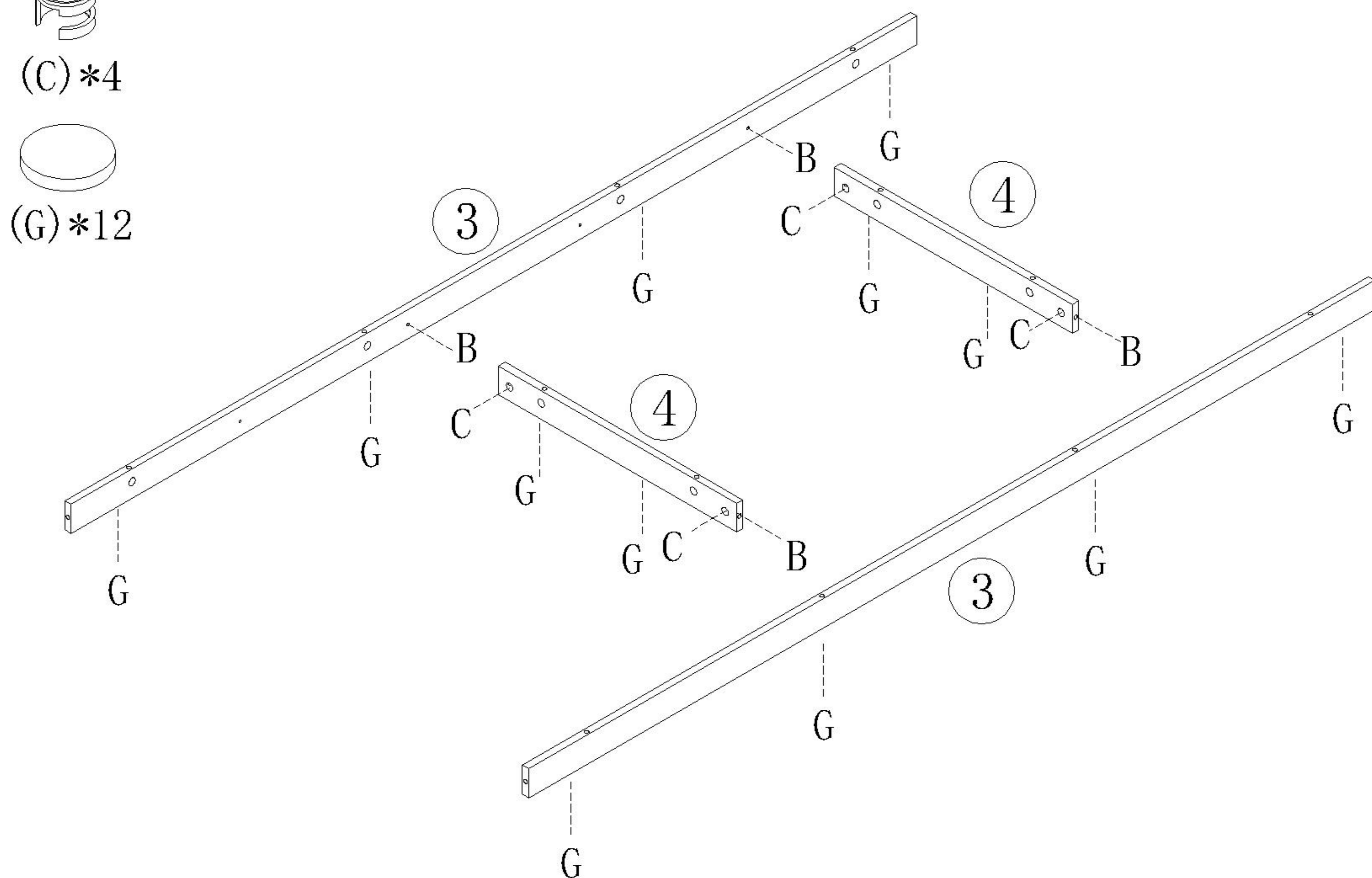
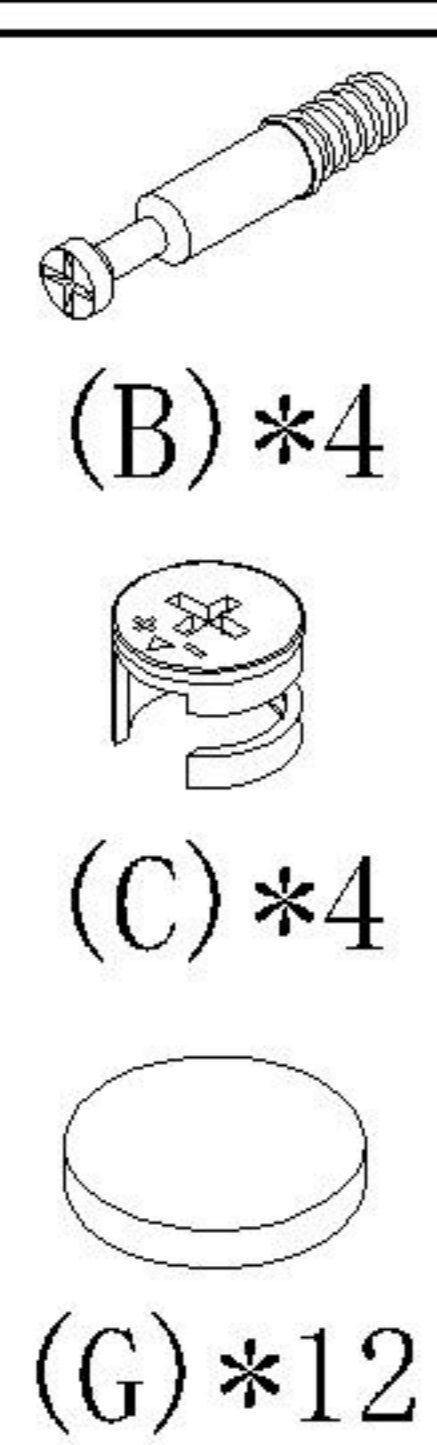


主轨 Main track



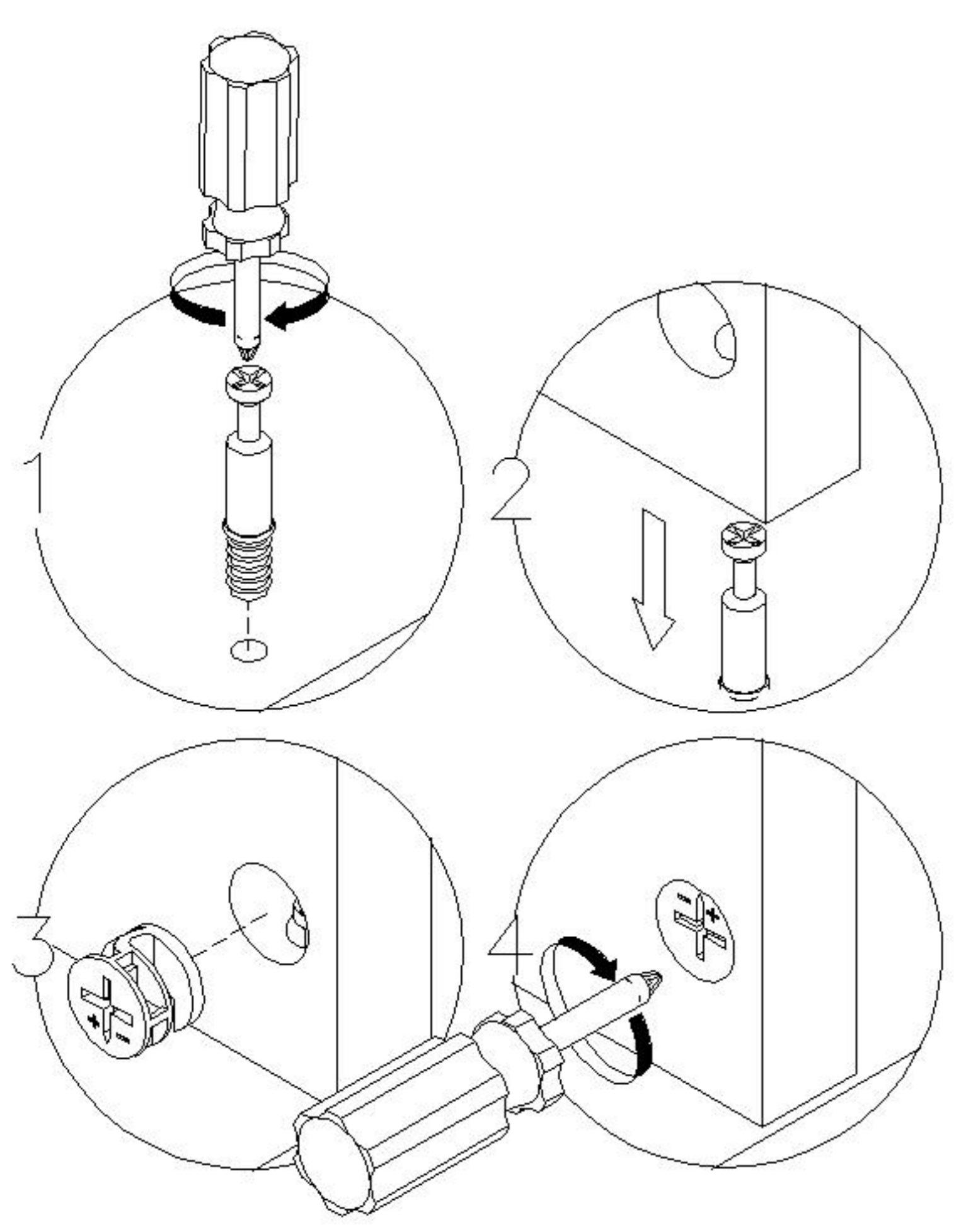
副轨 Sub track

三节滚珠导轨-14"
Three-section rail



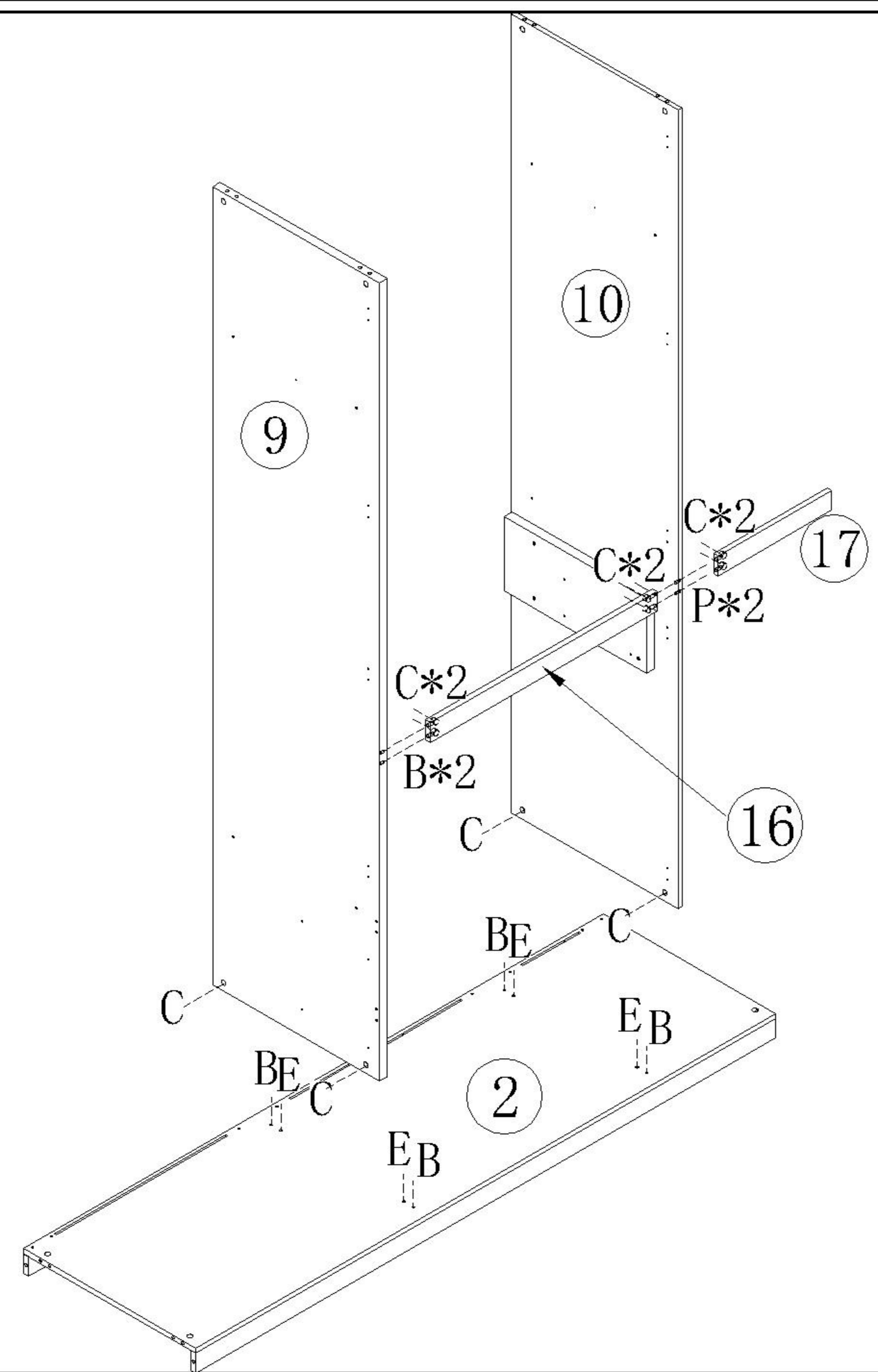
TR3D-A

安装方法/
Installation method



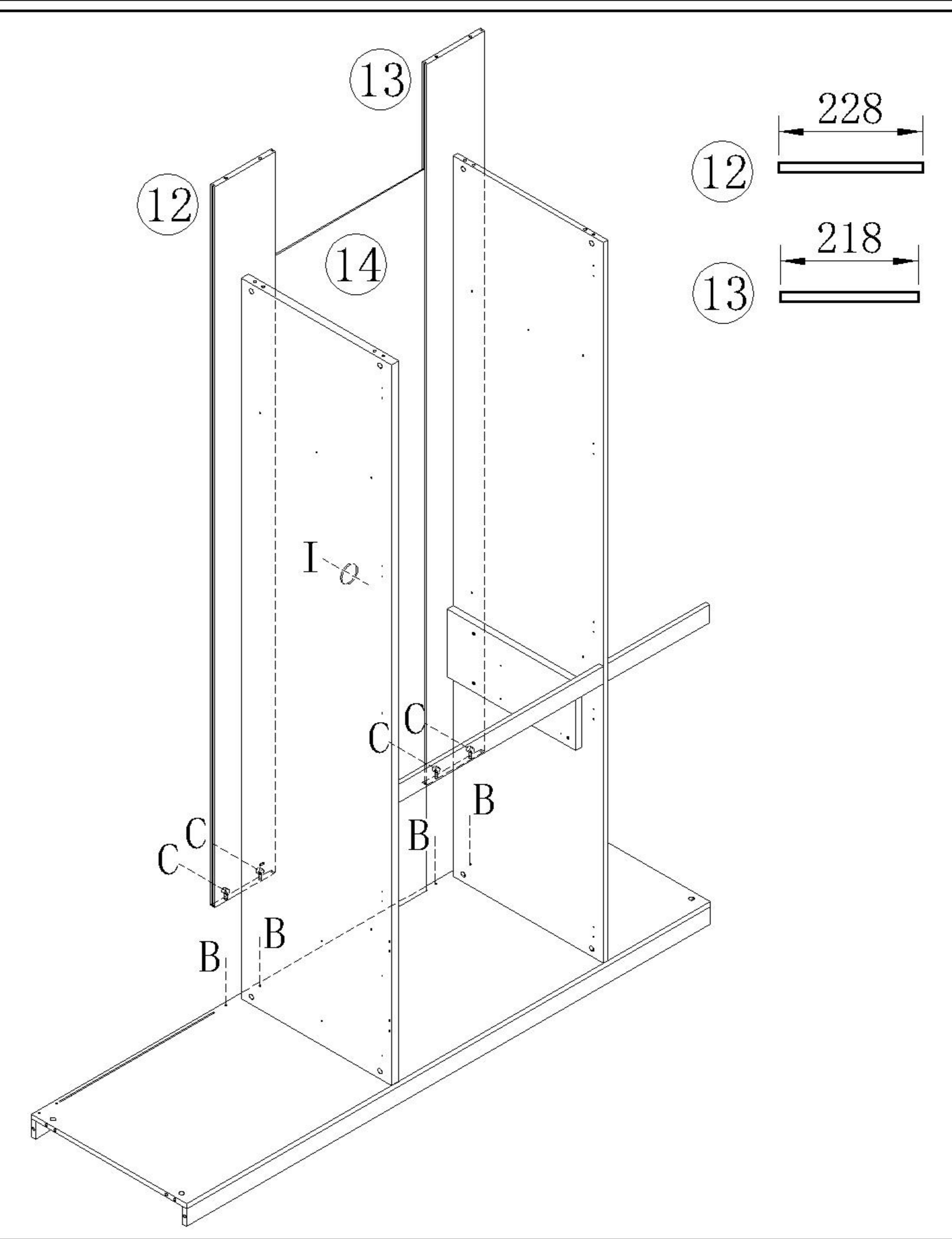
二合一 two-in-one

- (B)*6
- (C)*10
- (E)*4
- (P)*2



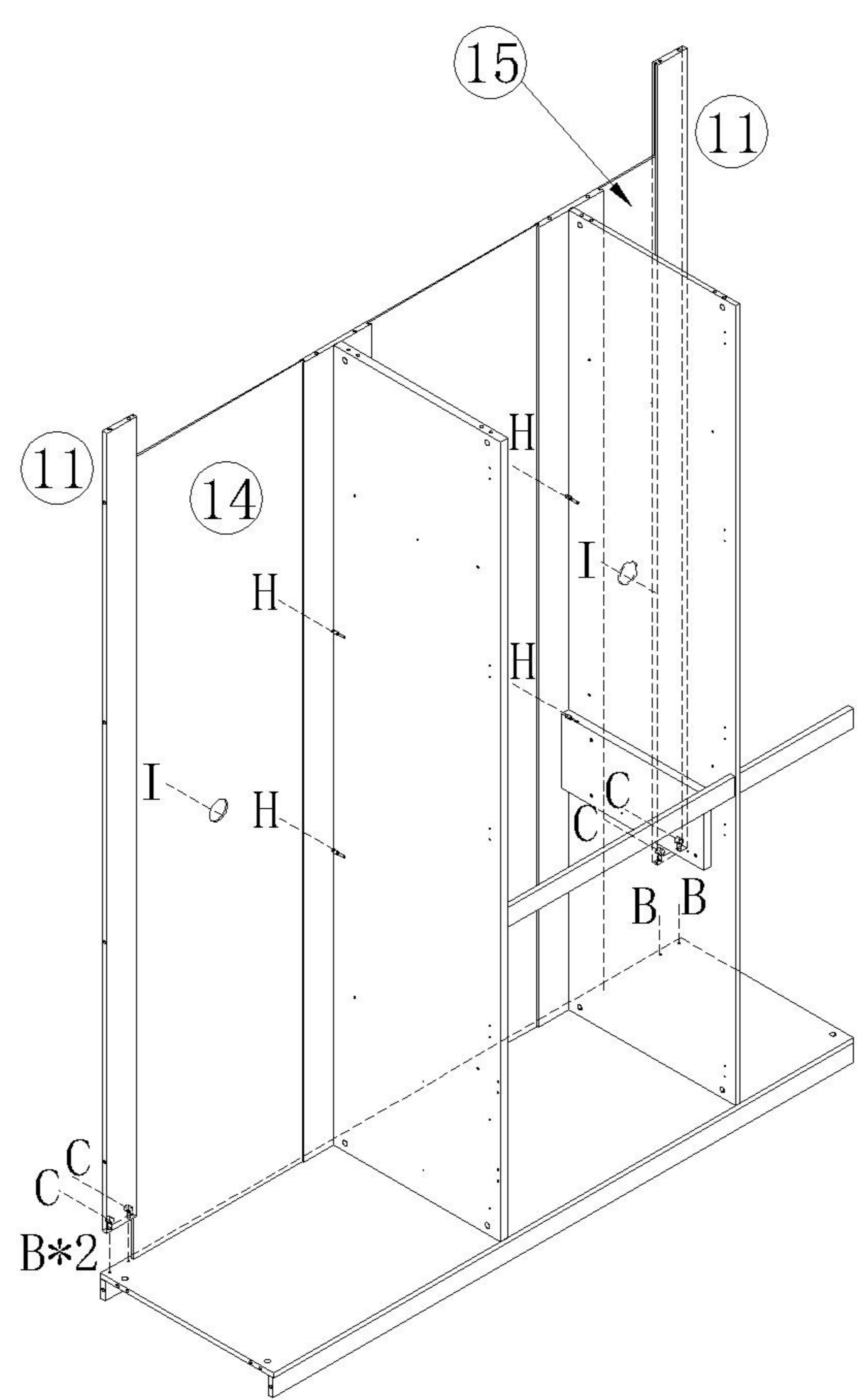
5

- (I)*1
- (B)*4
- (C)*4



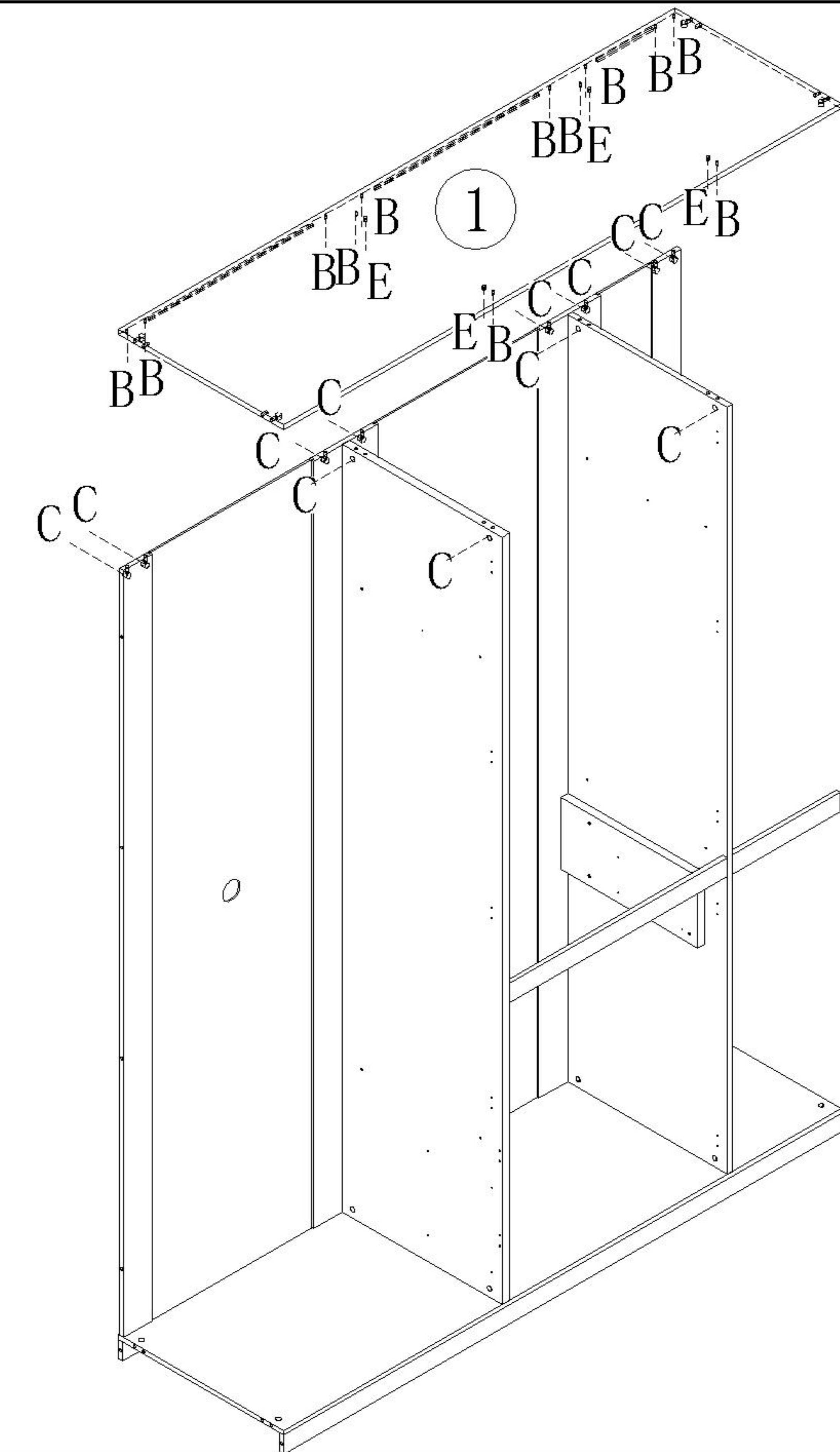
6

- (I)*2
- (B)*4
- (C)*4
- (H)*4



7

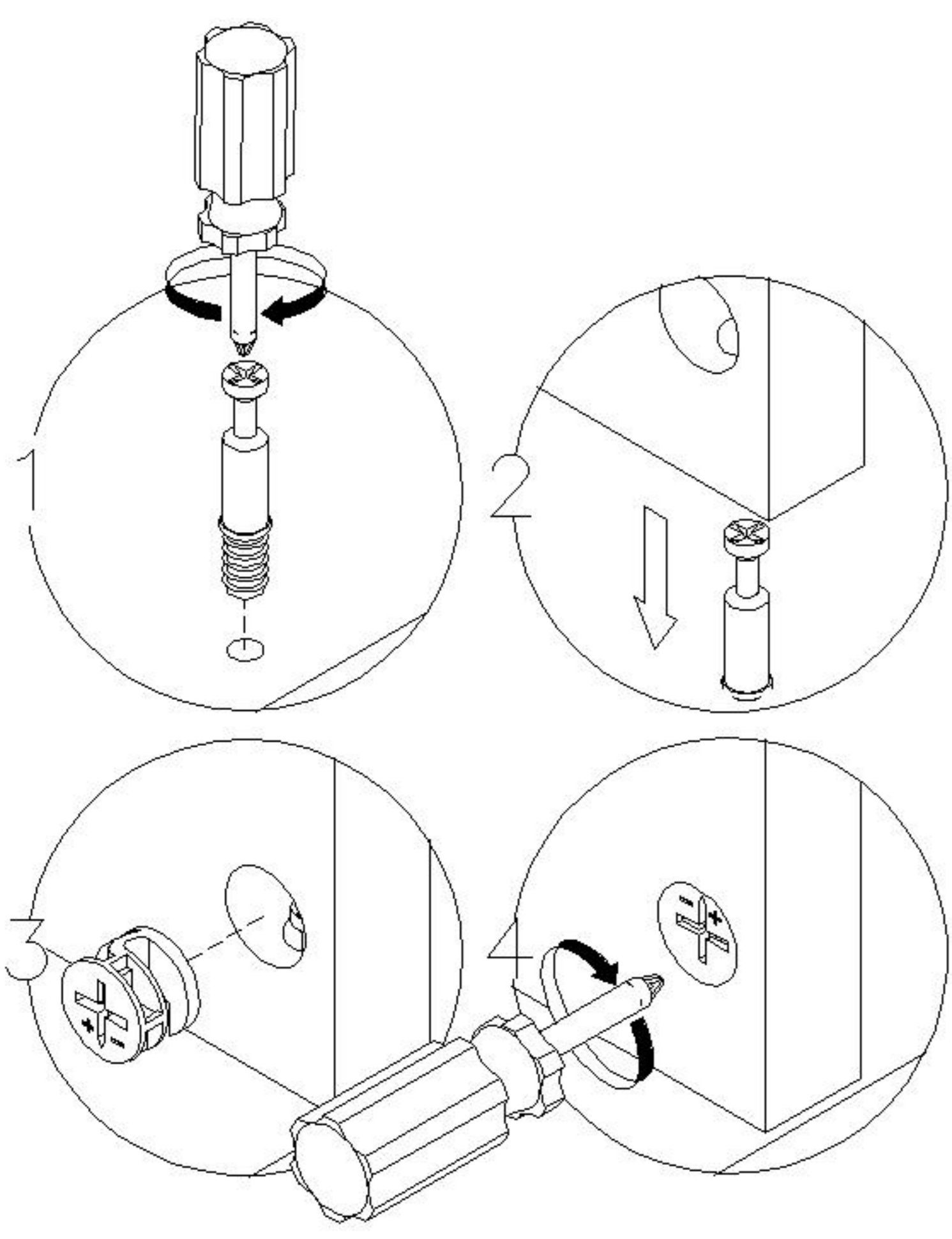
- (B)*12
- (C)*12
- (E)*4



8

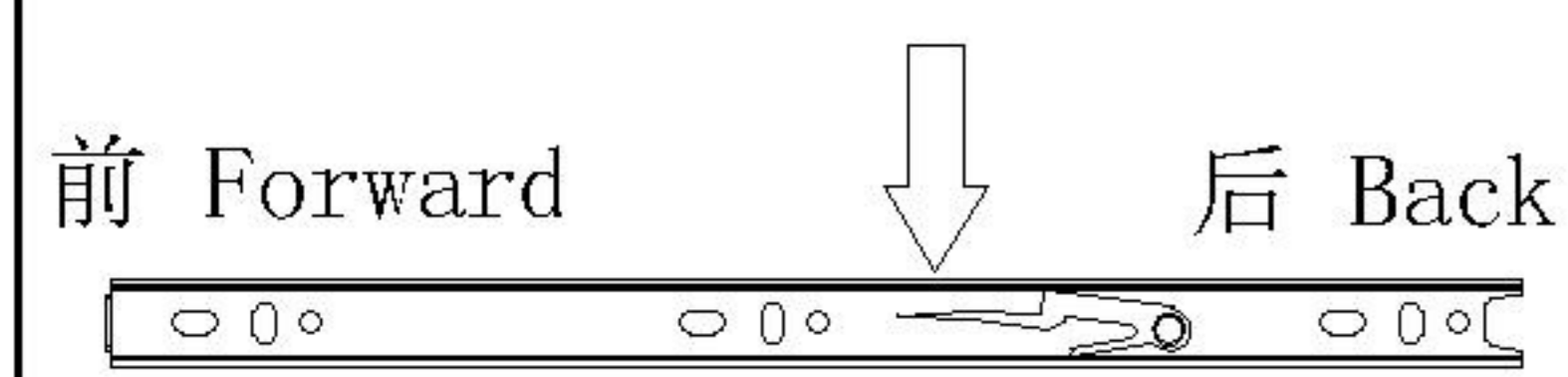
TR3D-A

安装方法/
Installation method

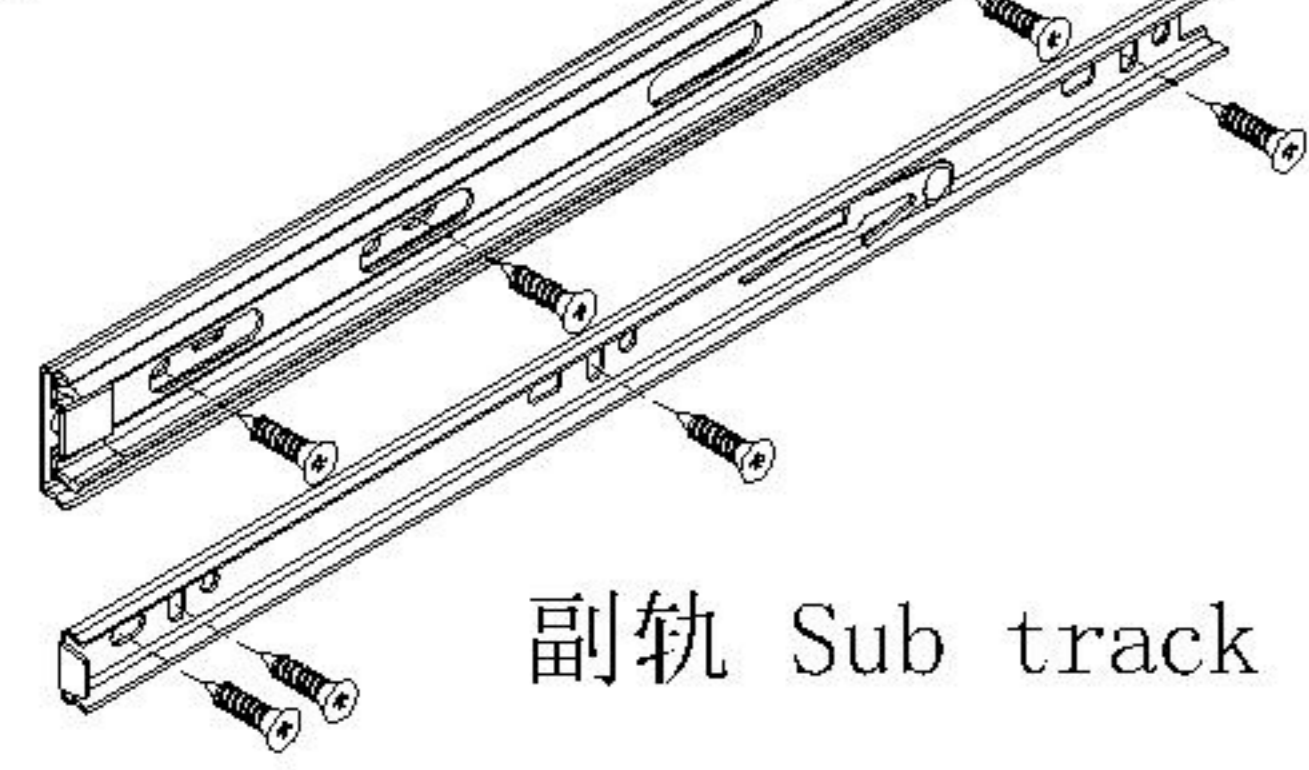


二合一 two-in-one

阀门开关(下压为开)
Valve switch (press down to open)

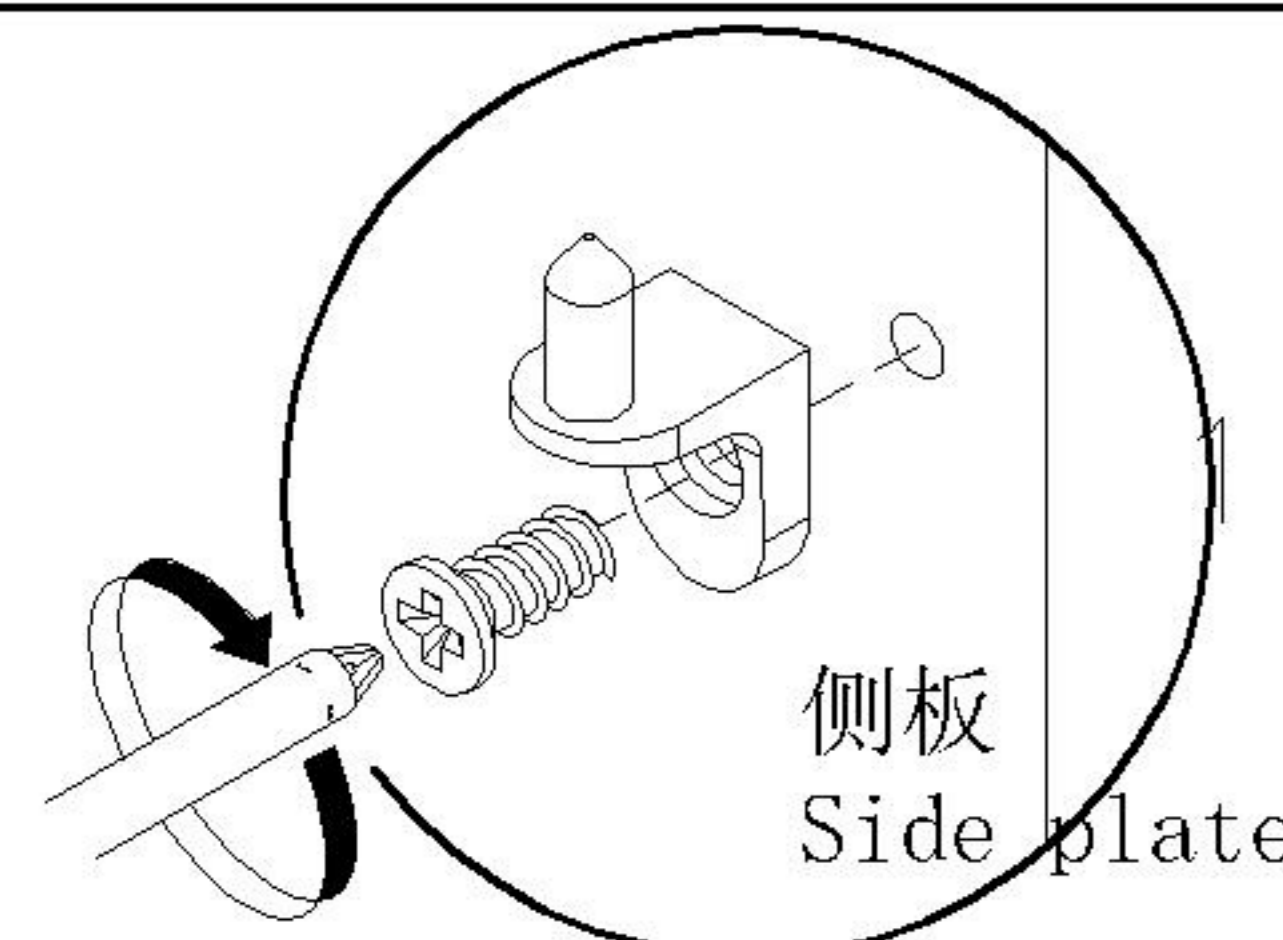


主轨 Main track

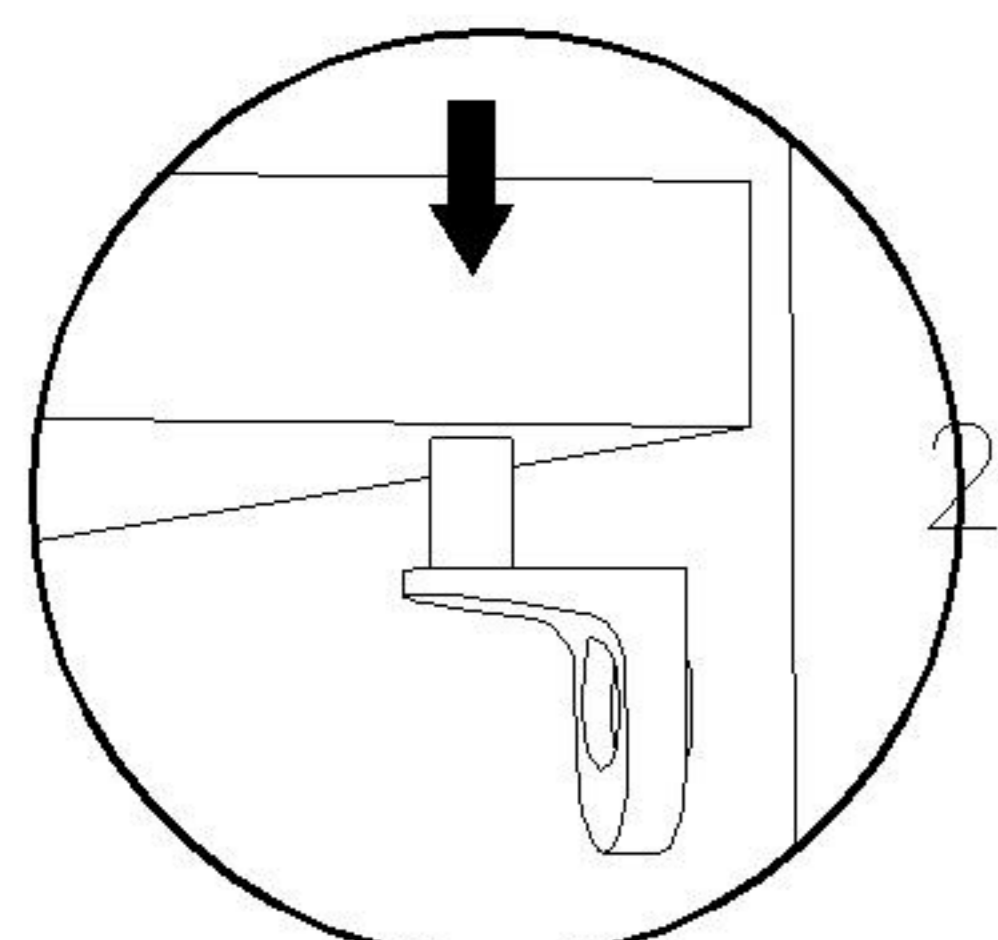


副轨 Sub track

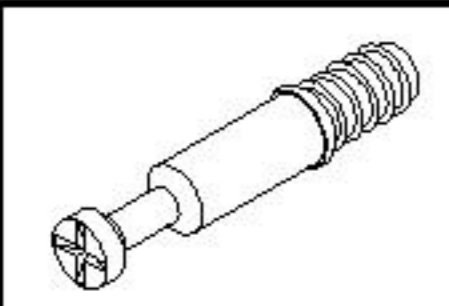
三节滚珠导轨-14"
Three-section rail



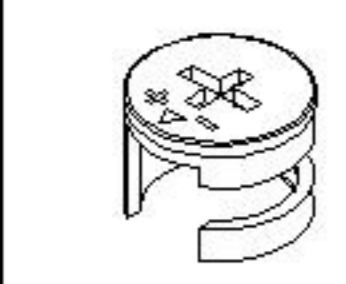
侧板
Side plate



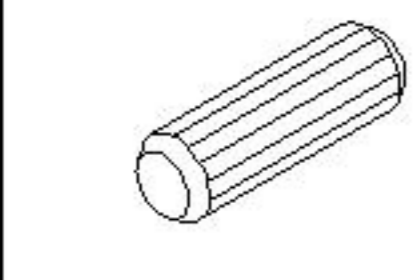
层板托5mm
shelf support



(B)*26



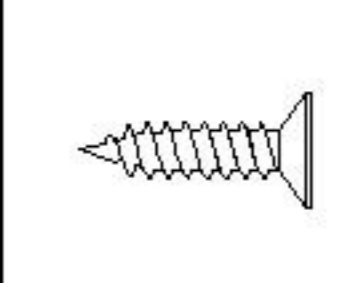
(C)*26



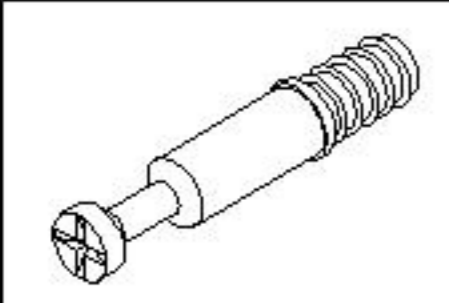
(E)*8



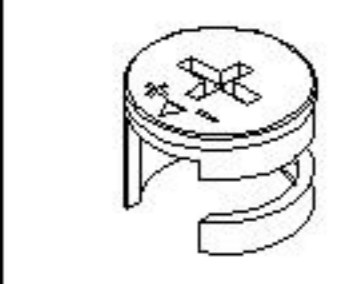
(S)*5



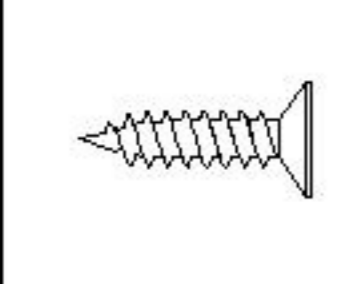
(A)*5



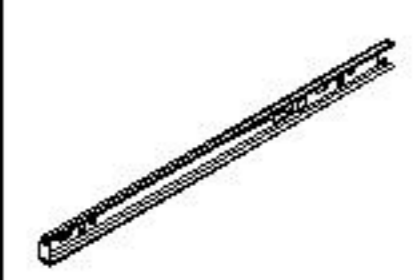
(B)*24



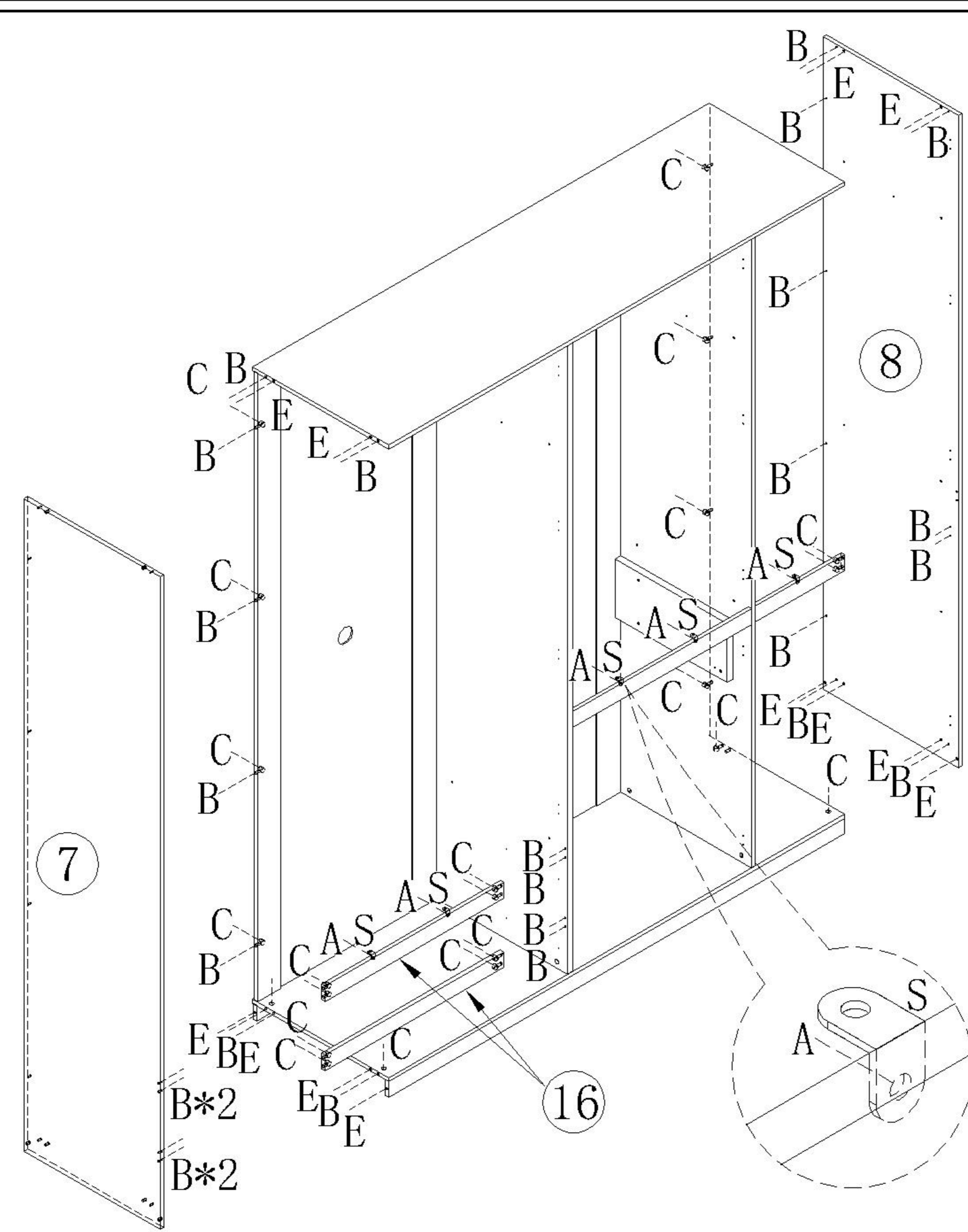
(C)*24



(A)*16



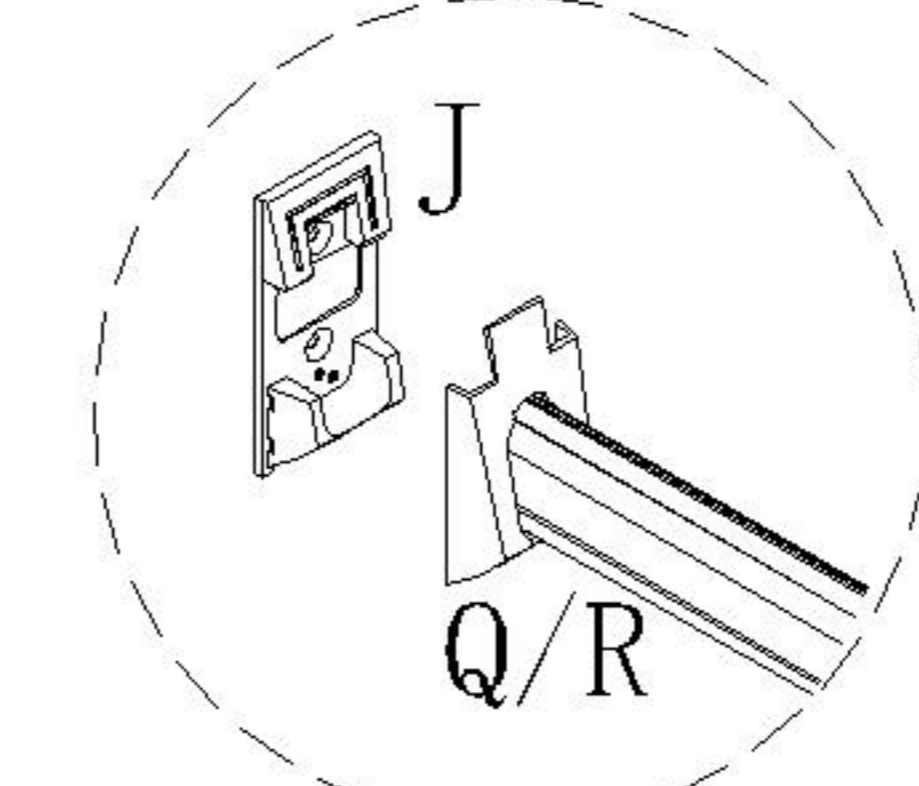
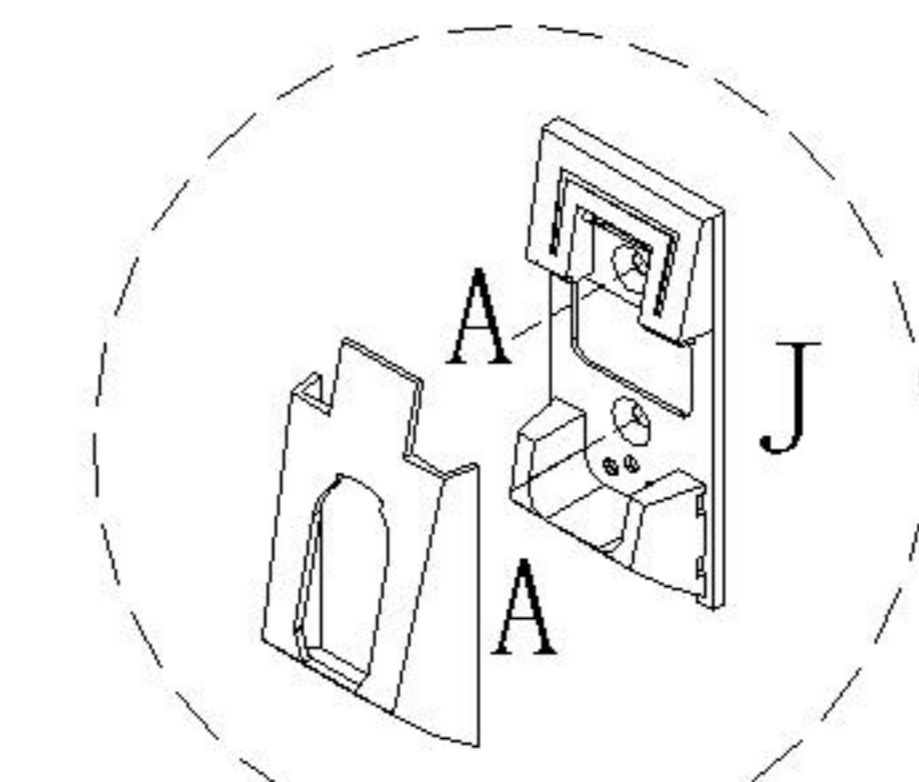
(N)*2



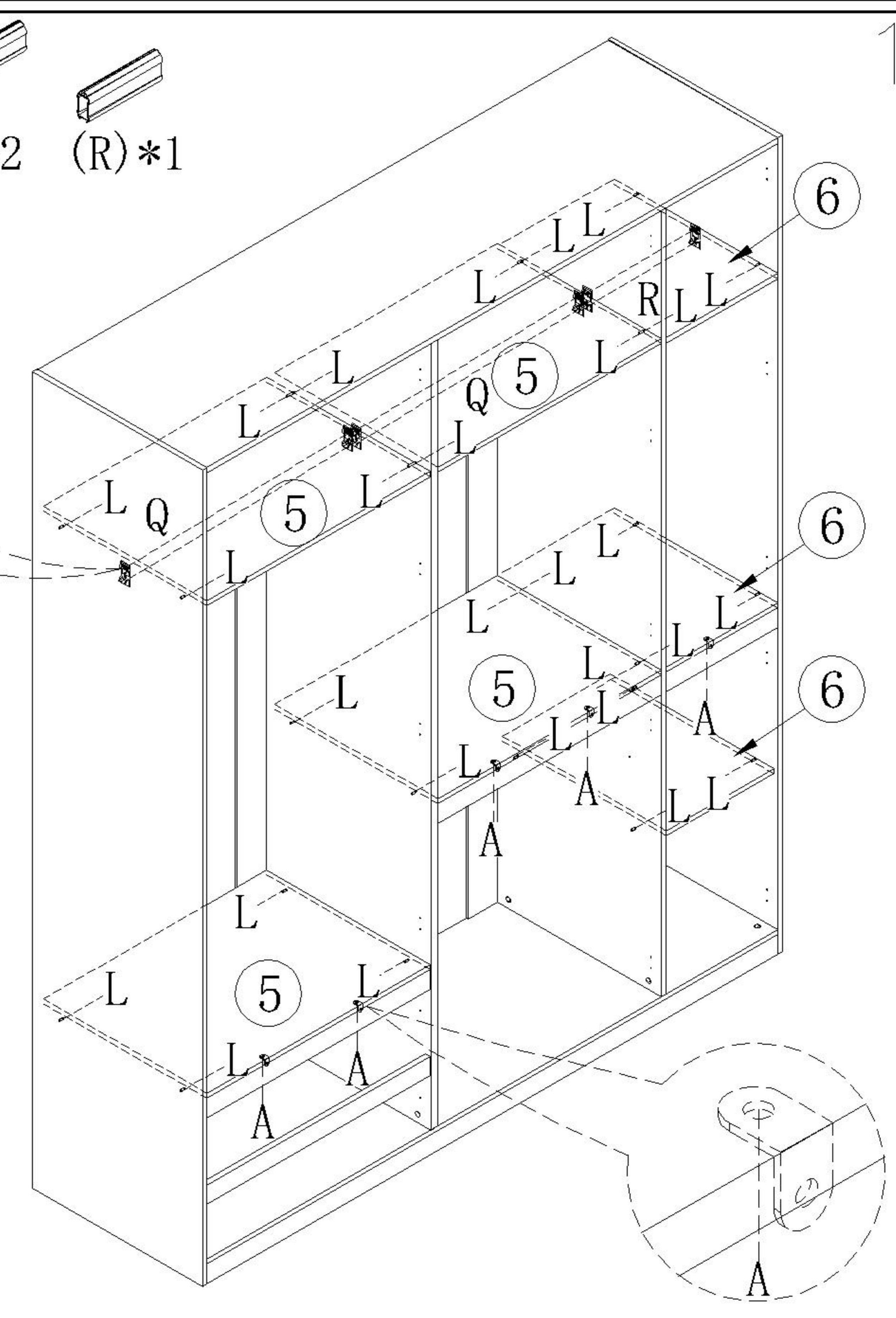
9

(L)*28 (A)*17 (J)*6 (Q)*2 (R)*1

将五金J的盖子拆开再锁
Remove the cover of hardware J and lock it

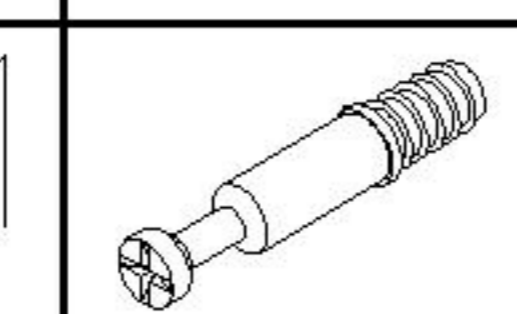


将五金Q/R套进五金J的盖子
再盖在五金J的底座上
Put hardware Q/R into the cover of hardware J and then cover the base of hardware J

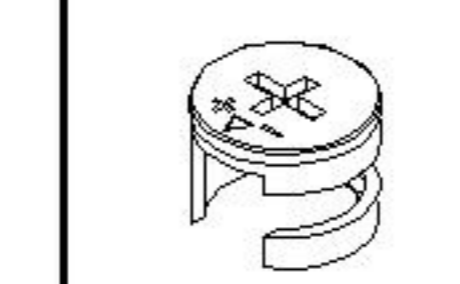


10

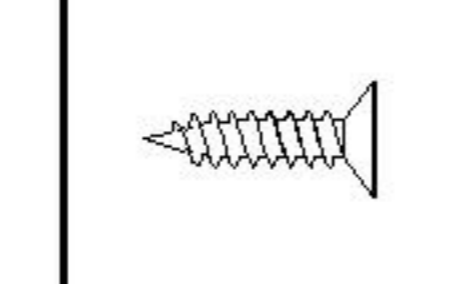
11



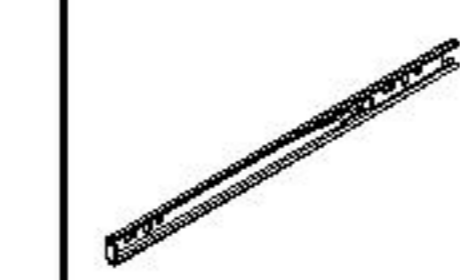
(B)*12



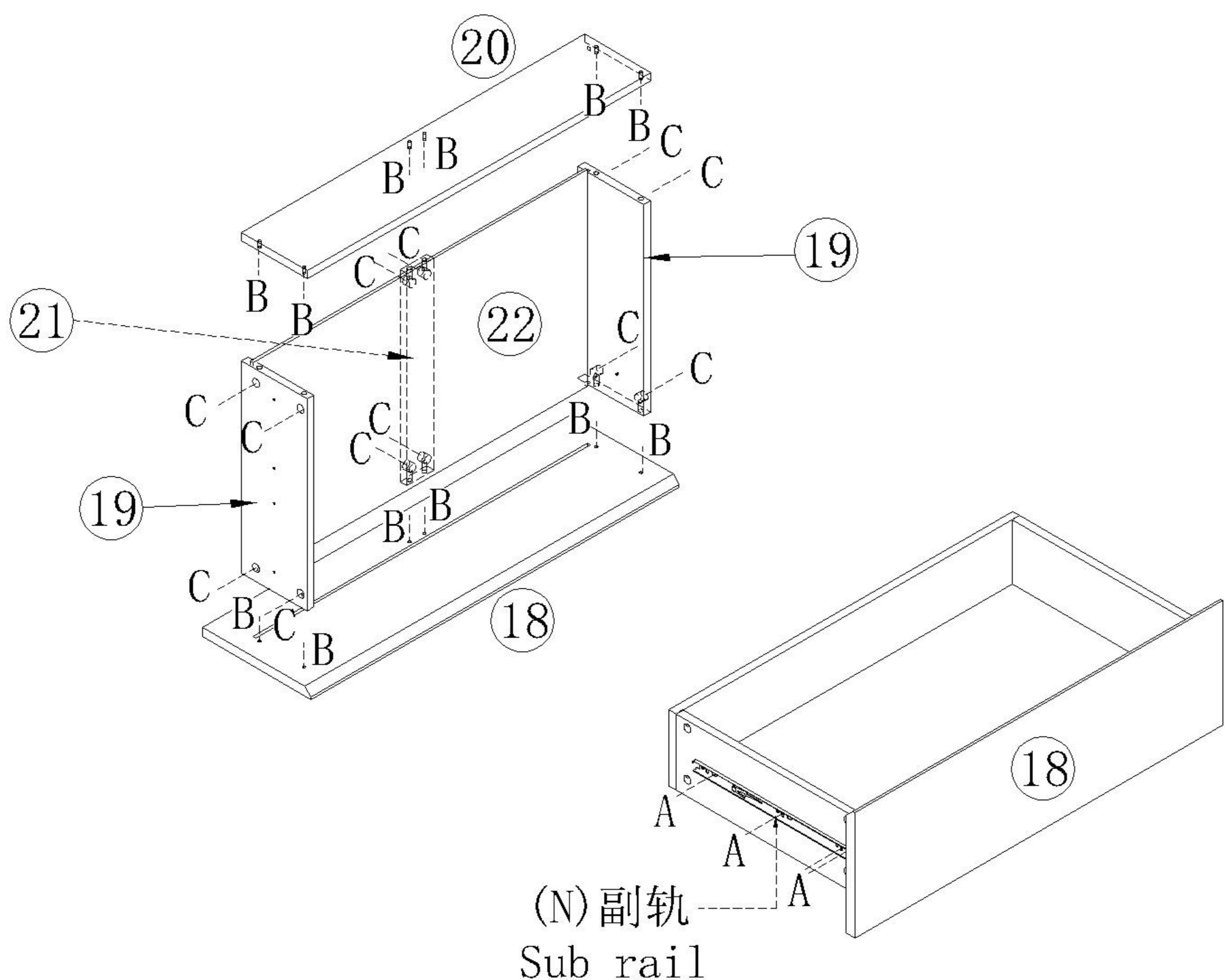
(C)*12



(A)*8



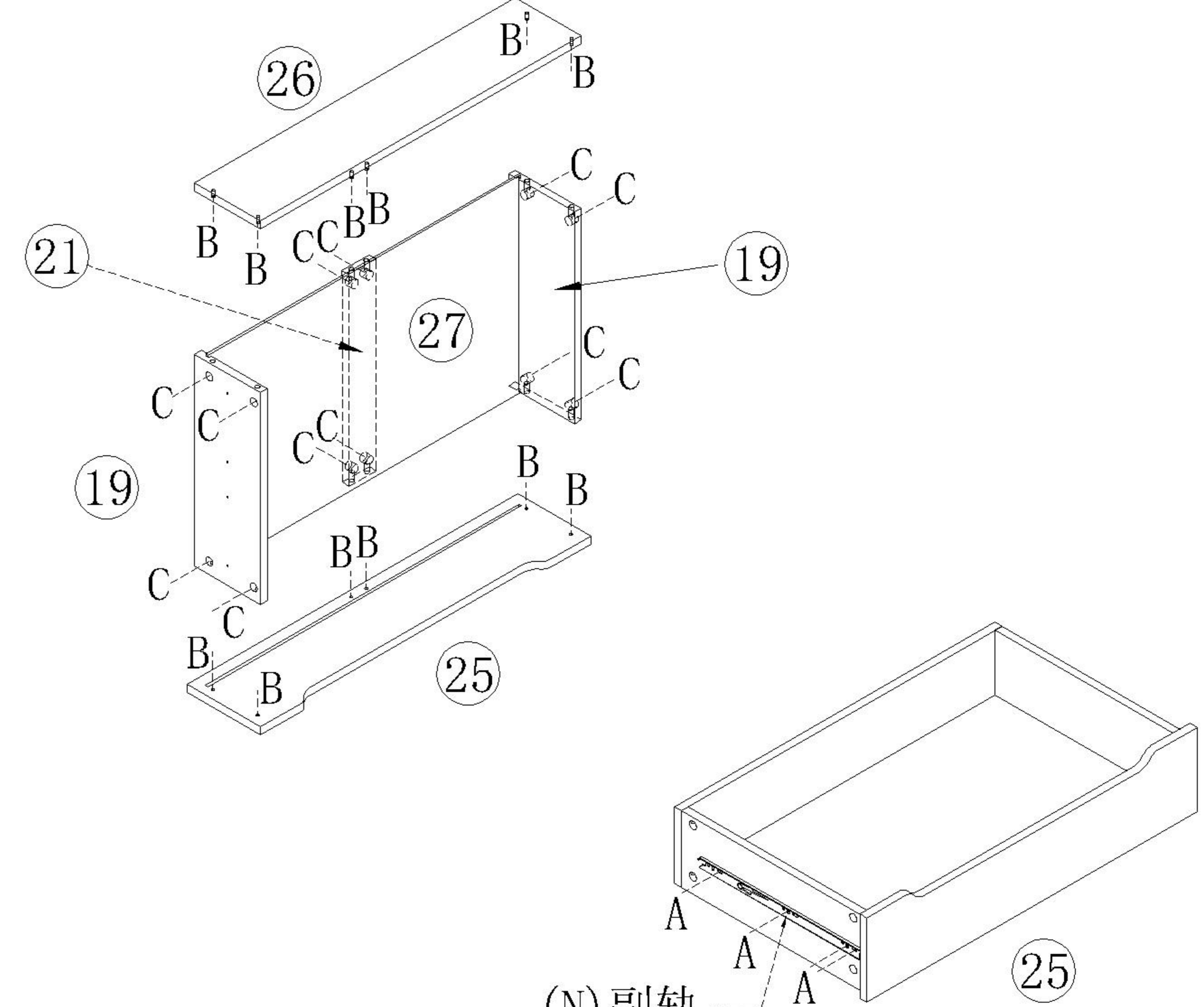
(N)*1



(N) 副轨
Sub rail

X2

12



(N) 副轨
Sub rail

安装方法/ Installation method

大弯big bend

中弯middle bending

直弯straight bending

侧板 side board

门板 Door panel

调节上下 Adjust up and down

调节左右 Adjust left and right

调节前后 Before and after adjustment

门铰 Hinge

阀门开关(下压为开) Valve switch (press down to open)

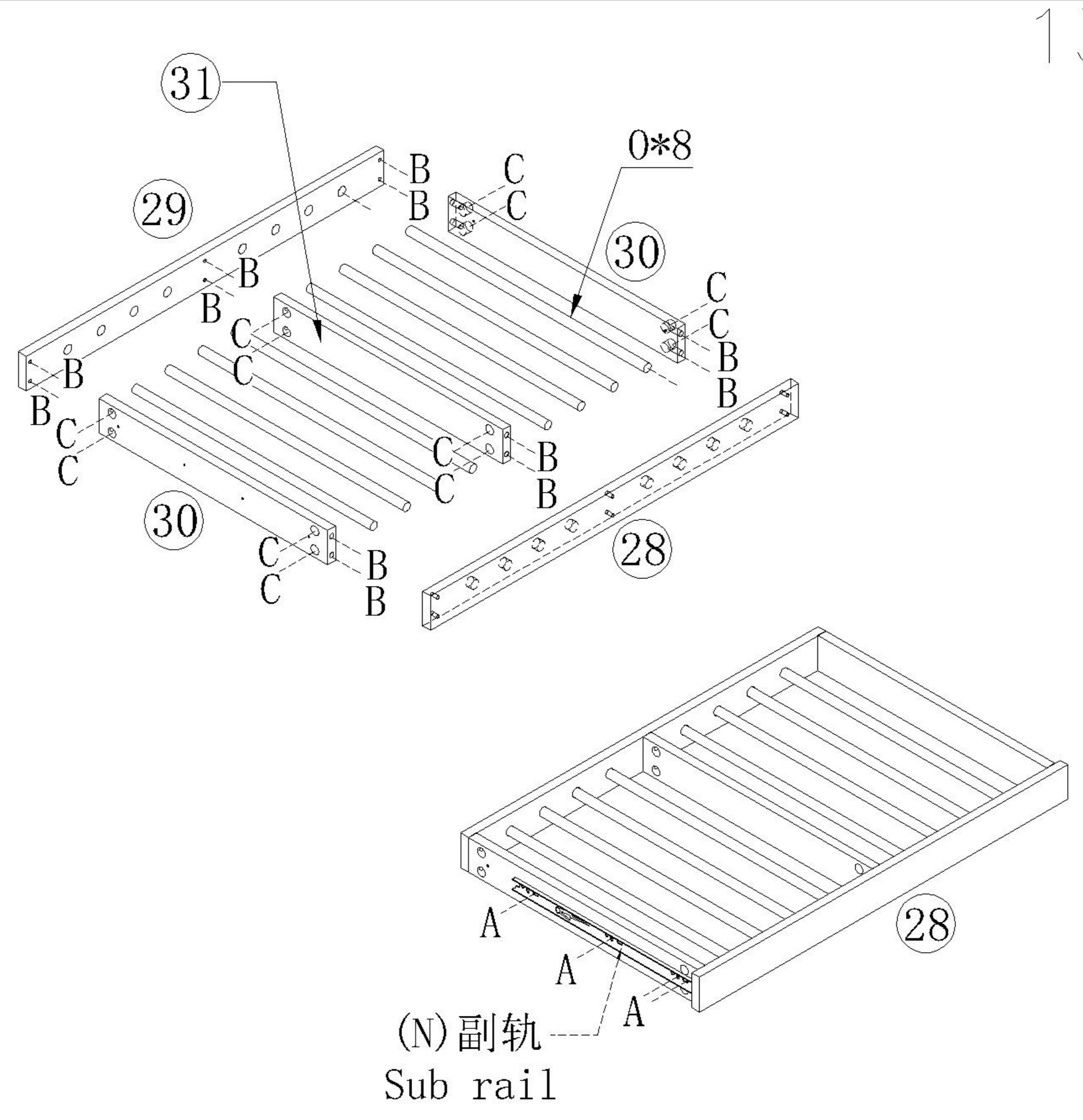
前 Forward 后 Back

主轨 Main track

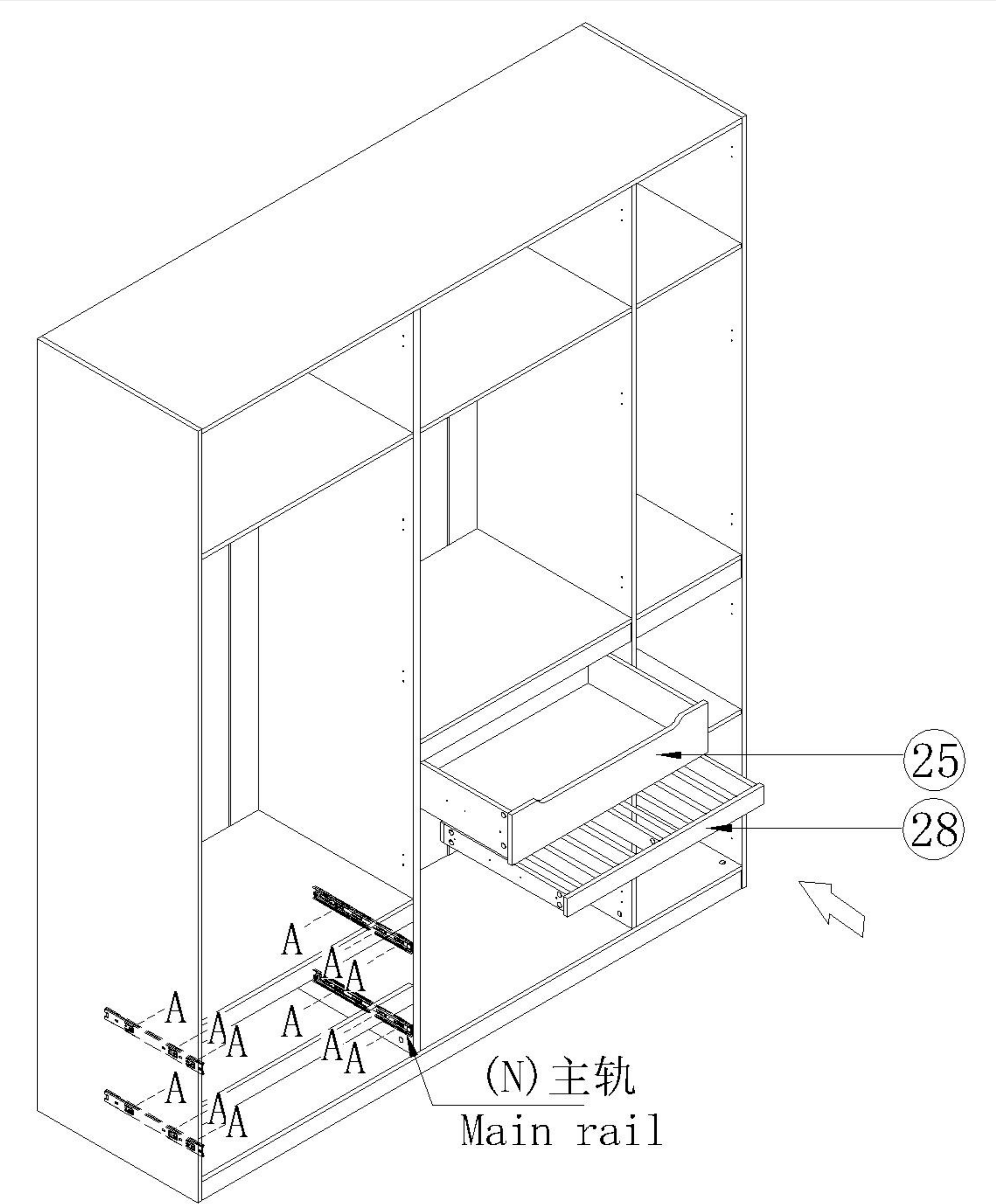
副轨 Sub track

三节滚珠导轨-14" Three-section rail

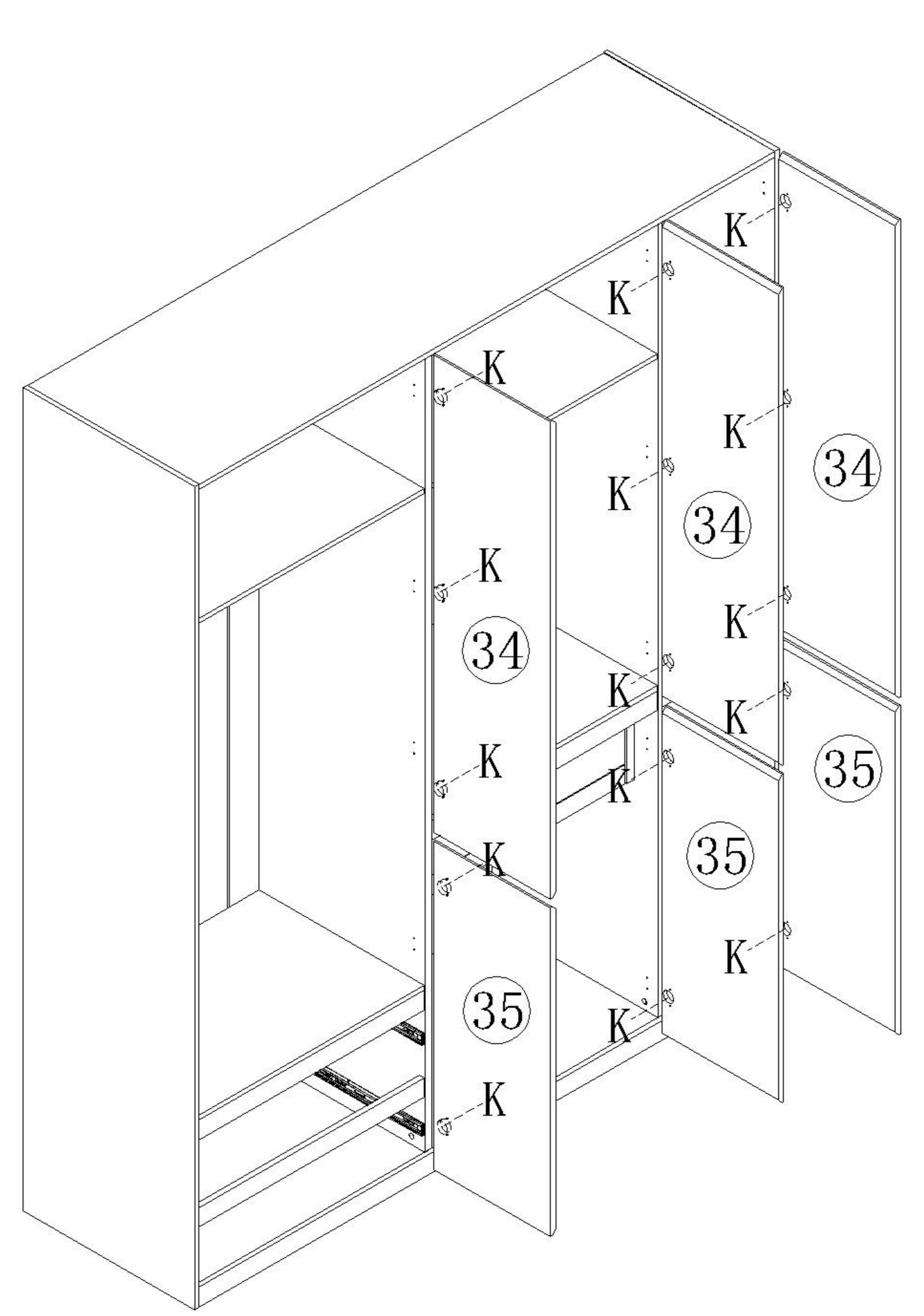
- (B)*12
- (C)*12
- (O)*8
- (A)*8
- (N)*1



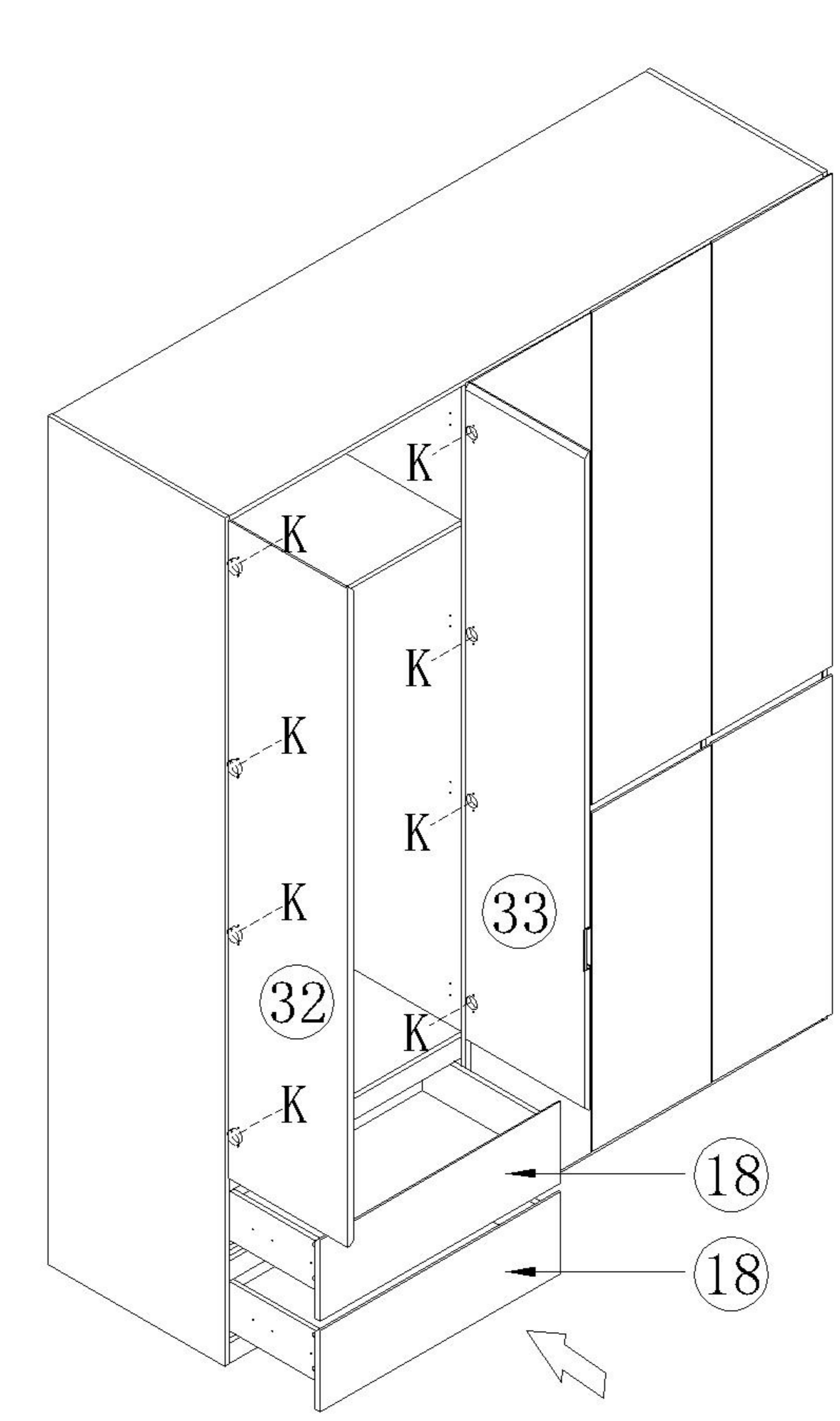
- 13
- (A)*12
- (N)*2



- (K)*15



- 15
- (K)*8

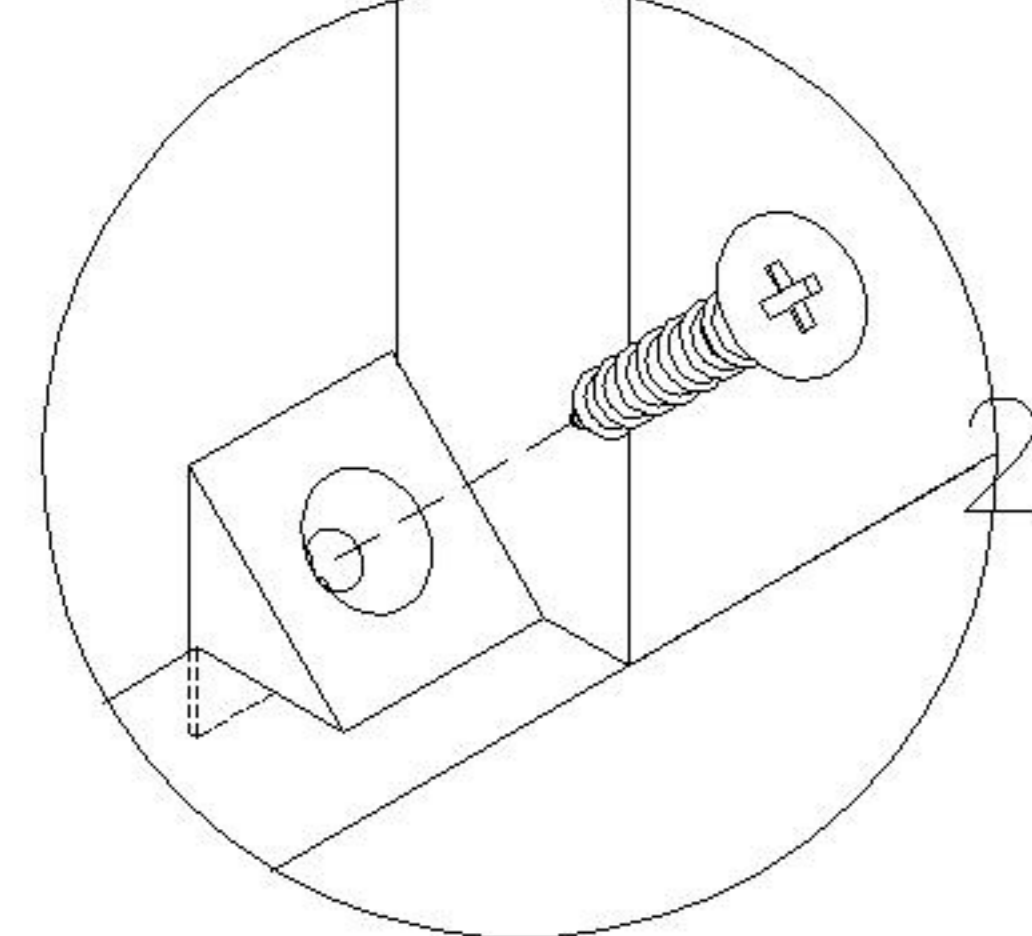
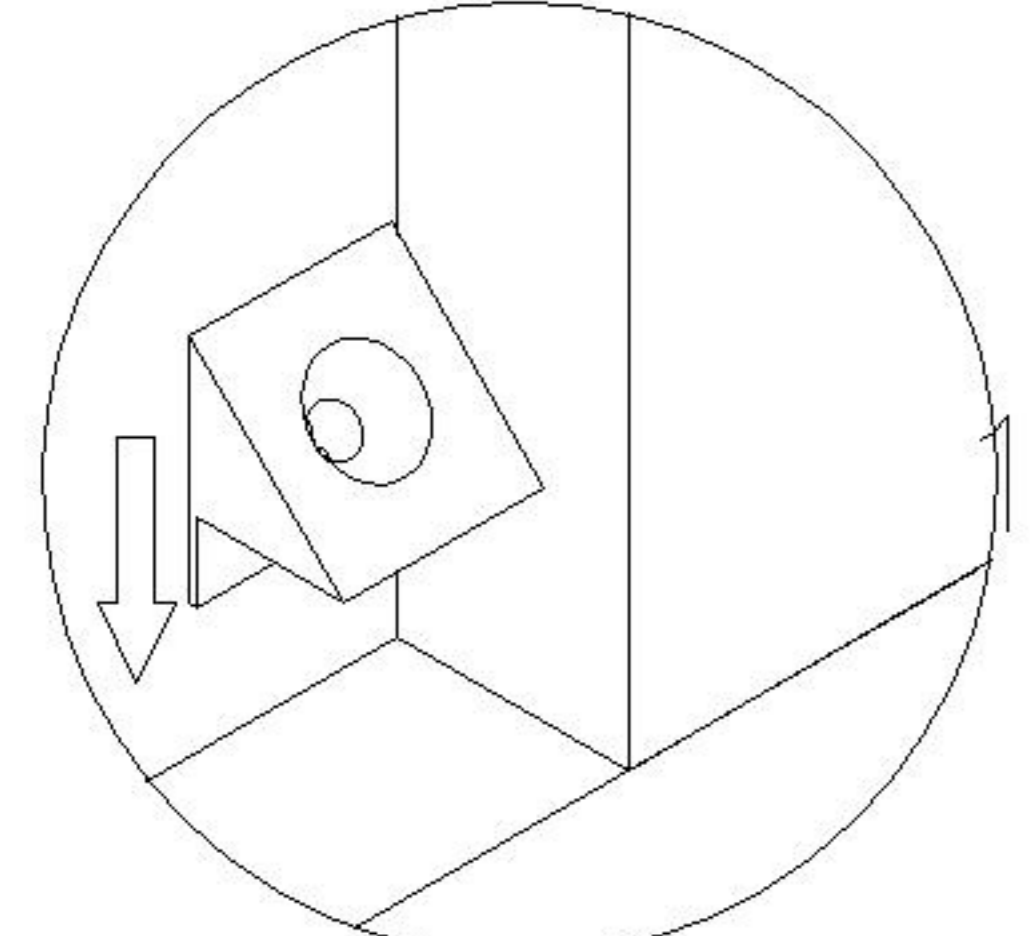


TR3D-A

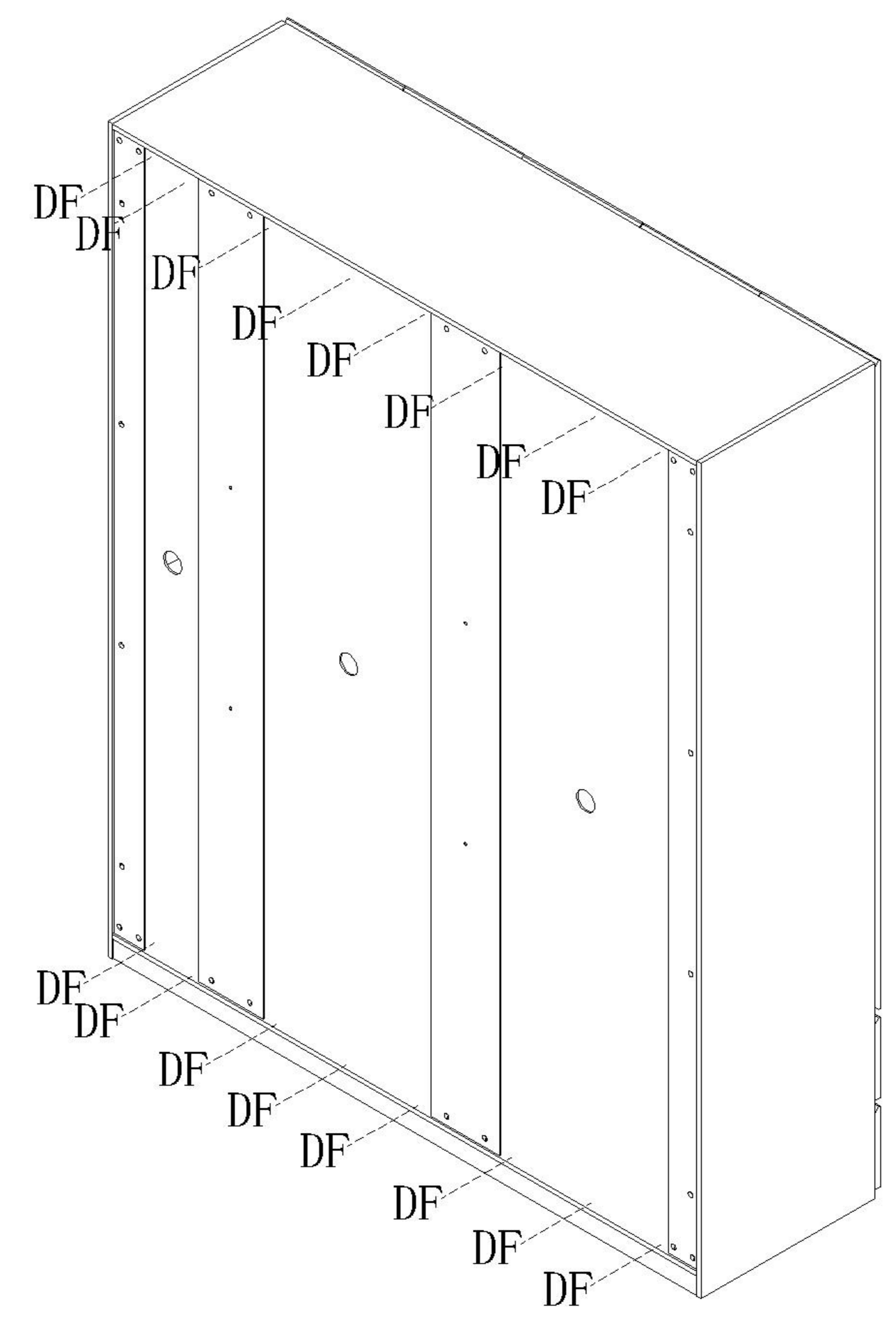
17

安装方法/
Installation method

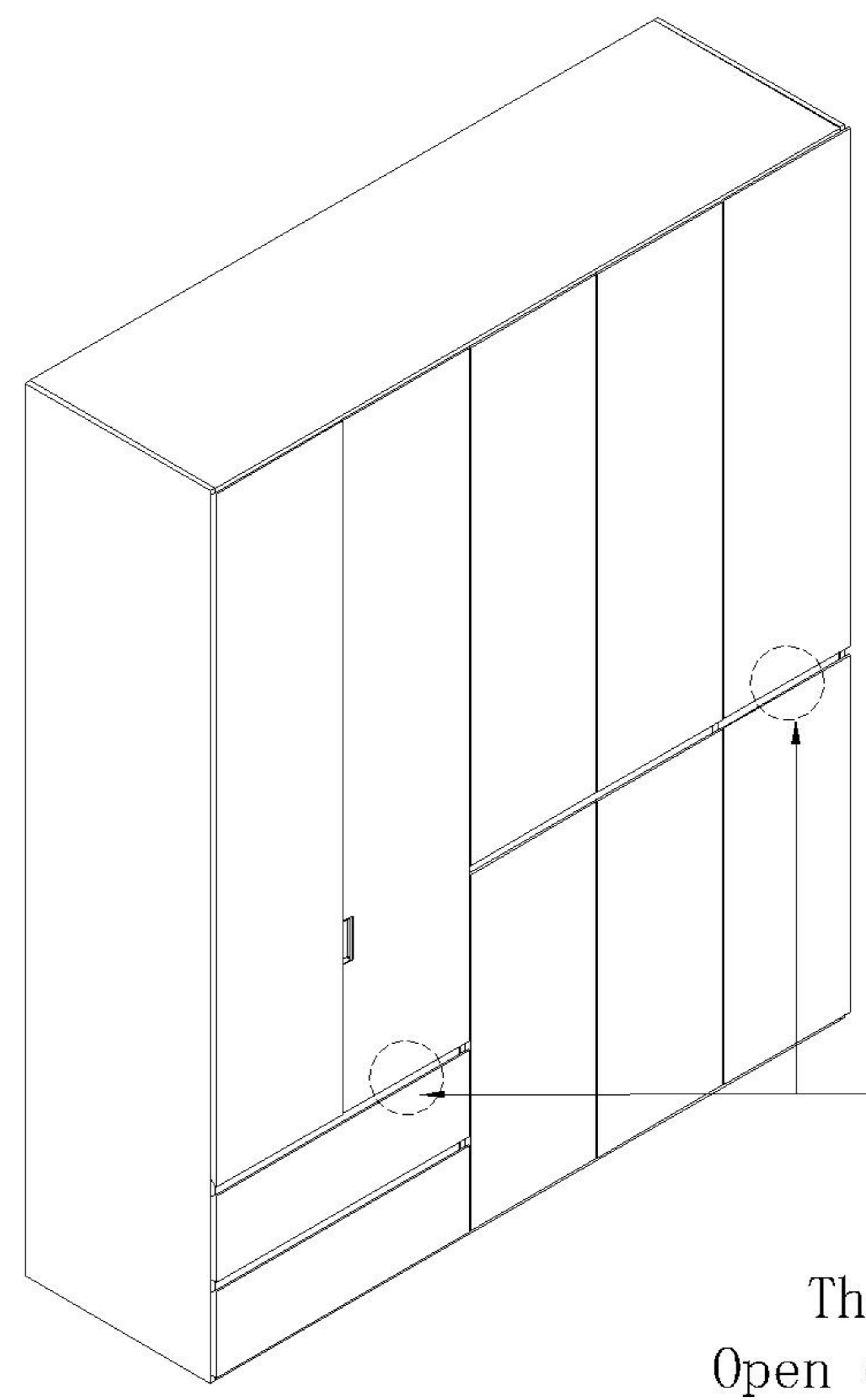
(D)*16
(F)*16



背板扣
Back Plate Buckle-White



18



此处缝隙设计为开
启抽屉、门板使用
小心夹伤

The gap here is designed as:
Open drawer and door panel for use
Beware of pinching