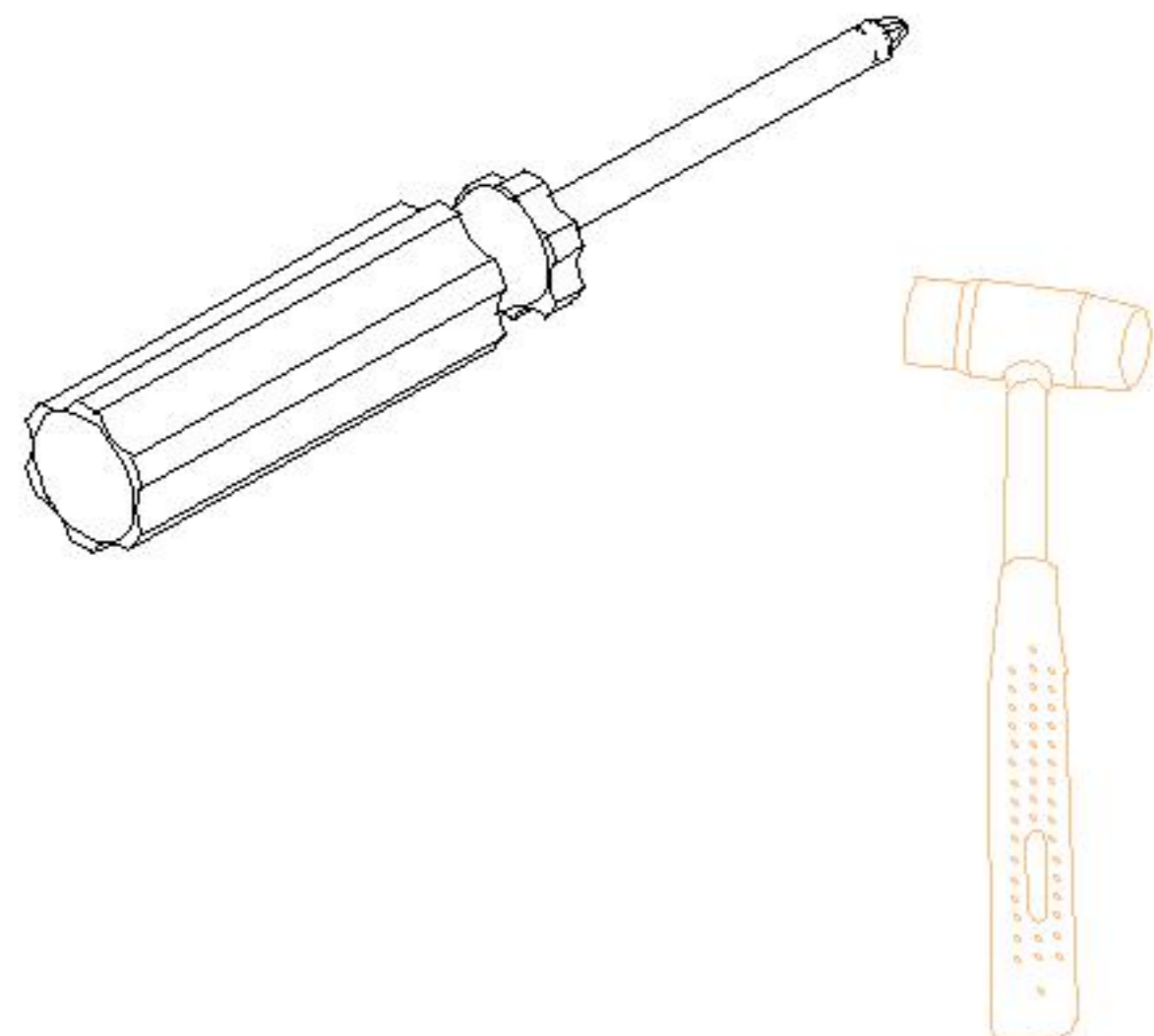
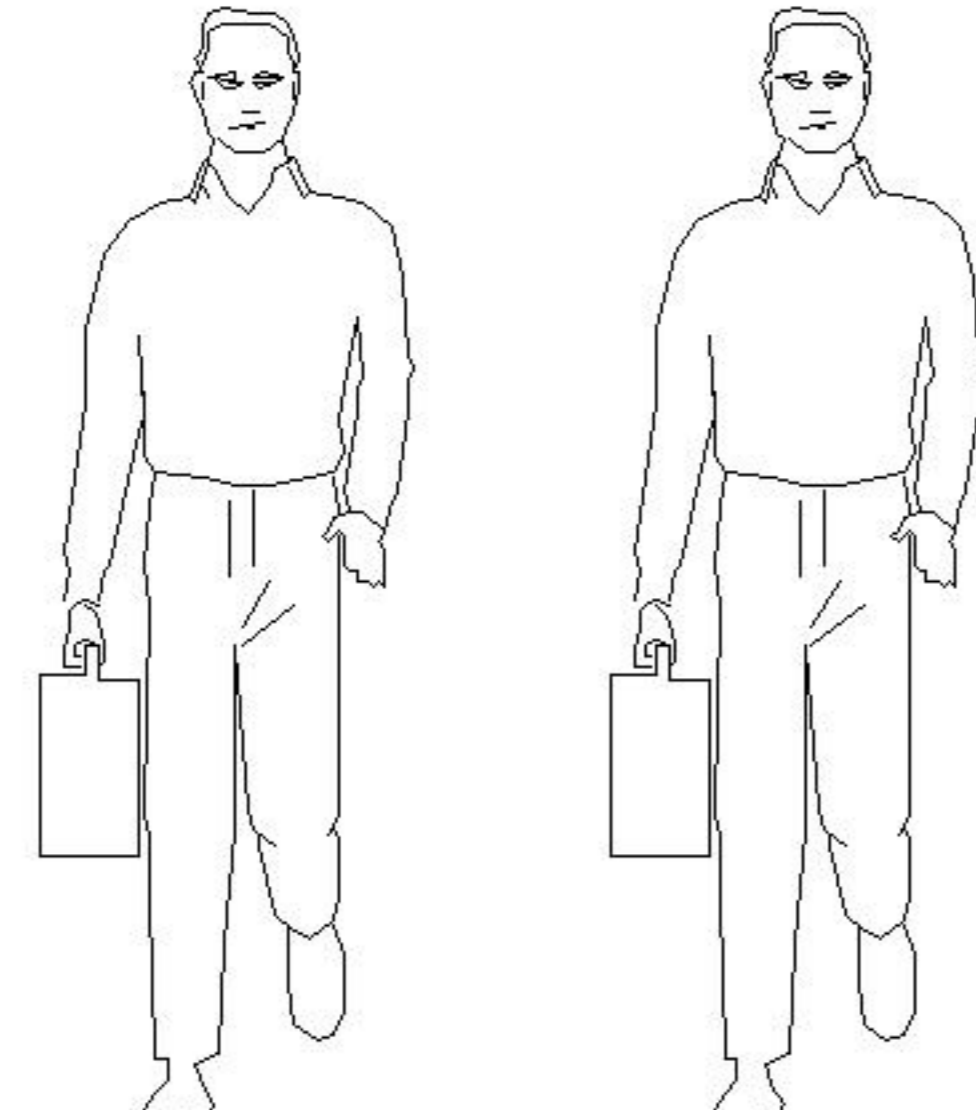
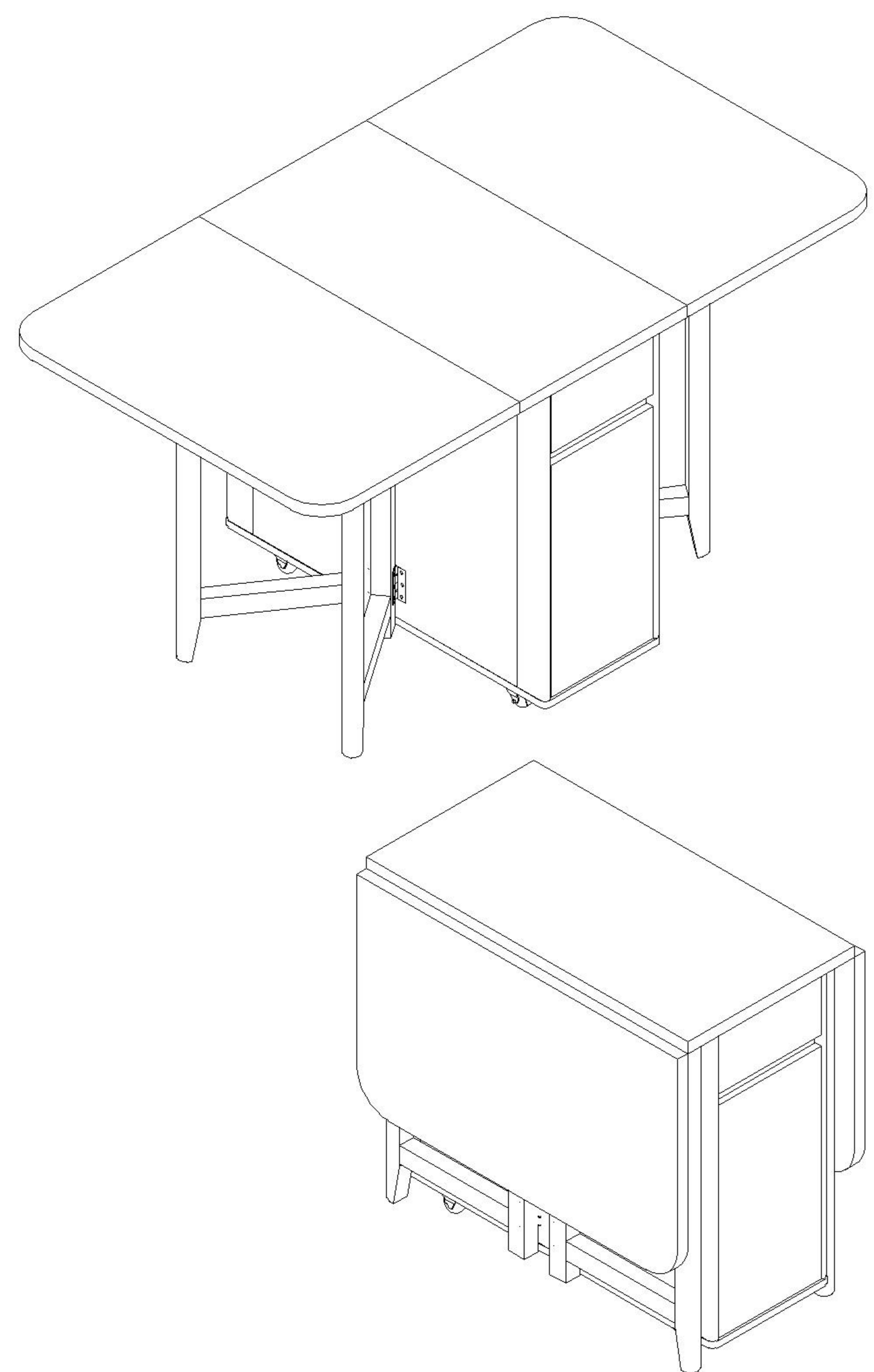


### 安装示意图/Assembly Instruction

产品名称 Model NO.	OU2R-A(木面)
产品规格 Specification	1400*800*754mm
安装工具 Tool	安装人数 Installer
	

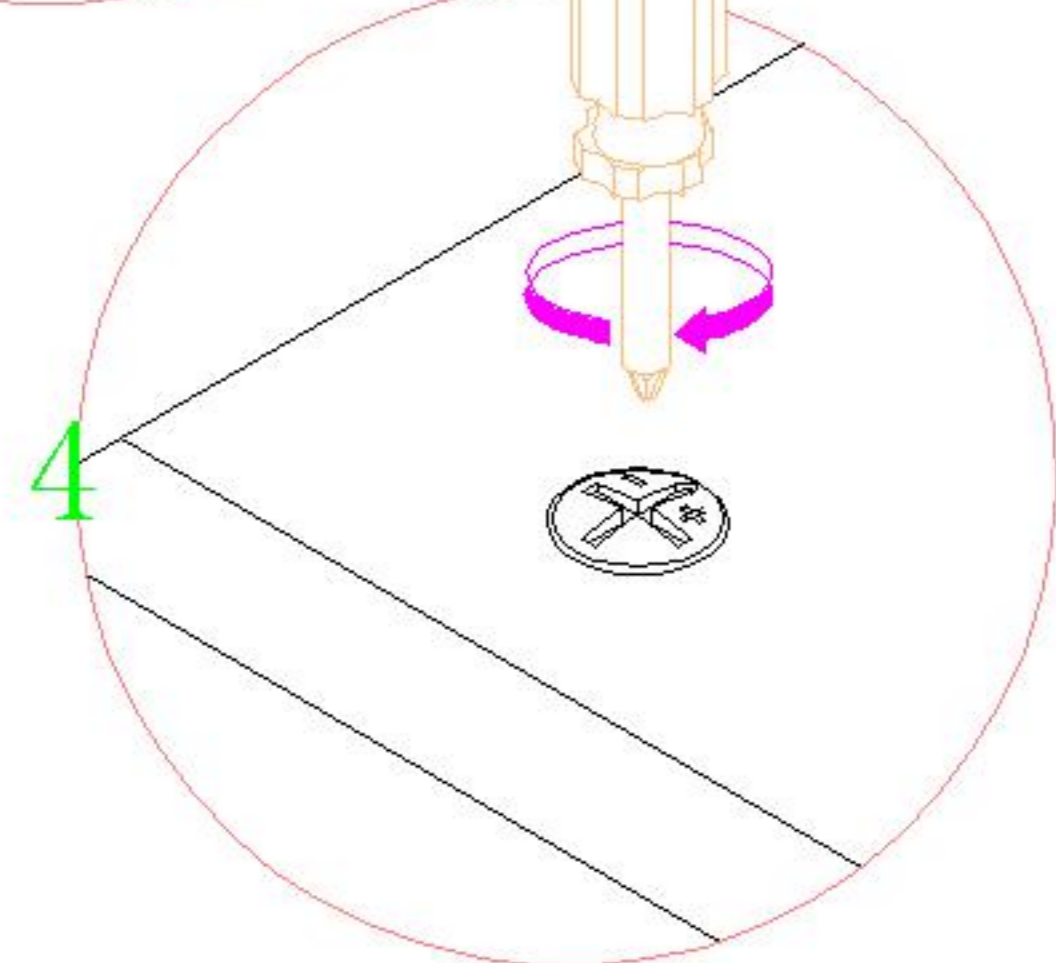
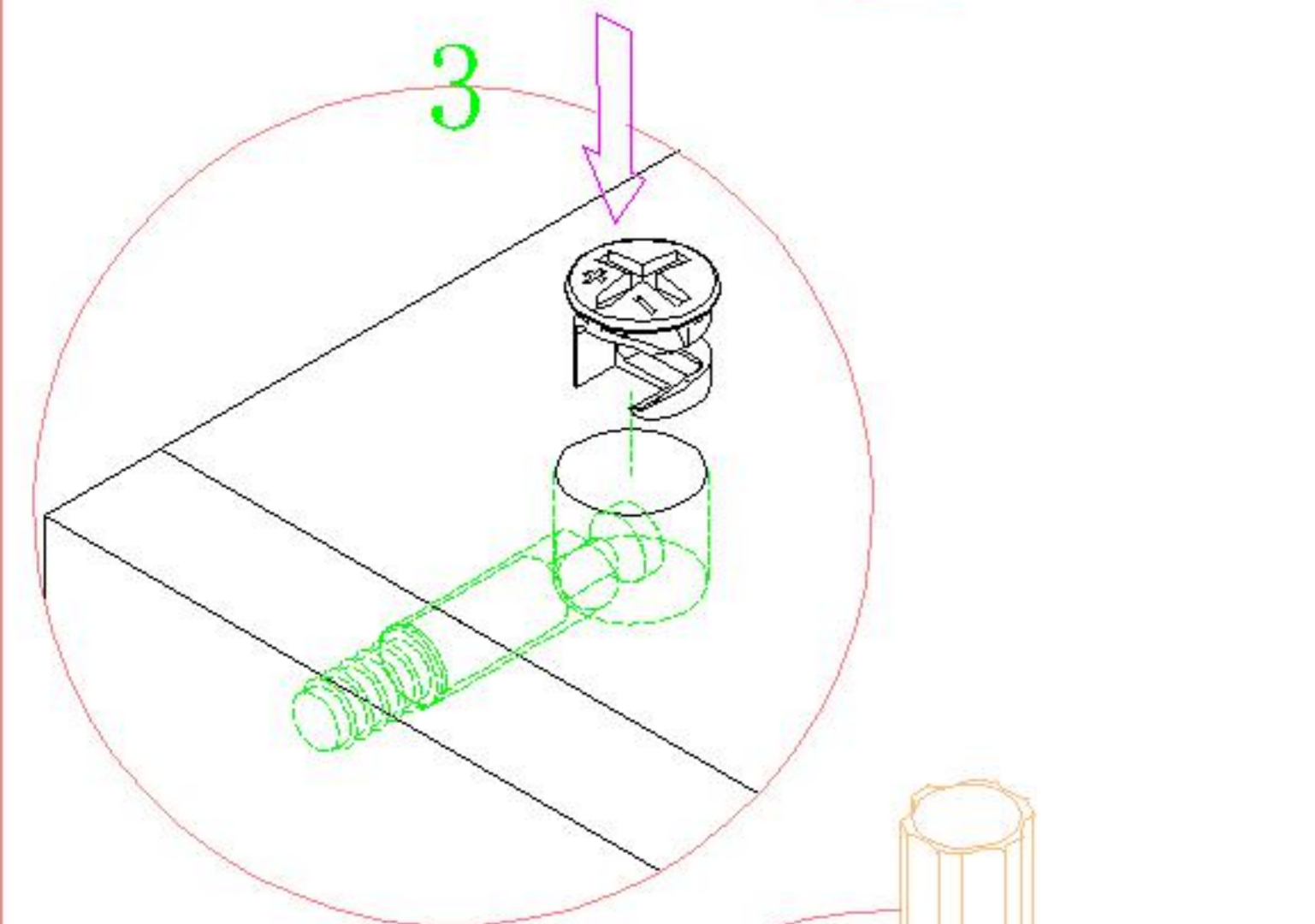
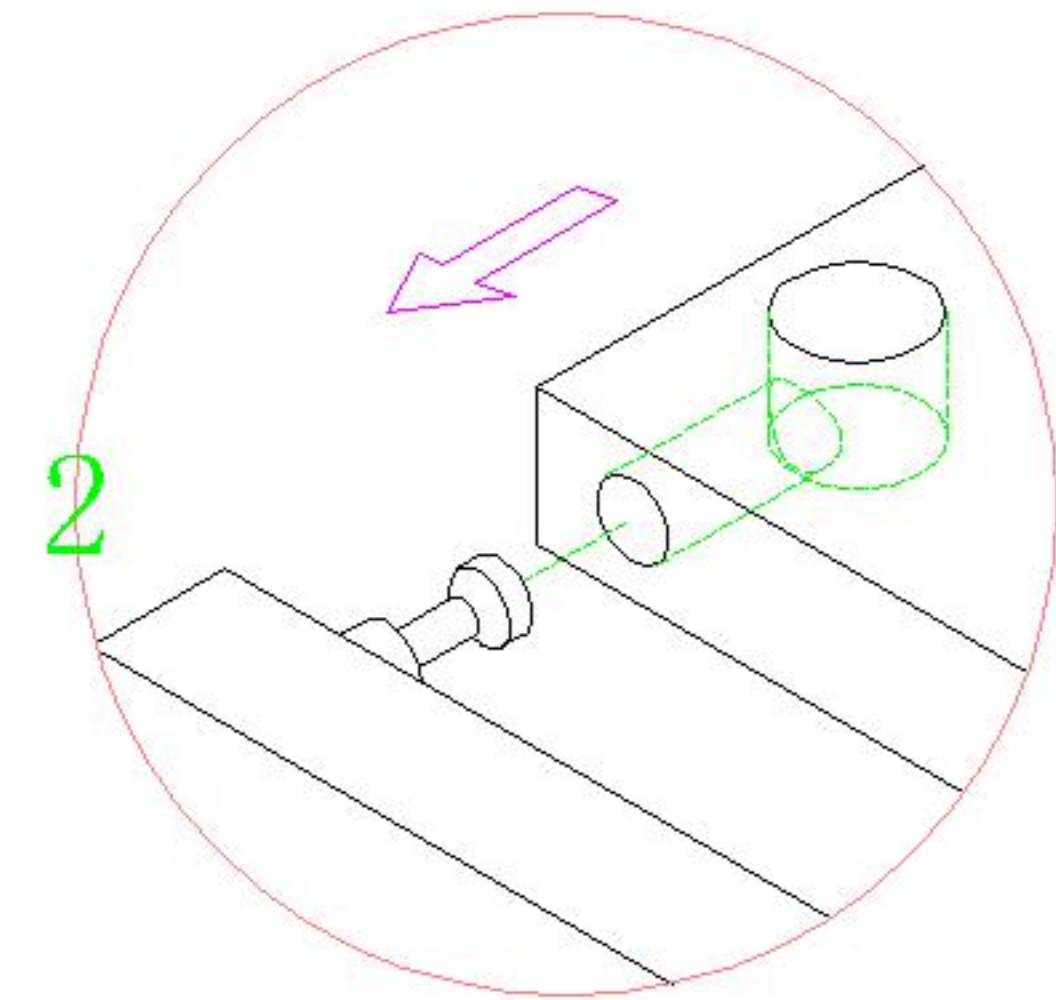
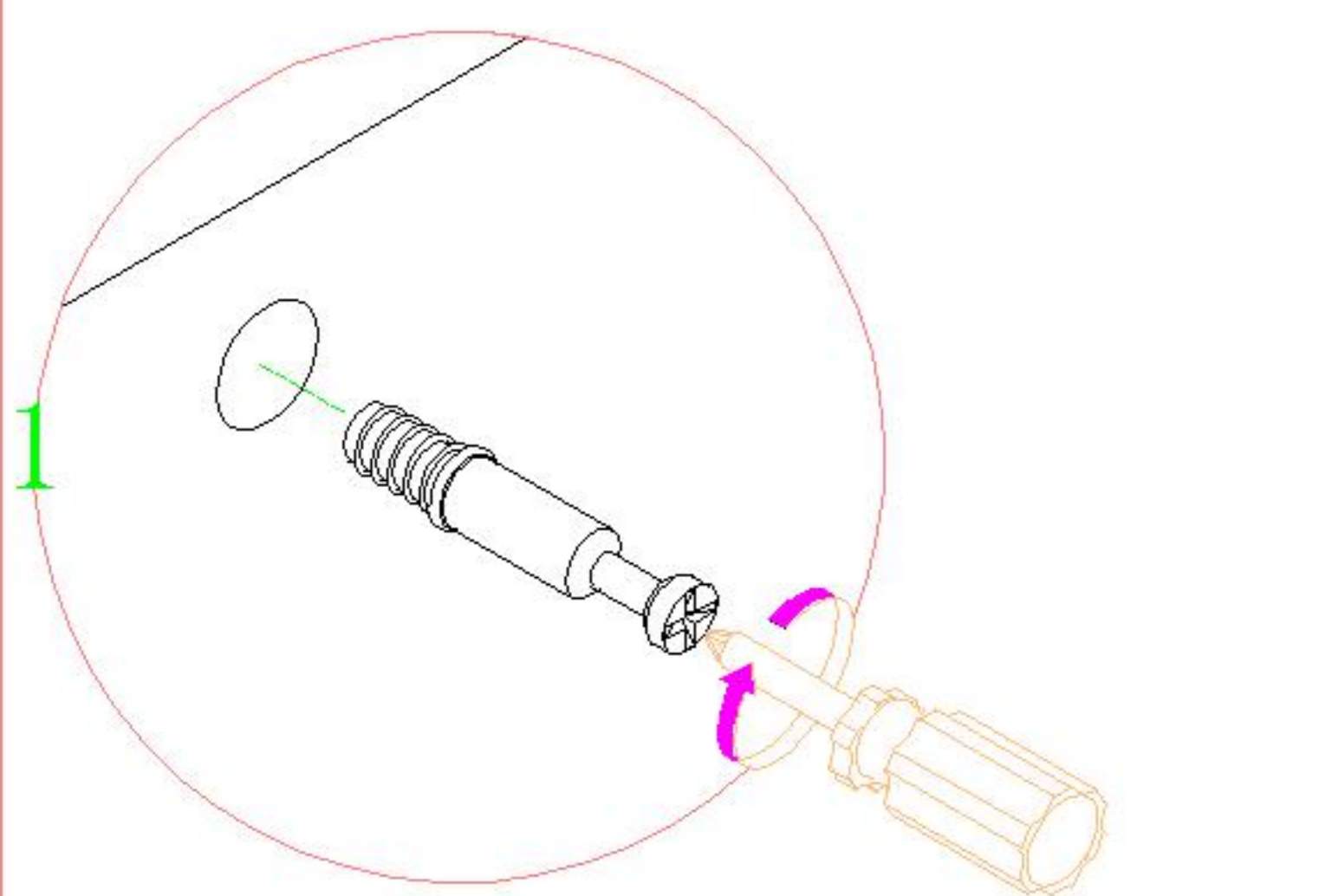


 (A)* 10 过山丝-M7x38mm Self-tapping screw galvanized	 (B)* 13 自攻螺丝M3.5x12mm Self-tapping screw	 (C)* 4 调节五金脚-M8x30 Adjusting foot	 (D)* 4 弹簧插销 Spring latch
 (E)* 2 缓冲门较大弯-Ø35 Hinge-big bends	 (F)* 34 二合一螺杆 2-in-1-screw	 (G)* 34 大三合一锁饼 Three-in-one large lock	 (H)* 42 木榫Ø8x30mm wood tenon
 (I)* 4 塑料螺母 Plastic Nut	 (J)* 4 小二合一杆 small two-in-one rod	 (K)* 4 小三合一锁饼 small three-in-one lock	 (L)* 8 半圆合页 Semicircular hinge
 (M)* 8 合页 Hinge	 (N)* 4 自攻螺丝M4x40mm Self-tapping screw	 (O)* 1 内六角扳手4mm spanner-(4mm) hex	 (P)* 4 脚垫-灰色 Footrest - Grey
 (Q)* 4 透明防撞垫片 anti-collision gasket	 (R)* 122 自攻螺丝M3.5x14mm Self-tapping screw	 (S)* 2 万向轮 Universal wheel	 (T)* 4 活动层板托 Movable shelf support
 (U)* 2 反弹器 Buffer	 (V)* 17 自攻大扁M4*16mm Self tapping flat screw	 (W)* 1 三节滚珠导轨-10" three-section ball rail	 (X)* 2 定向轮 Directional wheel

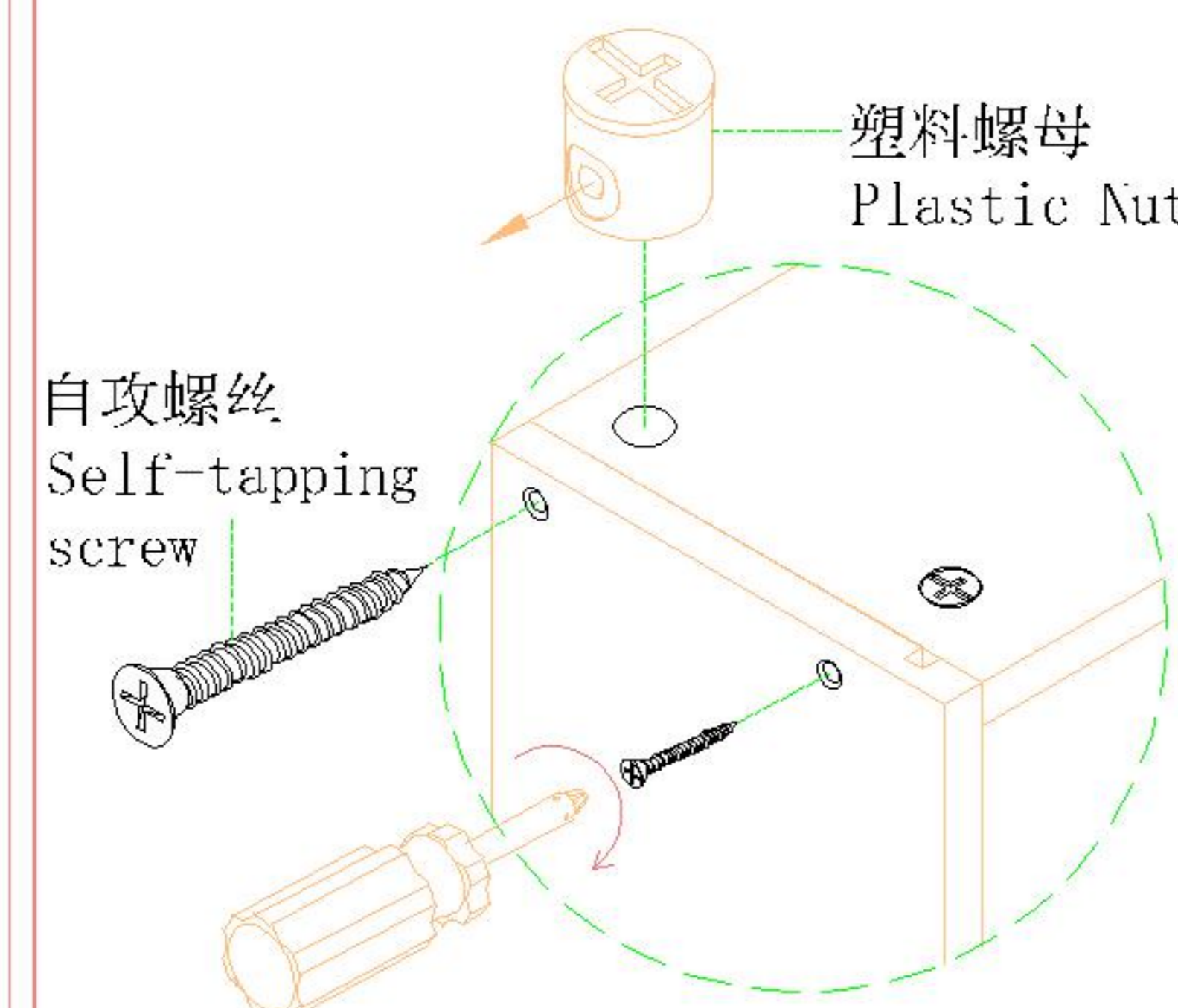
编号NO.	名称Name	规格 (mm) Specification	数量 QTY	材质Material
①	边面板 Side panel	800*493*25	2	三胺板Melamine
②	面板 Top panel	800*414*25	1	三胺板Melamine
③	装饰板1 Decoration board 1	654*70*15	1	实木Wood
④	装饰板2 Decoration board 2	654*70*15	1	实木Wood
⑤	装饰板3 Decoration board 3	654*70*15	1	实木Wood
⑥	装饰板4 Decoration board 4	654*70*15	1	实木Wood
⑦	侧板 Side board	654*654*15	2	三胺板Melamine
⑧	拉条 Brace	258*58*15	1	三胺板Melamine
⑨	背板 Back board	654*258*15	1	三胺板Melamine
⑩	底板 Bottom board	796*290*15	1	三胺板Melamine
⑪	左脚框 Foot frame(L)	711*350*35	2	实木Wood
⑫	门板 Door board	499*254*15	1	三胺板Melamine
⑬	抽屉面板 Drawer's top panel	254*126*15	1	三胺板Melamine
⑭	抽屉右侧板 Drawer's side board(R)	295*78*12	1	三胺板Melamine
⑮	抽屉左侧板 Drawer's side board(L)	295*78*12	1	三胺板Melamine
⑯	抽屉后板 Drawer's Back board	208*78*12	1	三胺板Melamine
⑰	抽屉底板 Drawer's Bottom board	218*291*5	1	三胺板Melamine
⑱	右脚框 Foot frame(R)	711*350*35	2	实木Wood

OU2R-A(木面)

安装方法/  
Installation method



小二合一  
small two-in-one



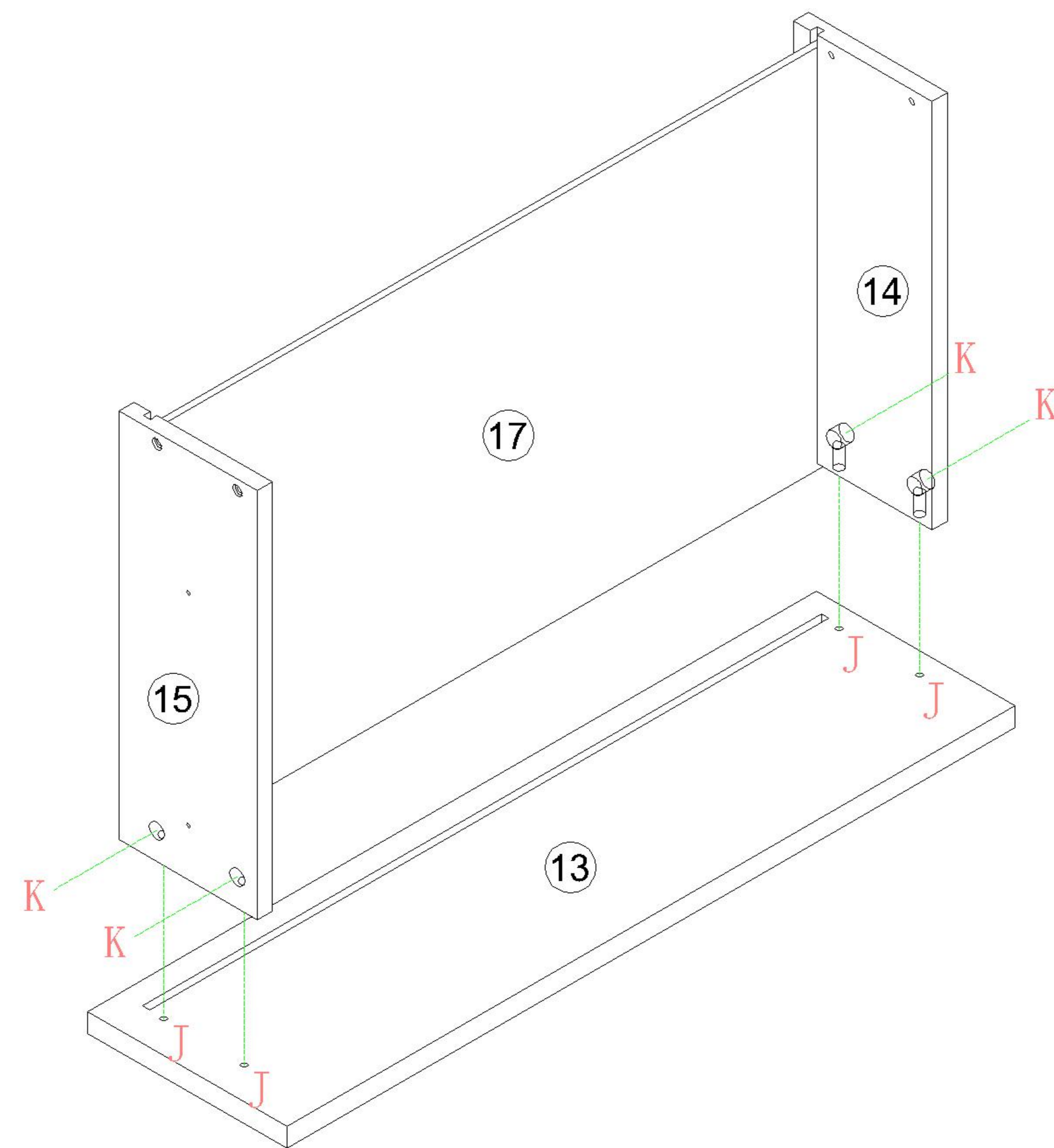
塑料螺母  
Plastic Nut



(J)\*4



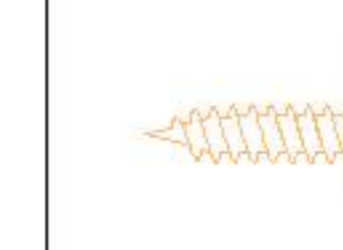
(K)\*4



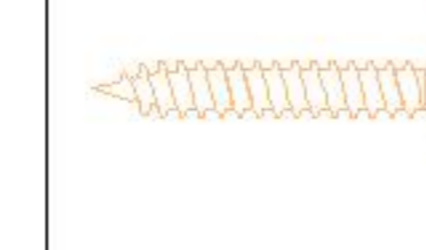
1



(I)\*4



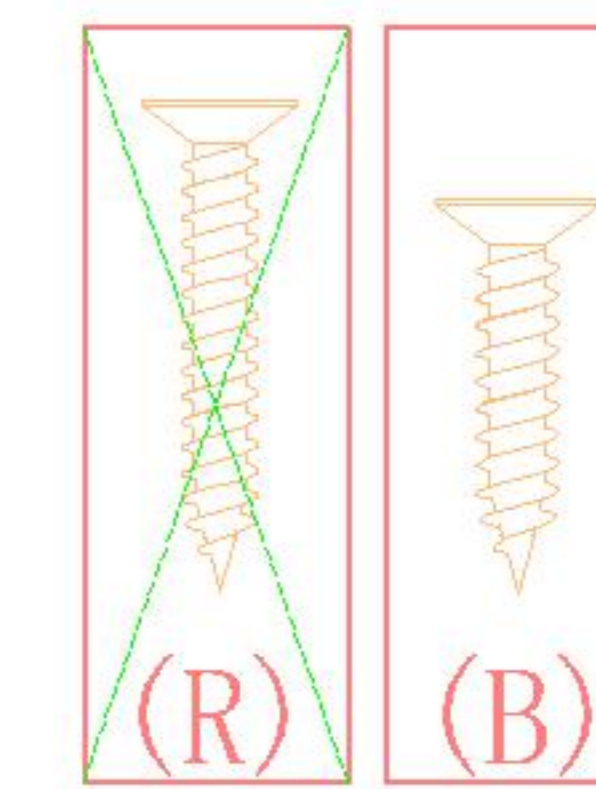
(B)\*6



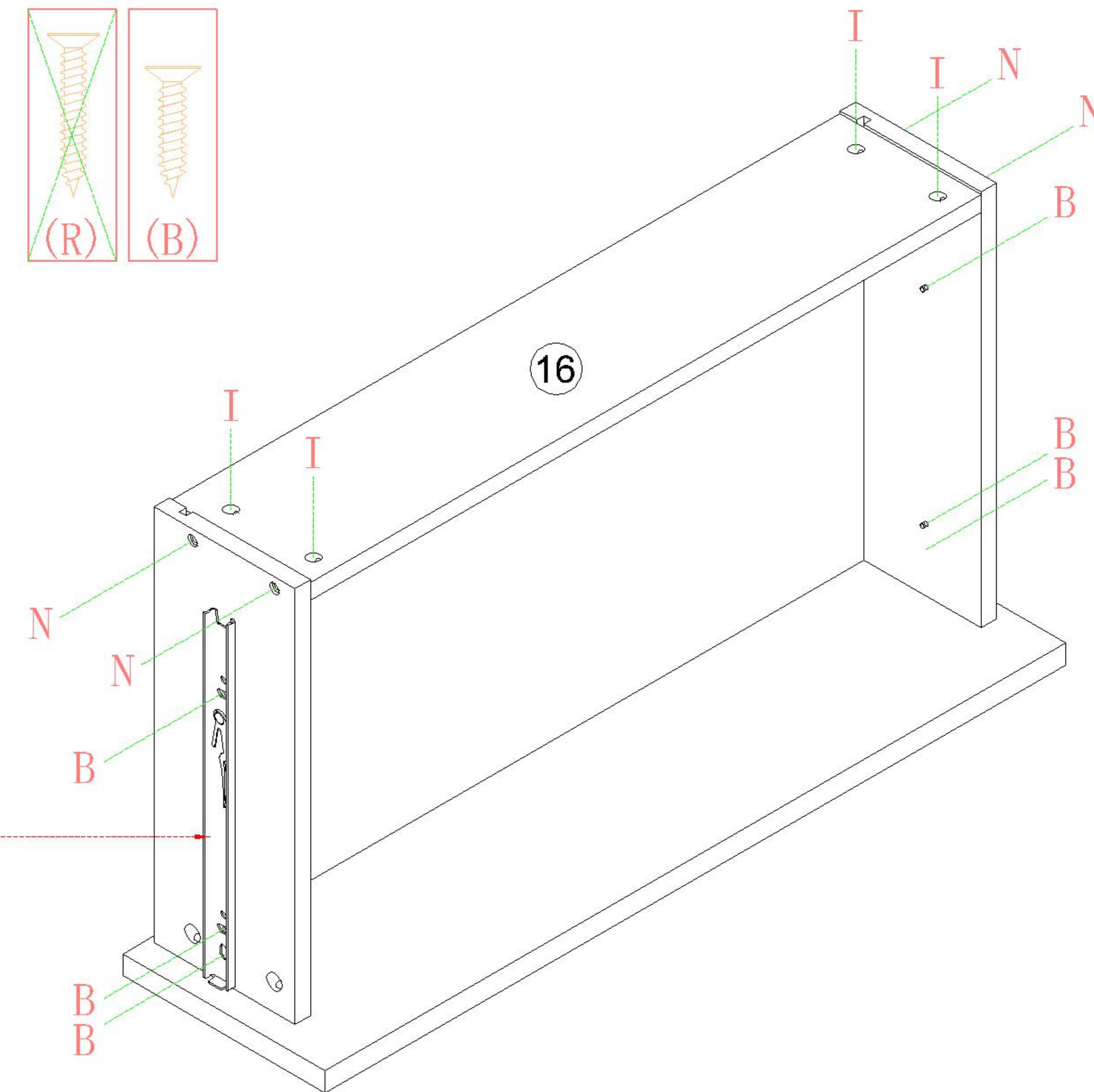
(N)\*4



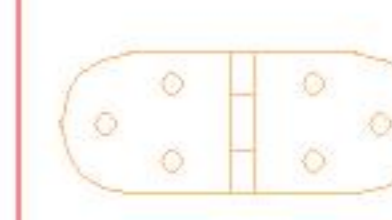
(W)\*1



(W) 副轨  
Sub rail



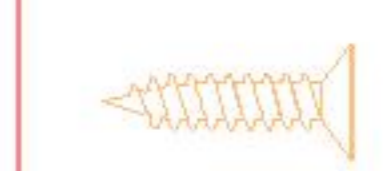
2



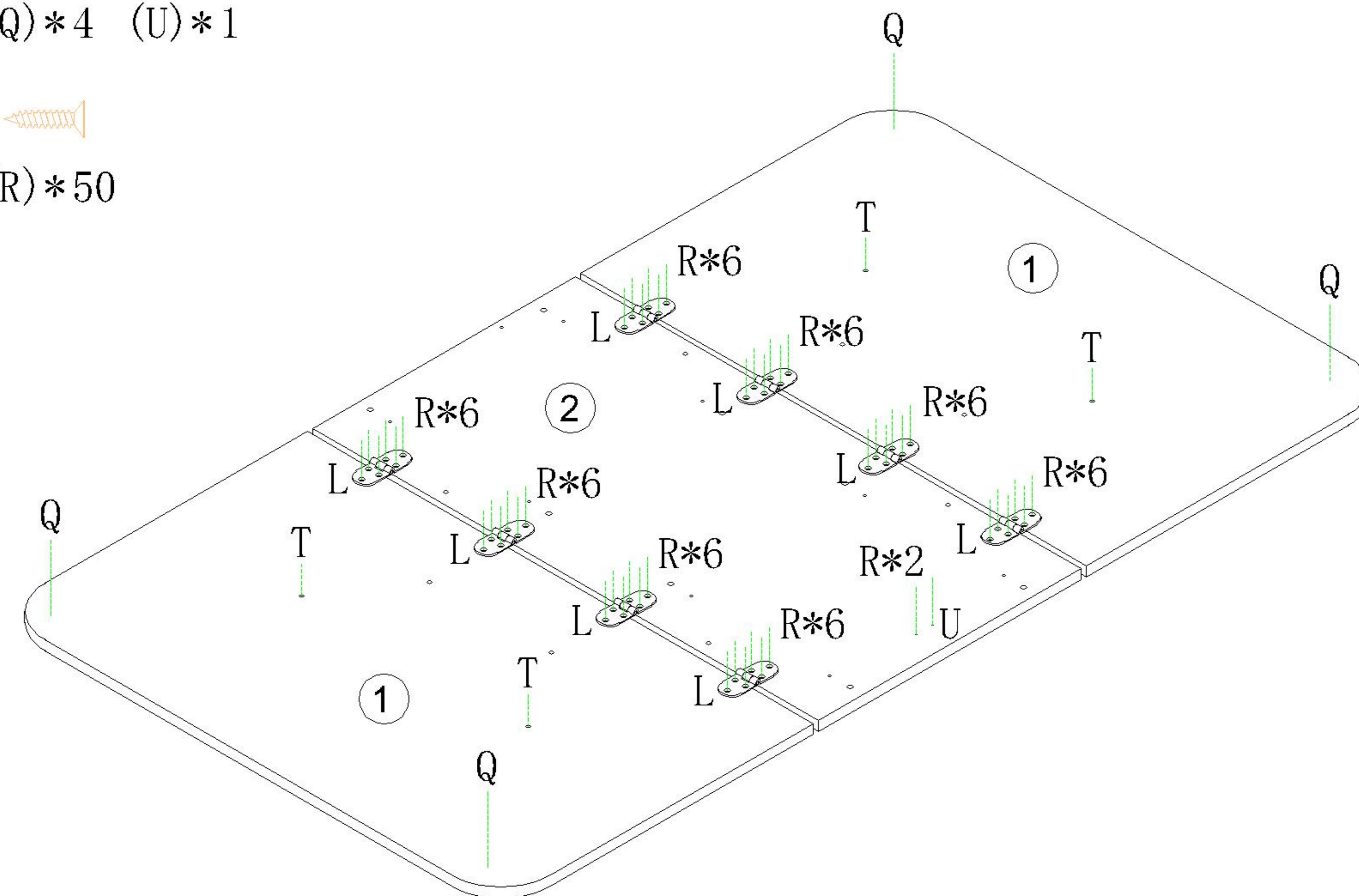
(L)\*8 (T)\*4



(Q)\*4 (U)\*1



(R)\*50



3



(C)\*4



(D)\*4



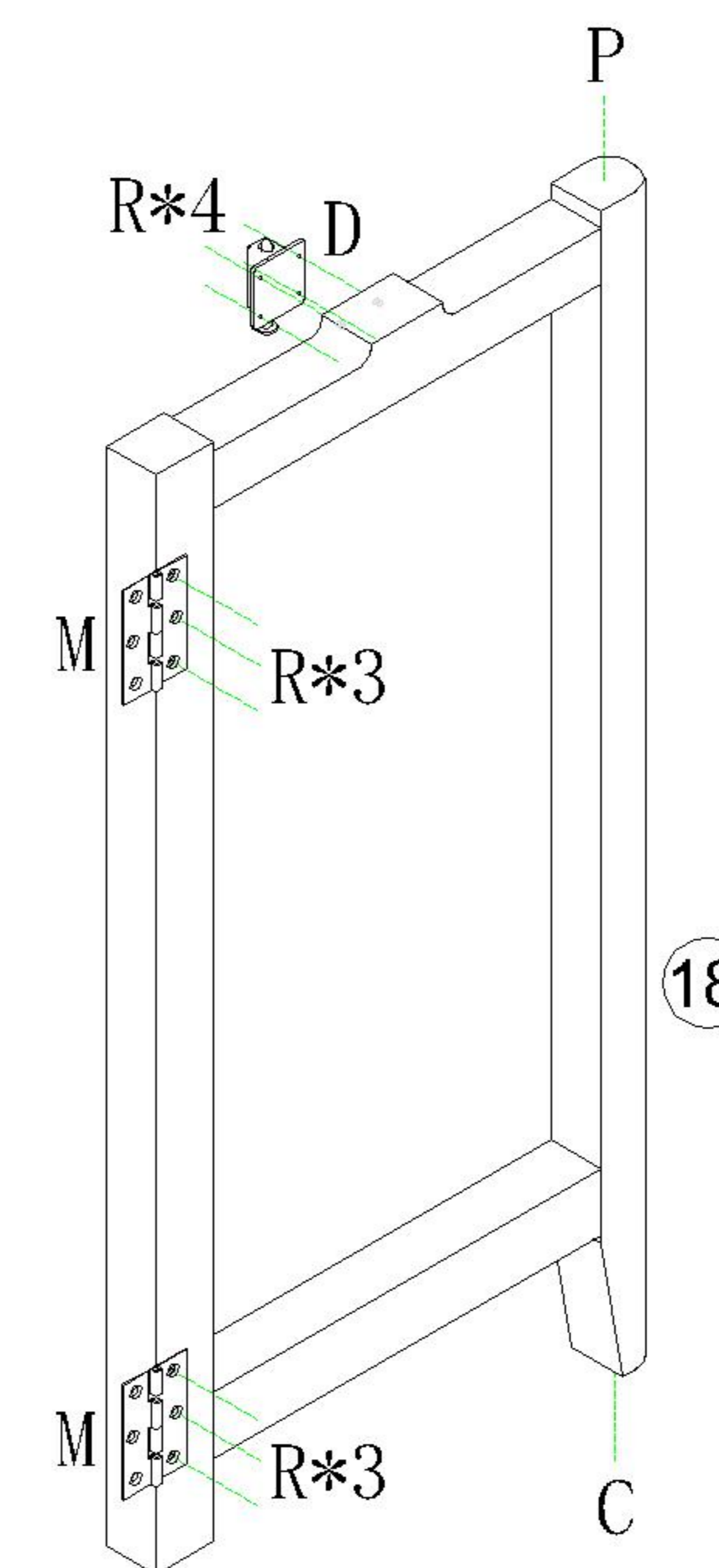
(M)\*8



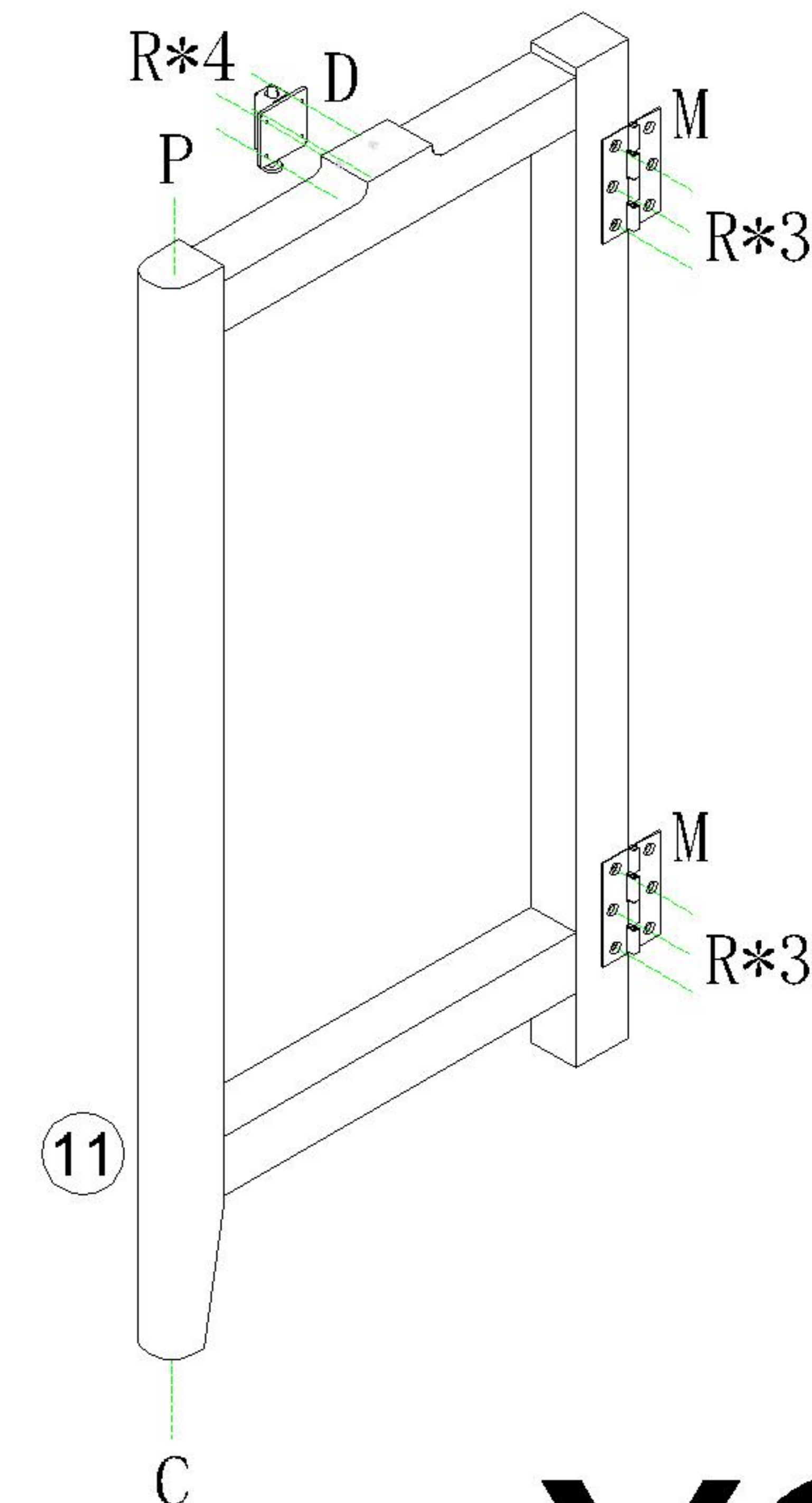
(P)\*4



(R)\*40



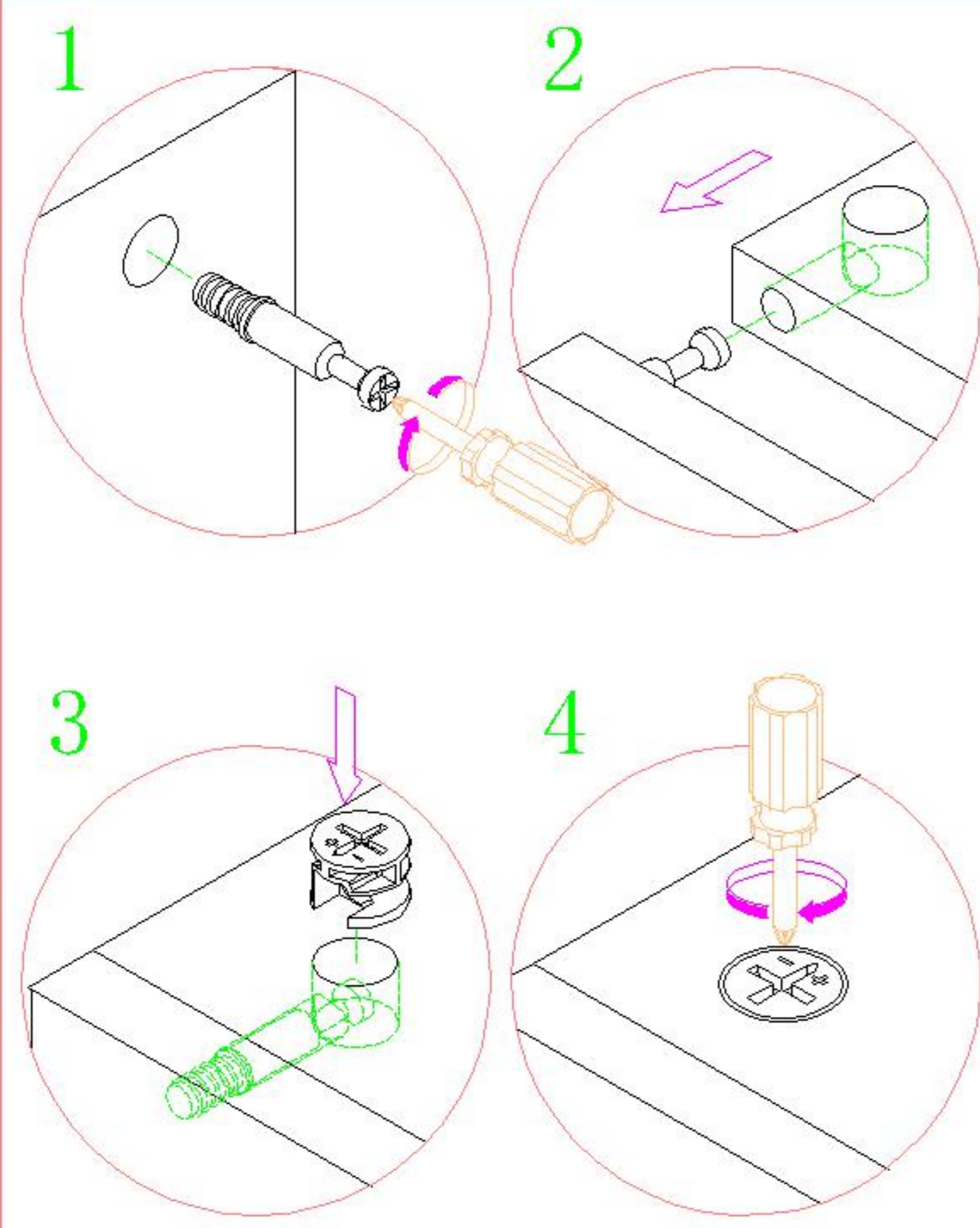
4



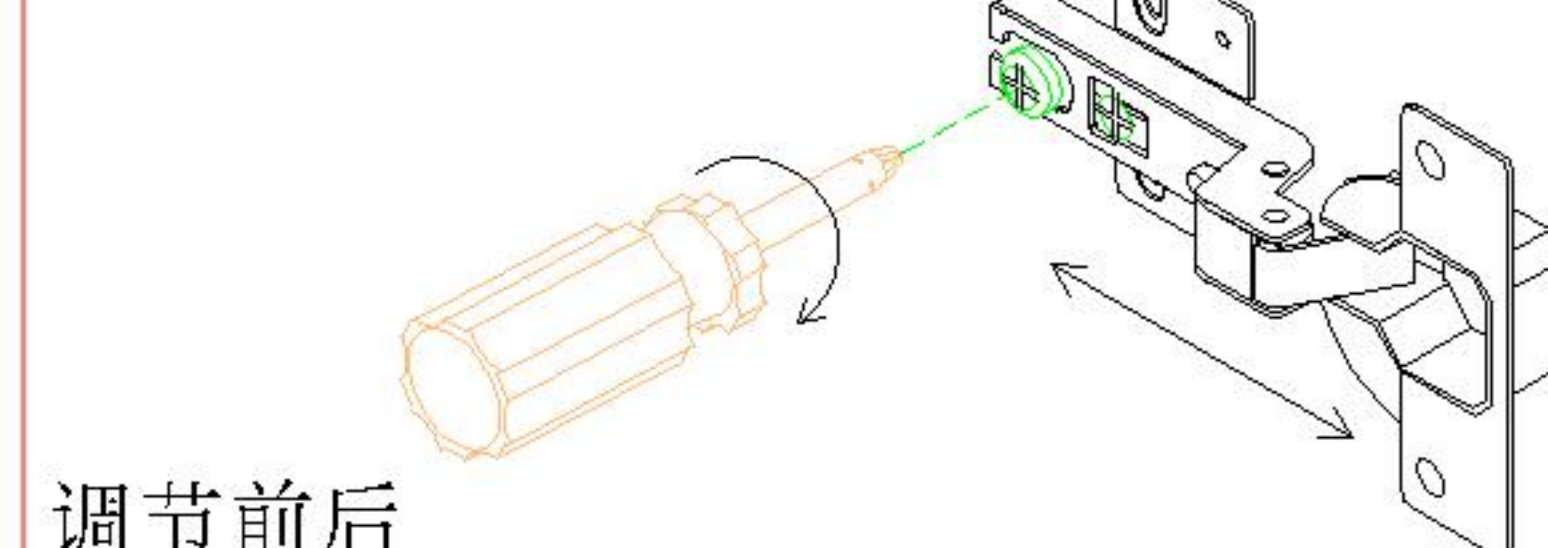
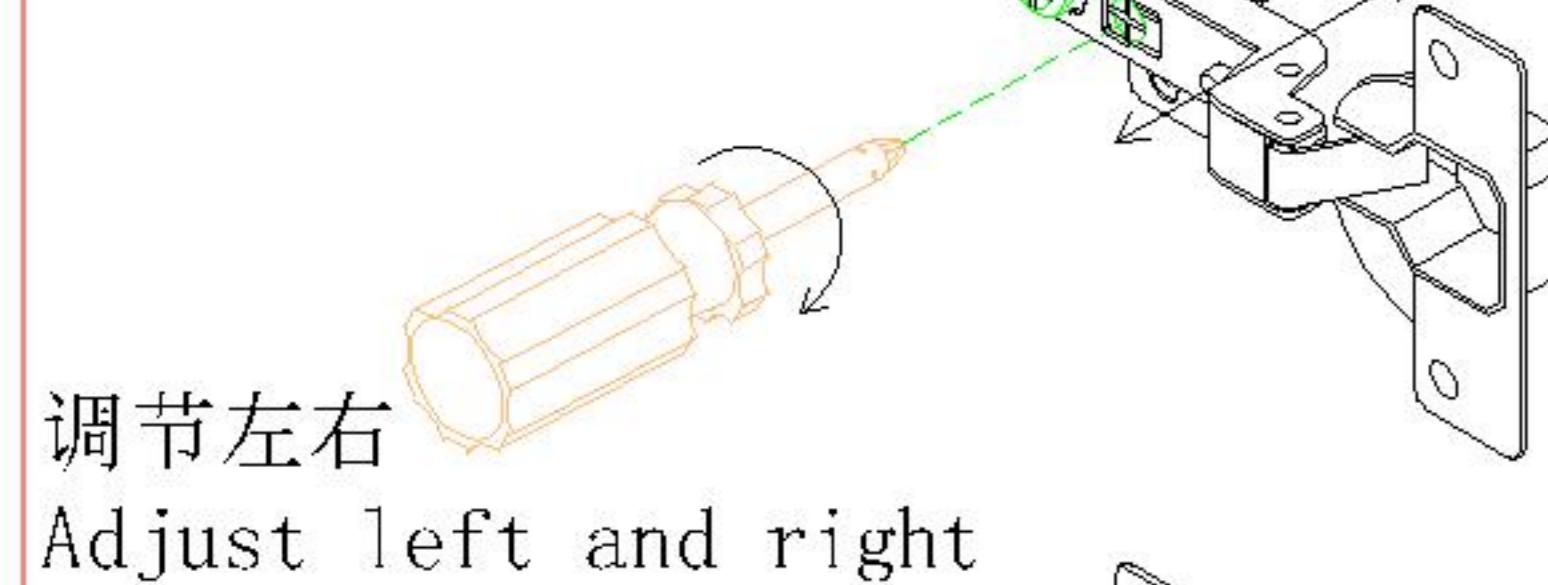
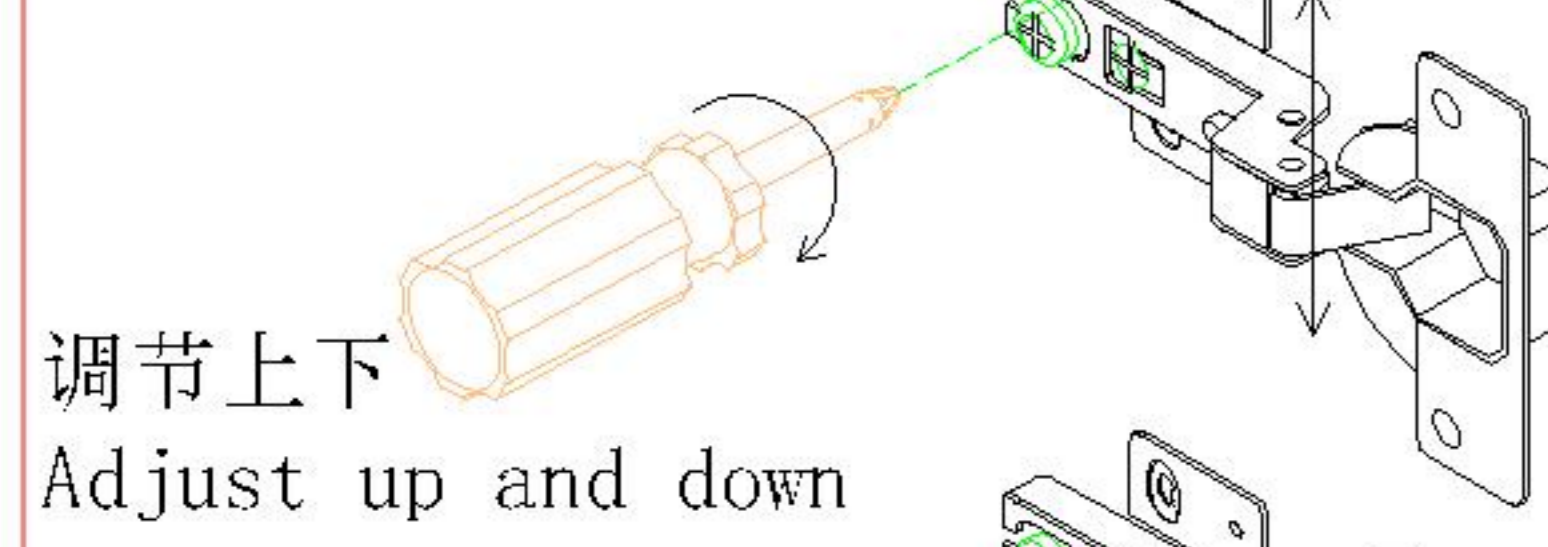
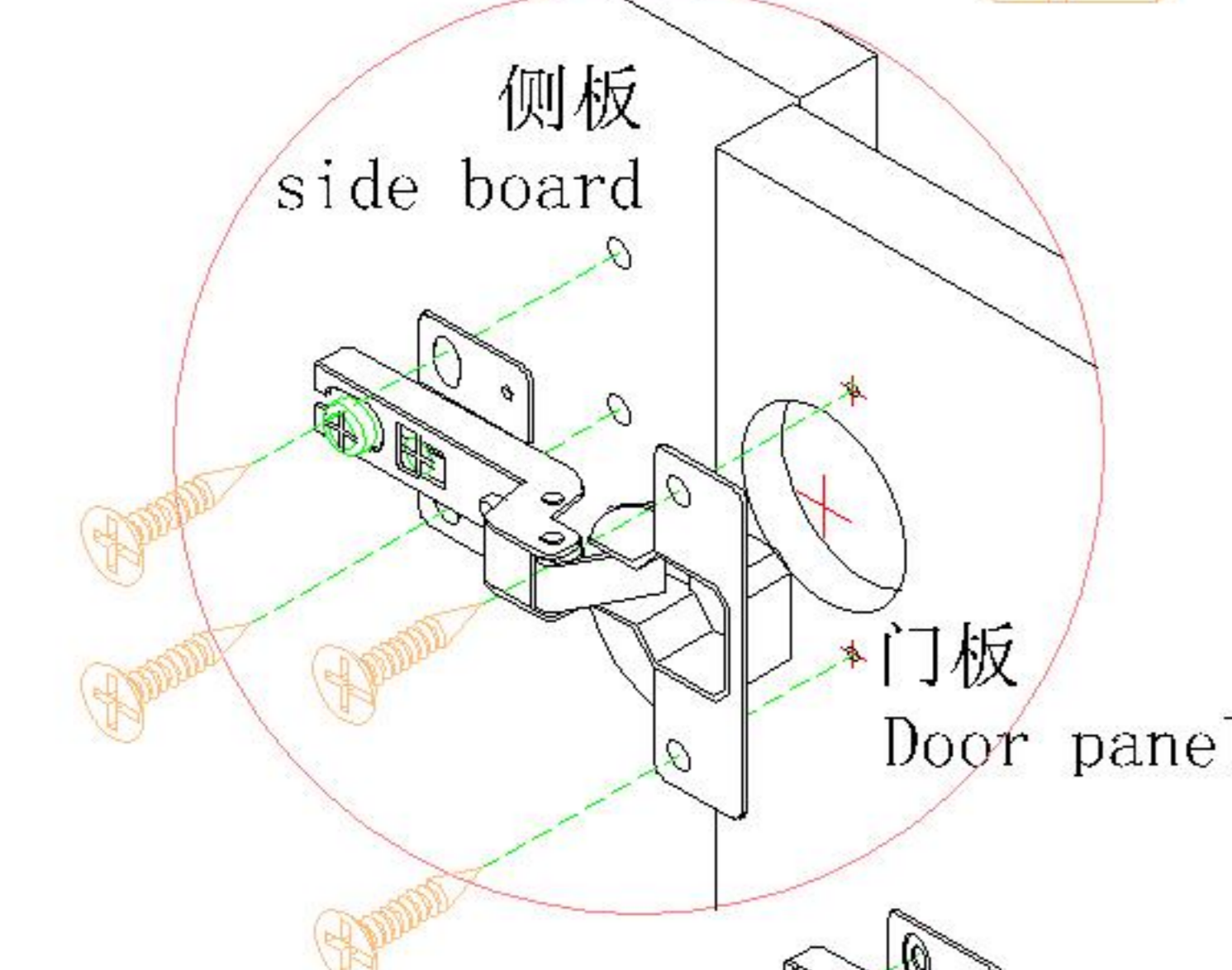
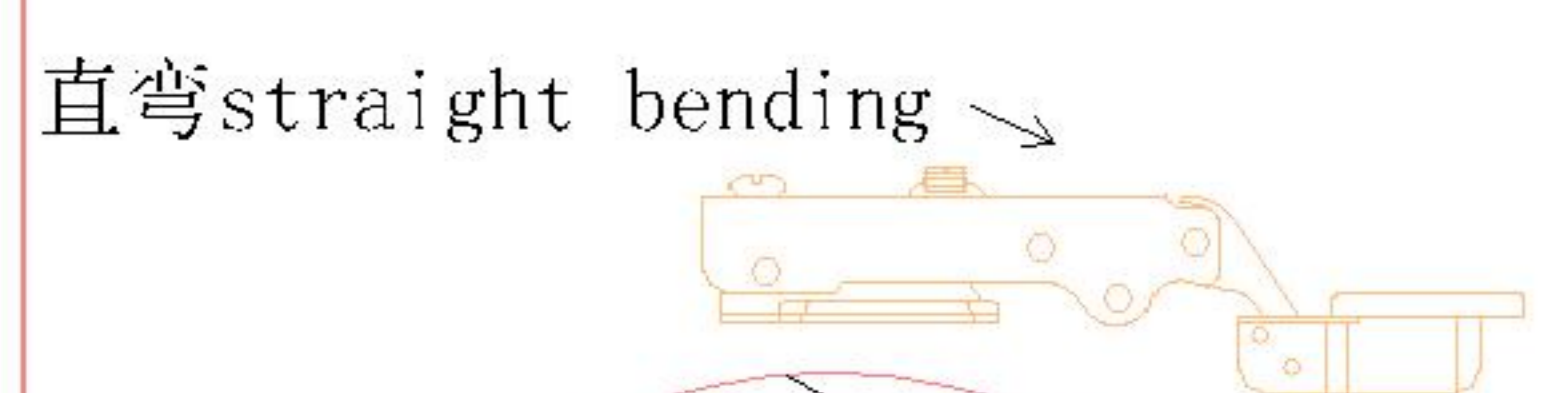
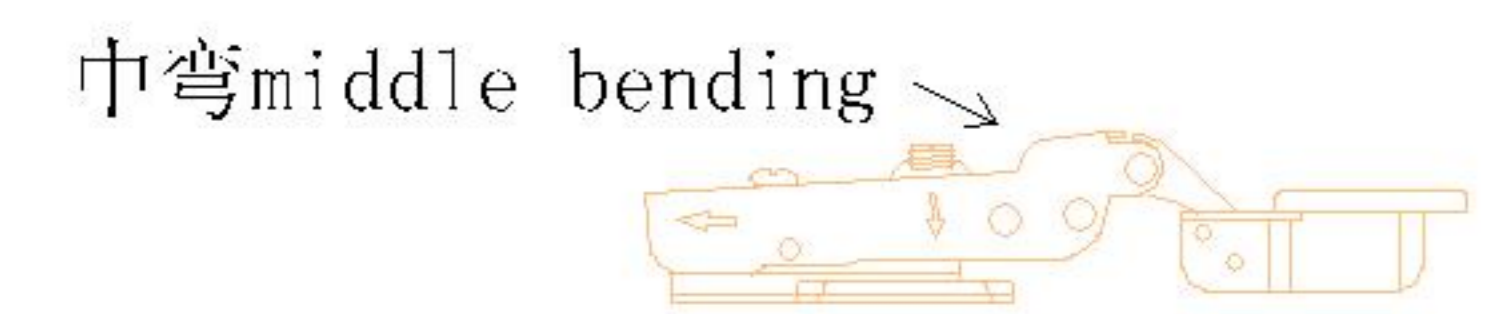
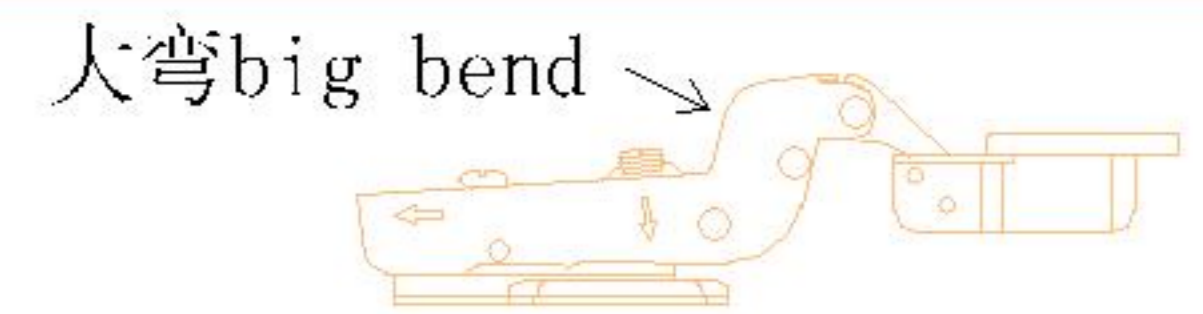
X2

OU2R-A(木面)

安装方法/  
Installation method

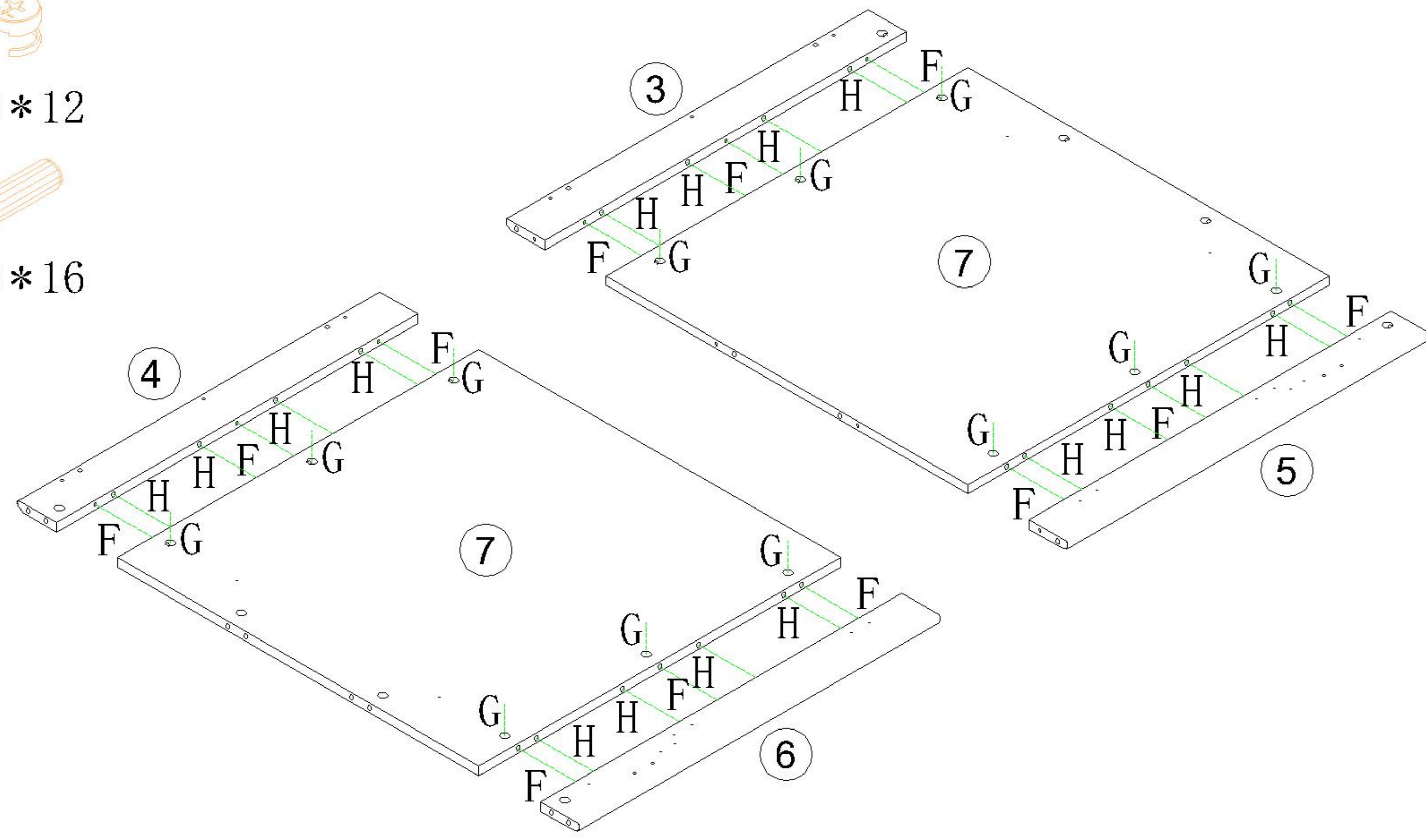


大二合一  
two-in-one



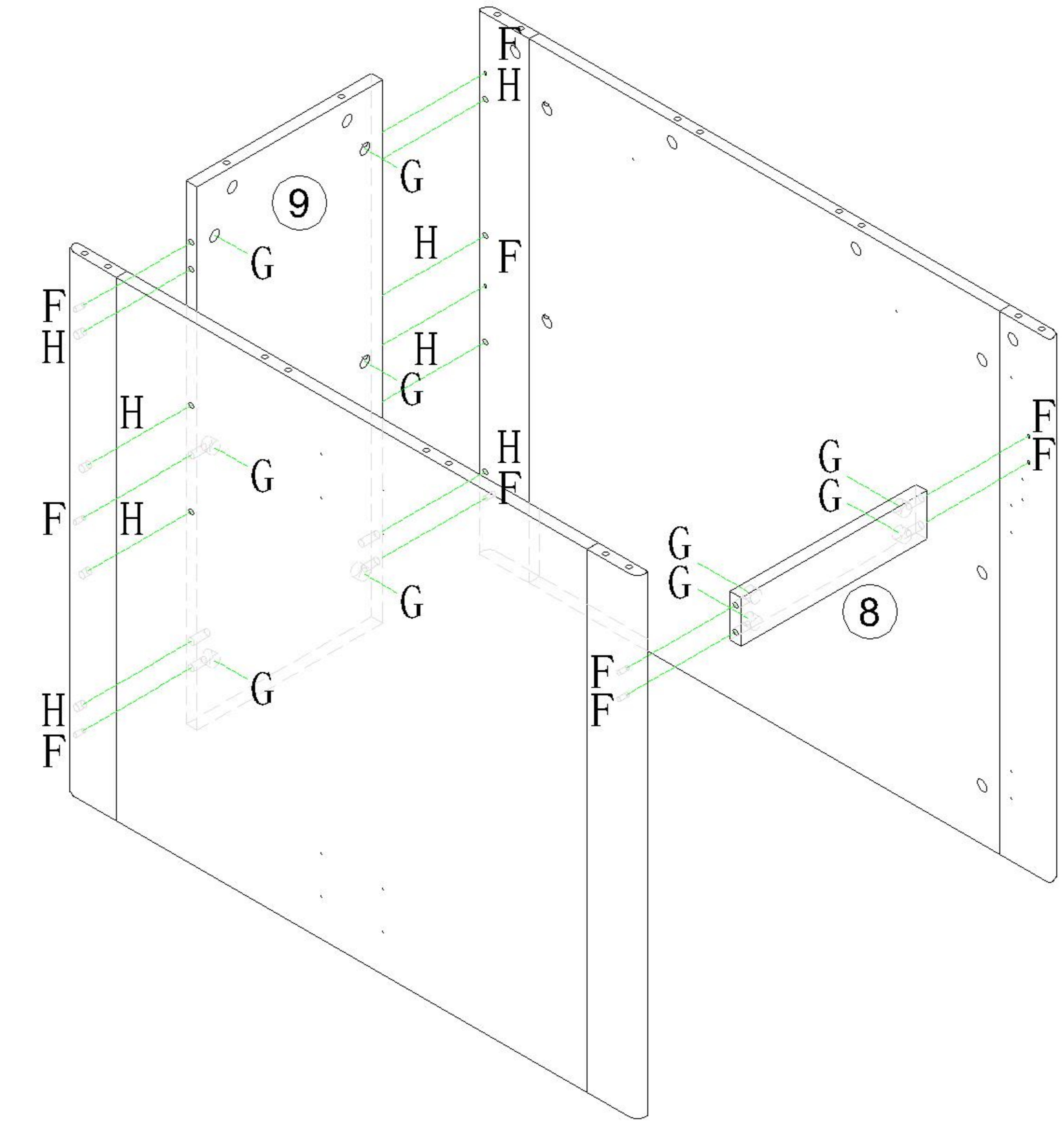
门铰  
Hinge

- (F)\*12
- (G)\*12
- (H)\*16



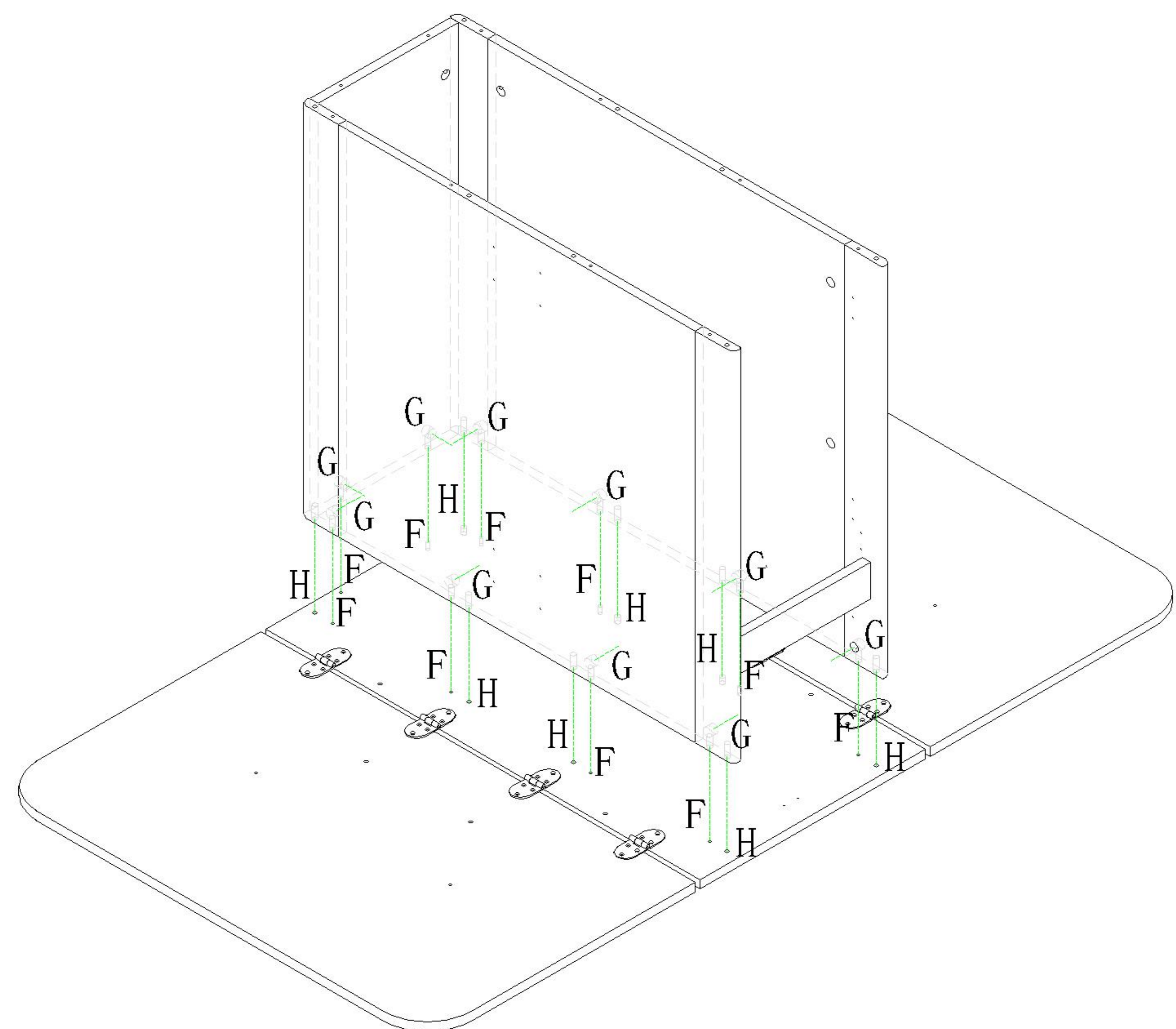
5

- (F)\*10
- (G)\*10
- (H)\*8



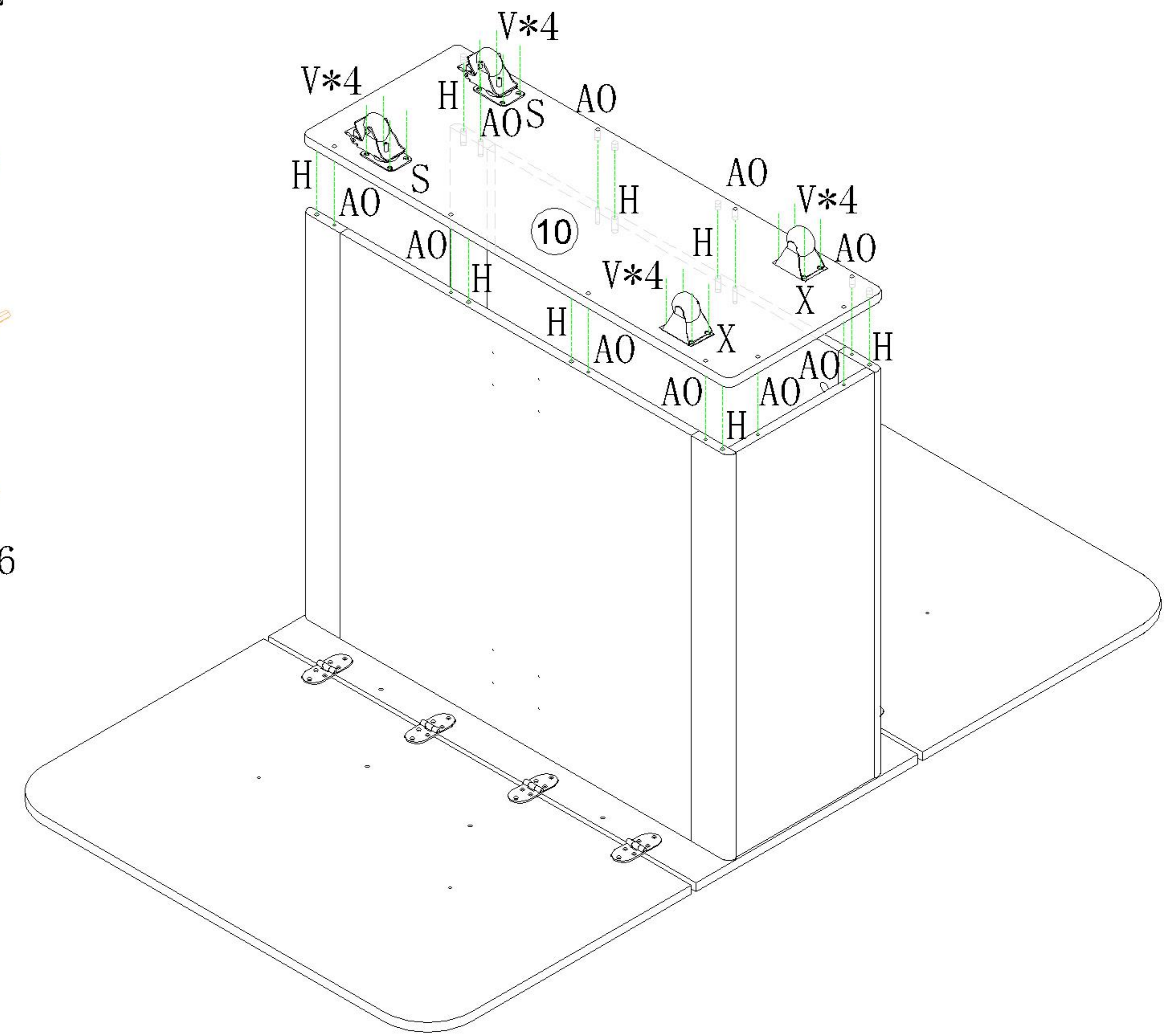
6

- (F)\*10
- (G)\*10
- (H)\*8



7

- (A)\*8
- (H)\*8
- (O)\*1
- (V)\*16
- (X)\*2
- (S)\*2



8

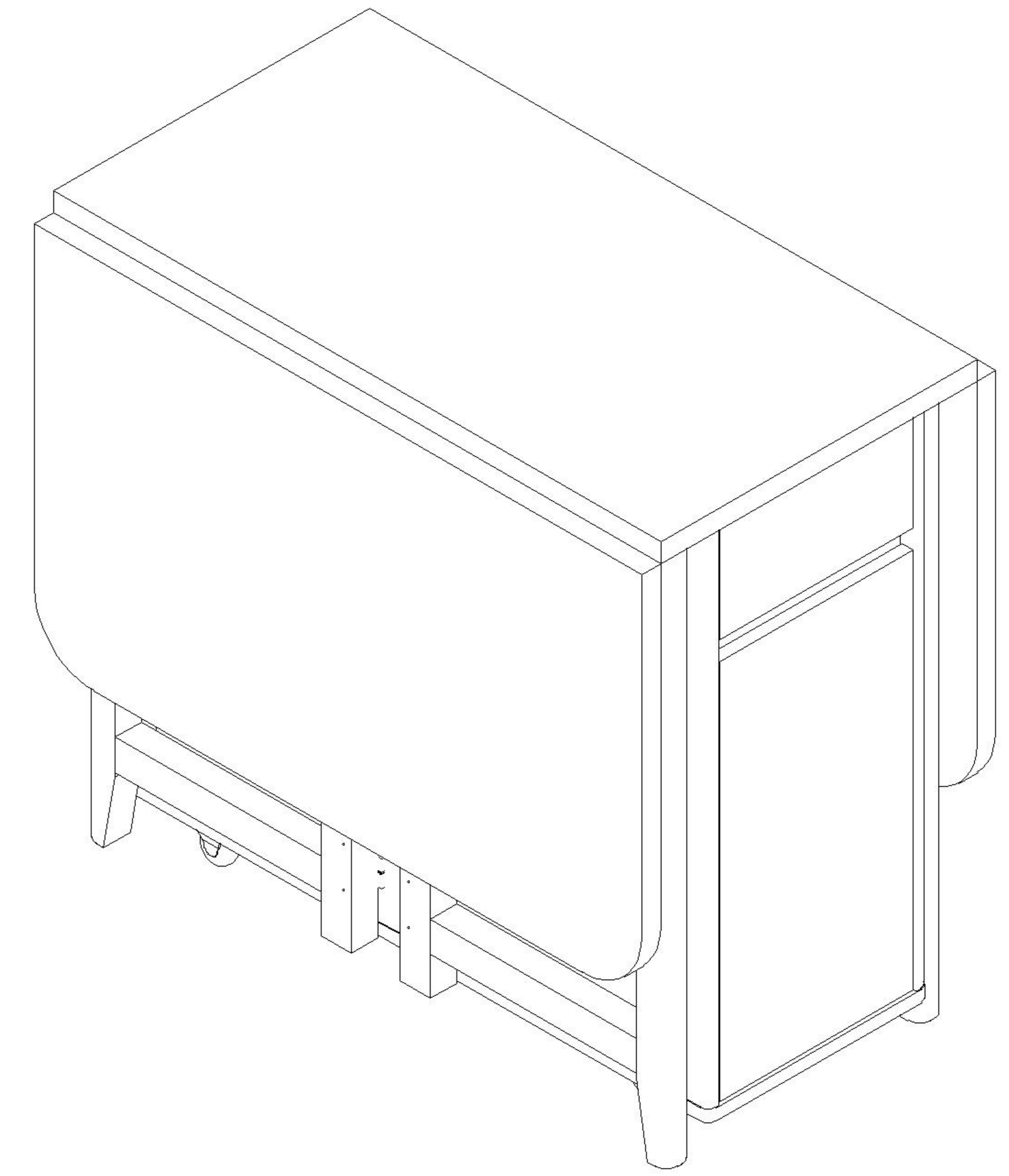
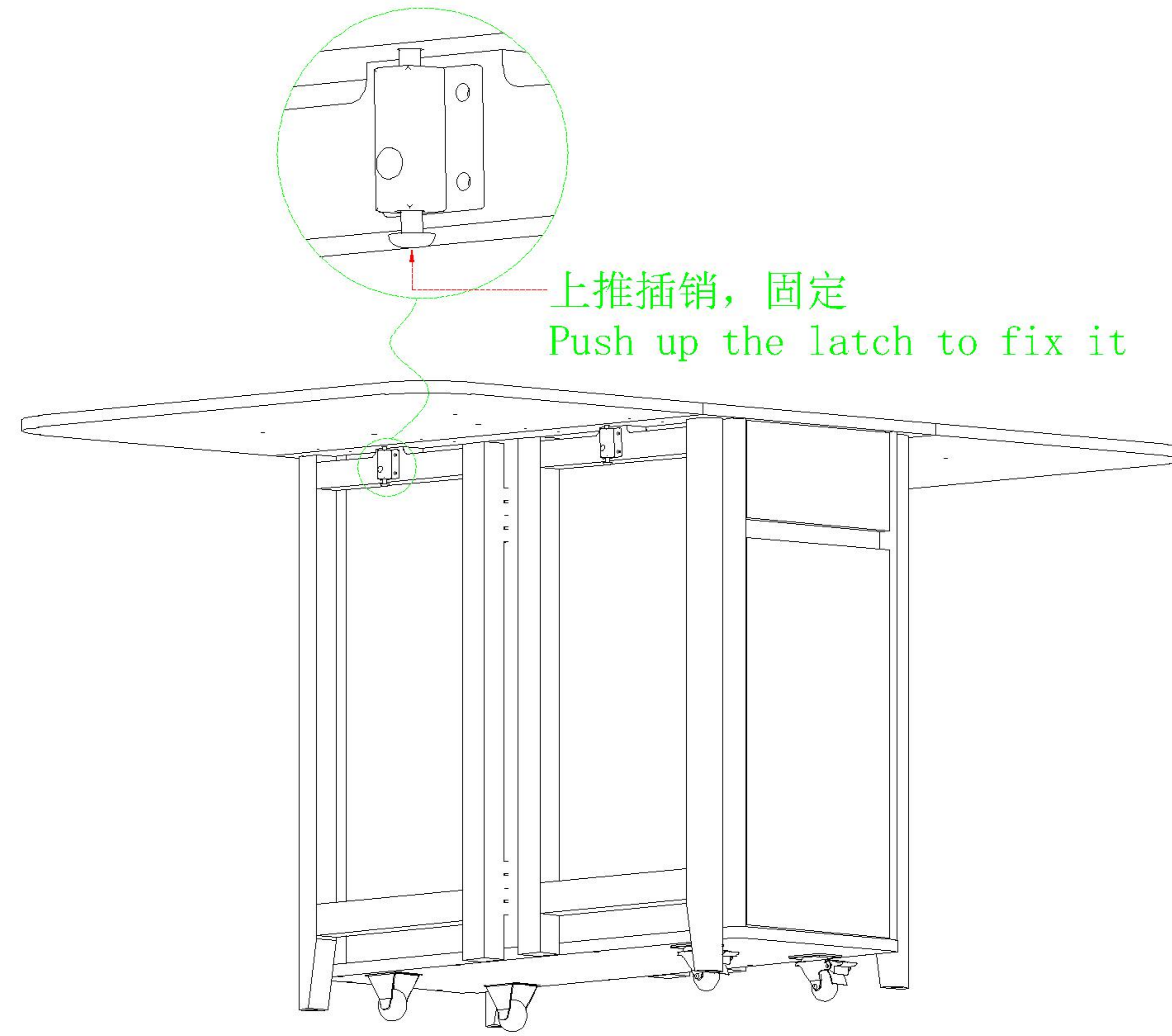


OU2R-A(木面)

13

14

安装方法/  
Installation method



15

16