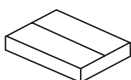
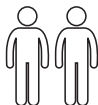




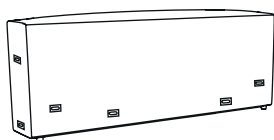
20 min



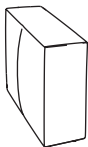
x5



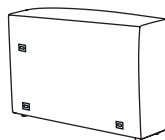
x2



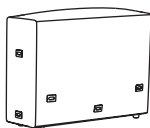
A x1



B x1



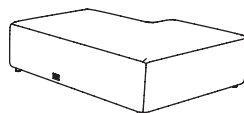
C x1



D x1



E x1



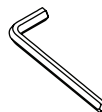
F x1



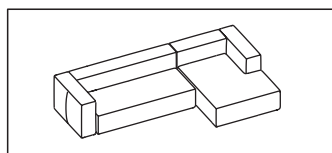
G x16
M8x90 mm



H x16

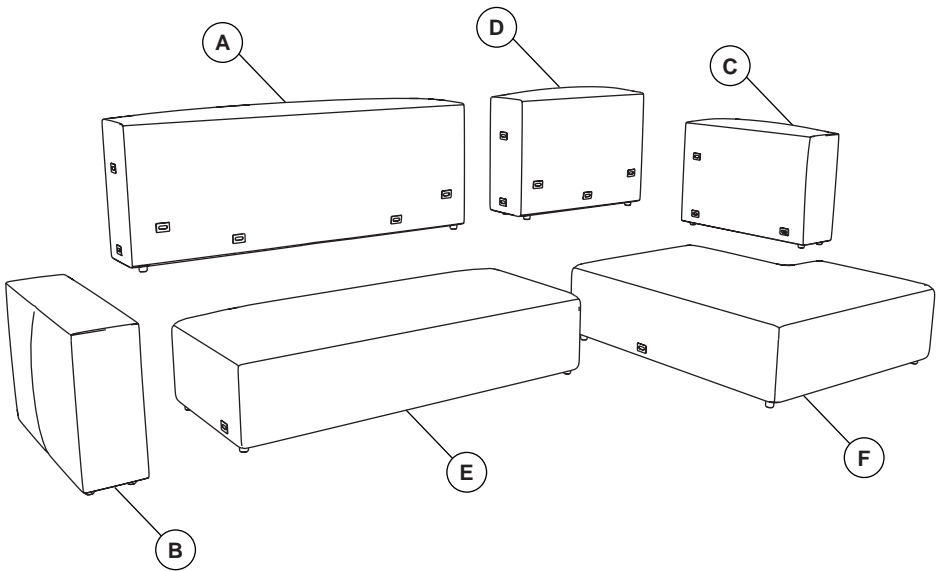


I x1
5 mm

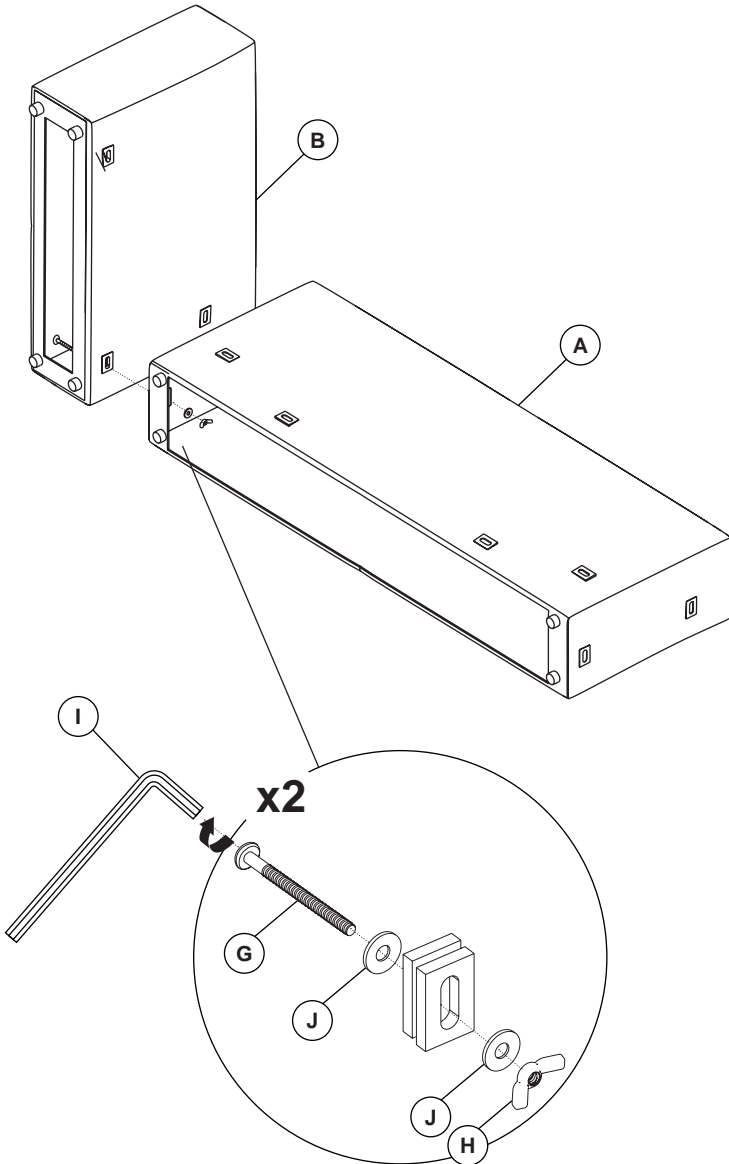


J x32

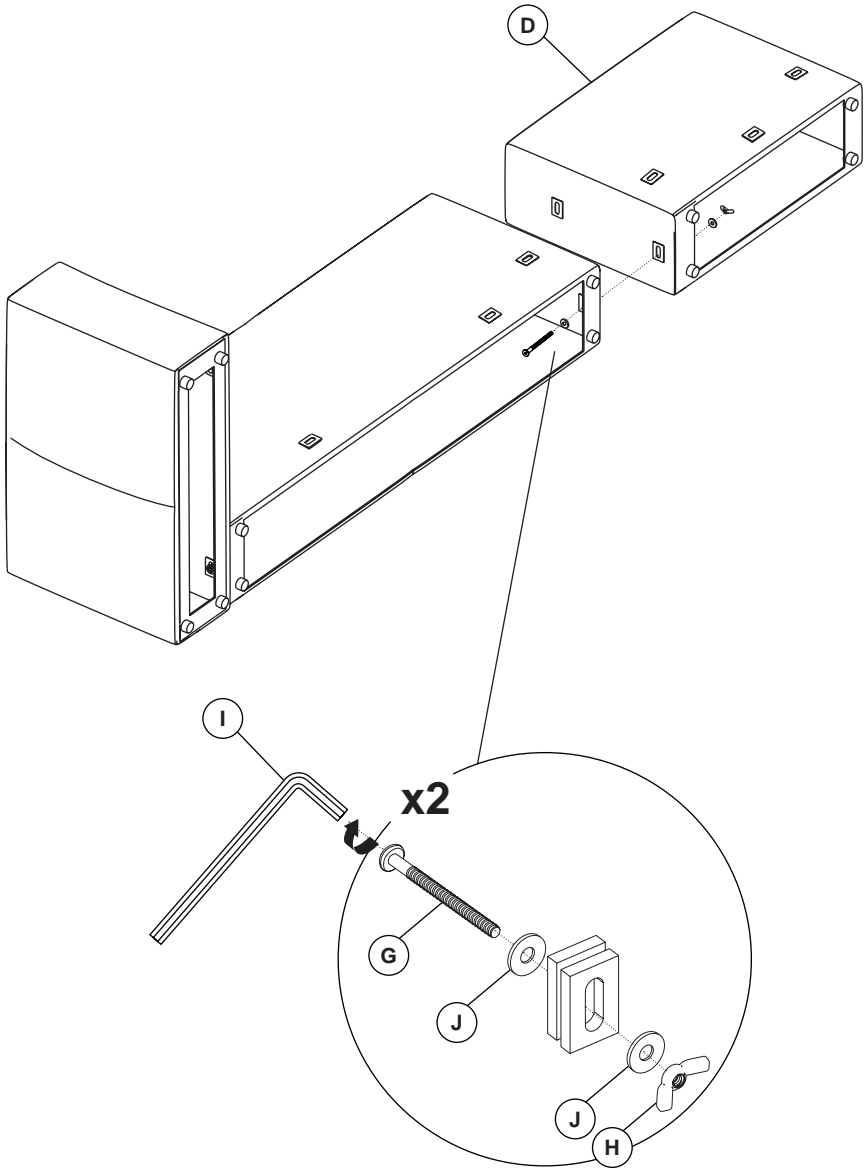




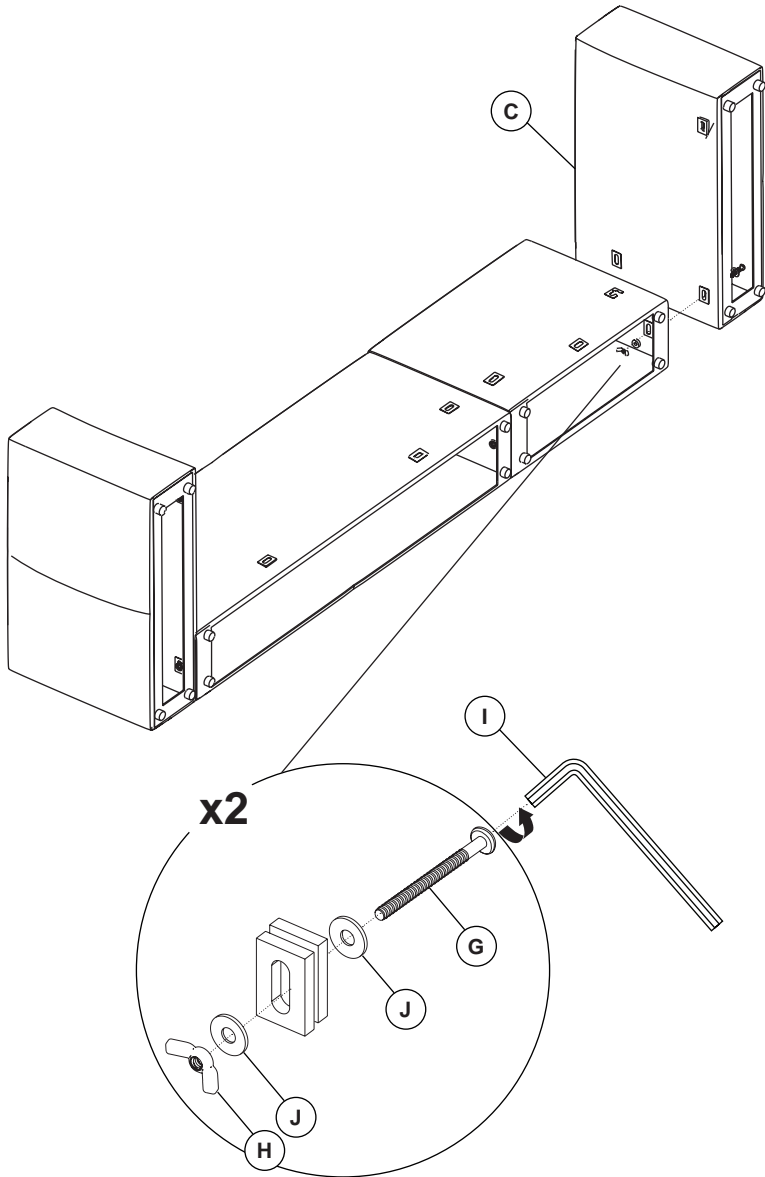
1



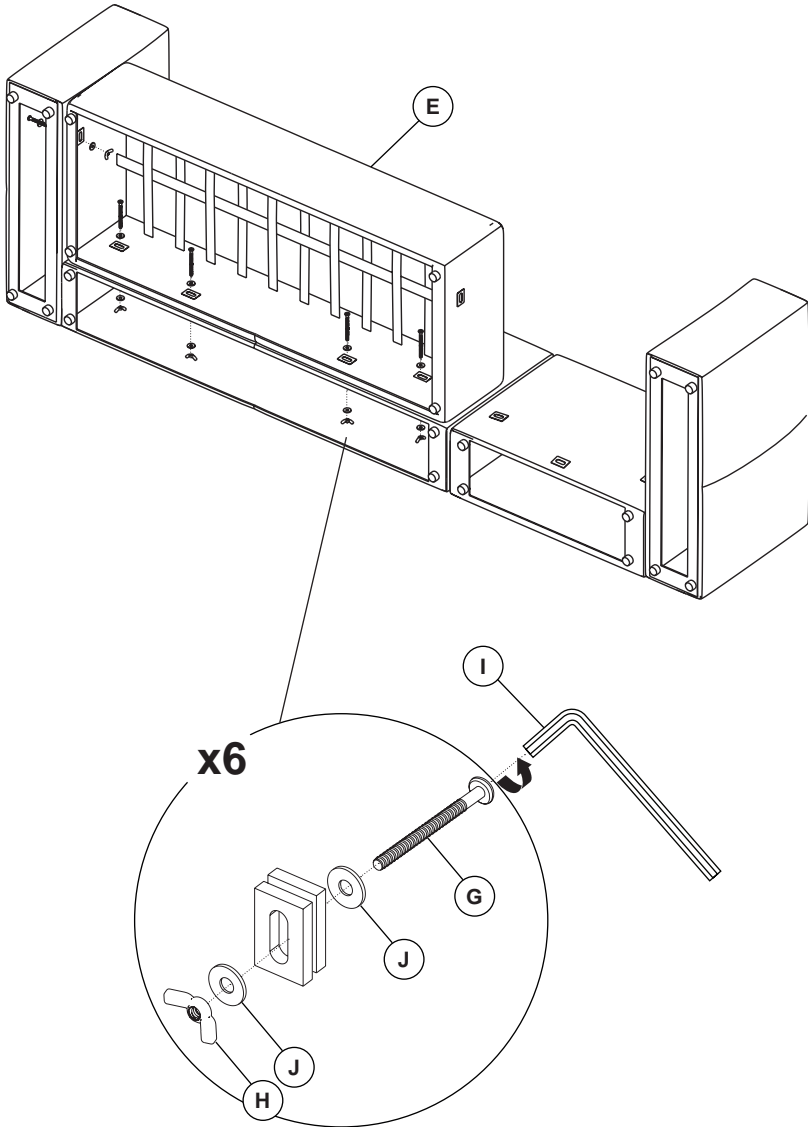
2



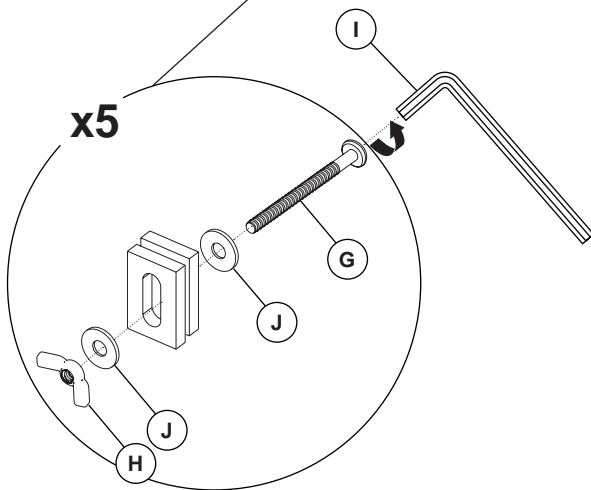
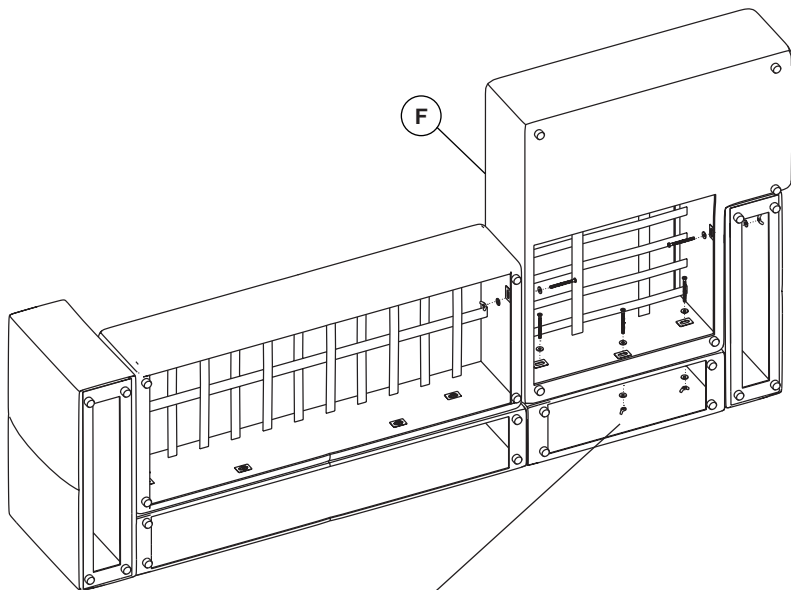
3



4



5



6

