



Kave® Cares



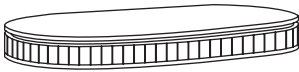
20 min



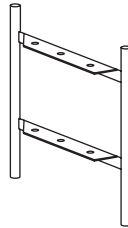
x1



x2



**A** x1



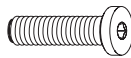
**B** x2



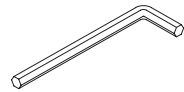
**C** x1



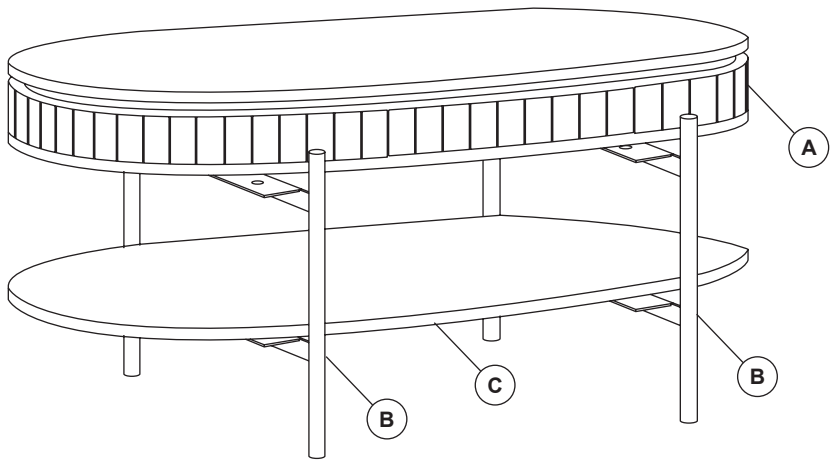
**D** x12  
8x22mm



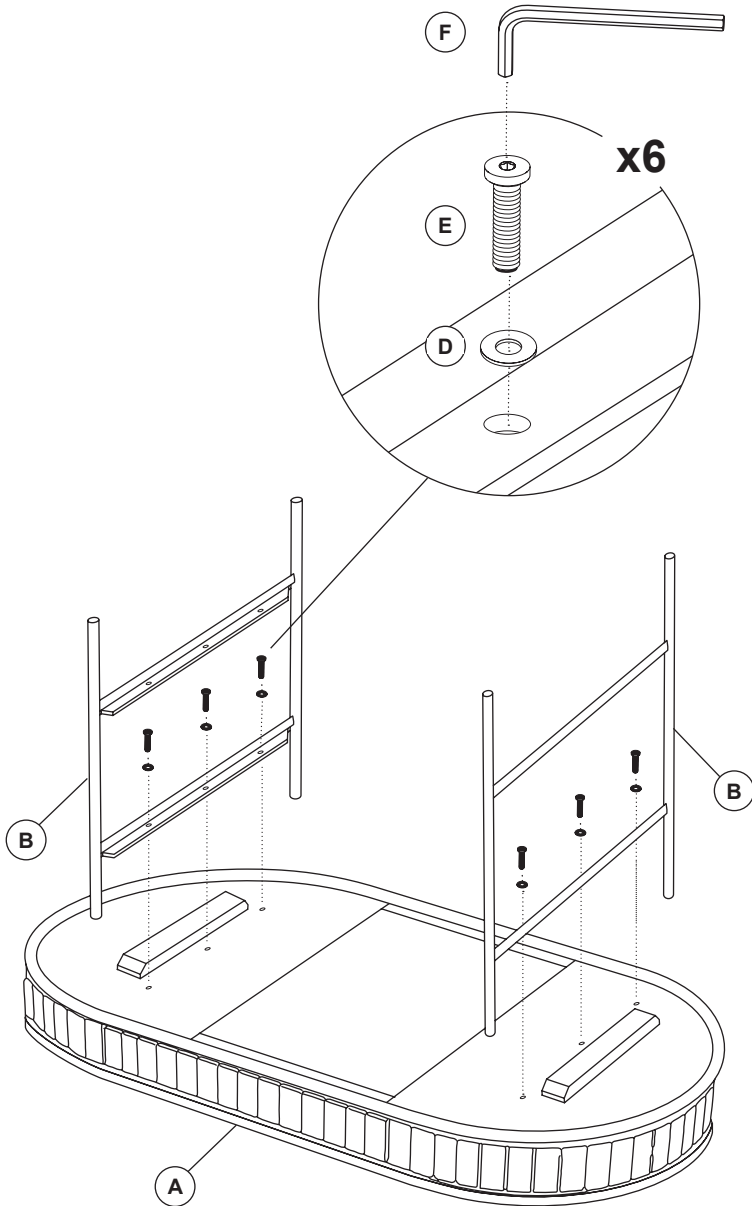
**E** x12  
6x16mm



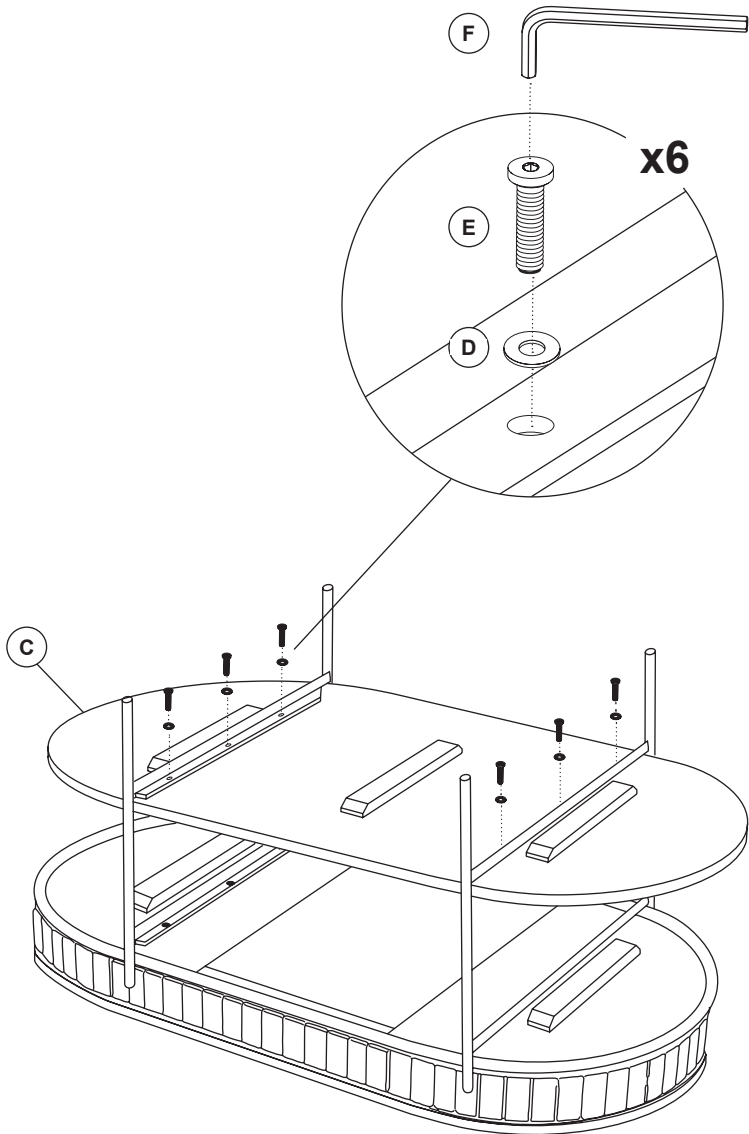
**F** x1

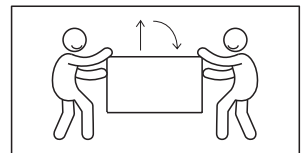
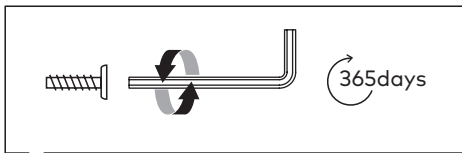
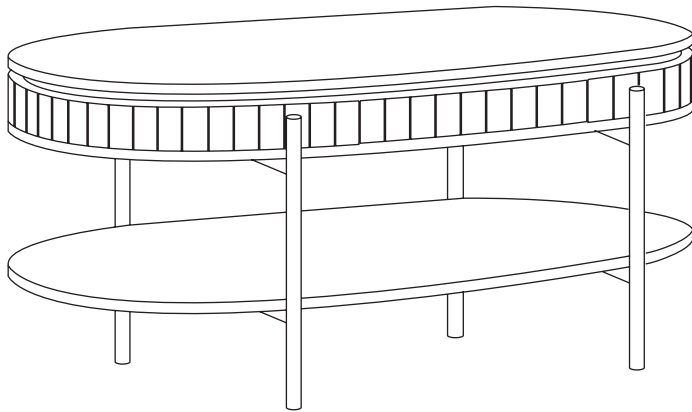


1



2







**THAT'S ALL FOLKS**

Share your style!

#KaveHome

