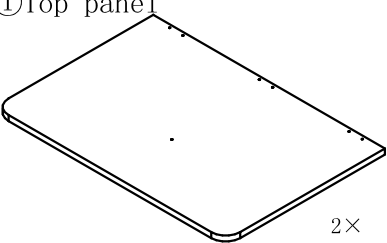
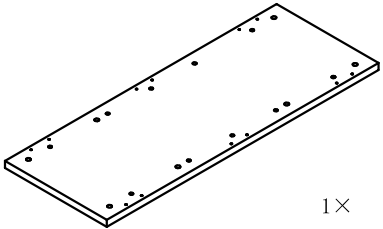
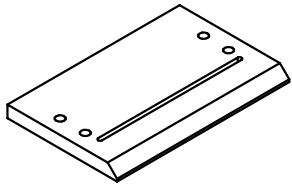
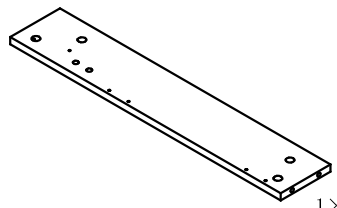
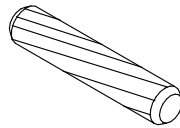
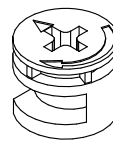
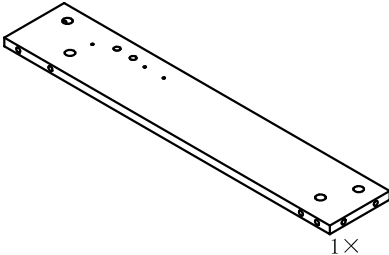
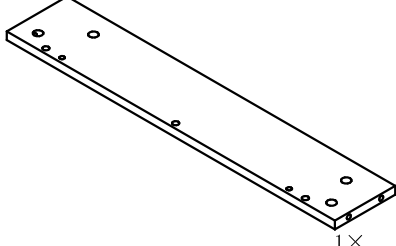
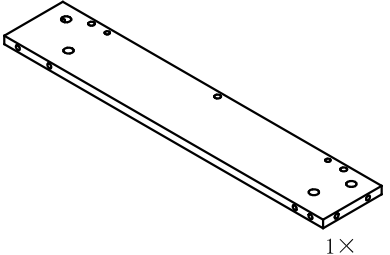
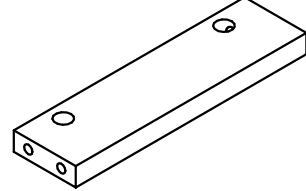
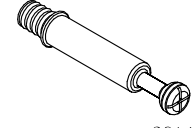

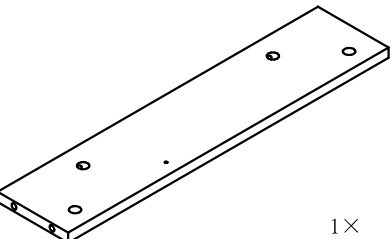
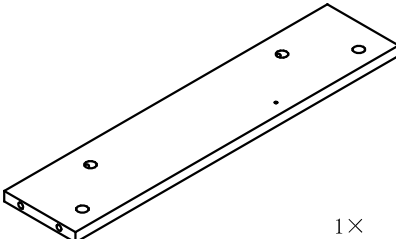
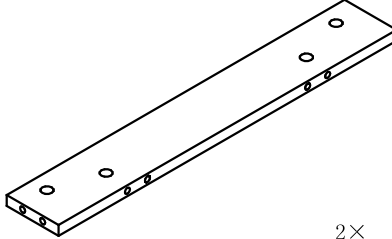
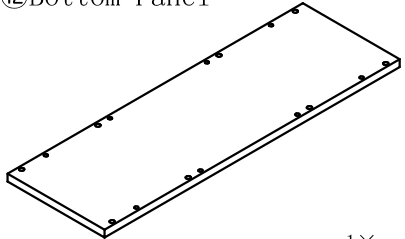
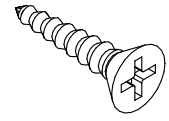
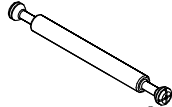
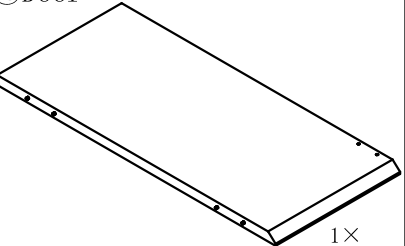
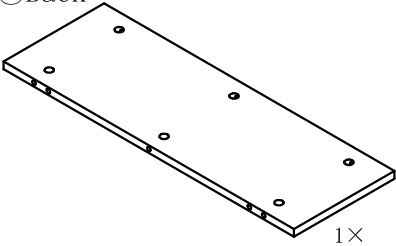
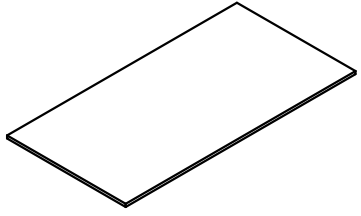
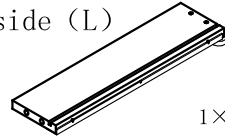
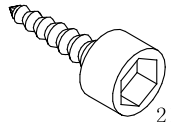
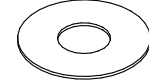
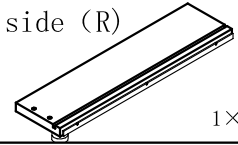
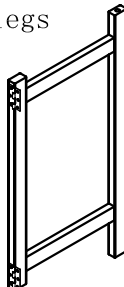
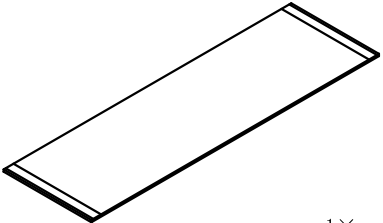
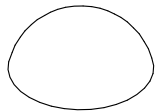
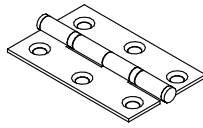
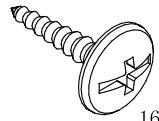
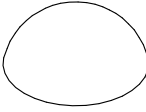
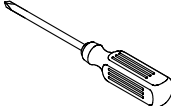
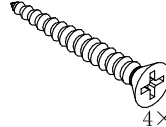
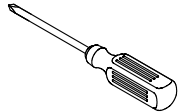
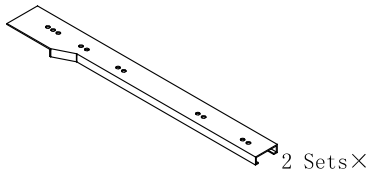
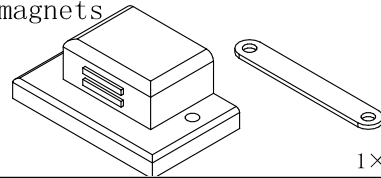


①Top panel  2×	②Top panel of middle  1×	③Drawer front  1×	④Fixed panel 1 (L)  1×	A. Dowel  33×	B. Cam lock  47×
⑤Fixed panel 1 (R)  1×	⑥Fixed panel 2(R)  1×	⑦Fixed panel 2(L)  1×	⑧Apron panel  1×	C. Cam pin  29×	D. Cam Cover  44×
⑨Upper junction panel (L)  1×	⑩Upper junction panel (R)  1×	⑪Under junction panel  2×	⑫Bottom Panel  1×	E. Wood Screw (3*15)  72×	F. Double-thread screw  8×
⑬Door  1×	⑭Back  1×	⑮Drawer bottom  1×	⑯Drawer side (L)  1×	G. Socket Head Cap Screw  2×	H. Gasket  2×
⑰Drawer side (R)  1×	⑱Table legs  2×	⑳Carpet  1×	M. Non slip mat  8×	I. Hinge  8×	J. Large flat head self-tapping screw  16×
㉑Drawer back  1×			N. Screw driver  1×	K. Tapping screw (4*35)  4×	L. Castor  4×
				Model : GF686-1408	
				Dimension : 1400W*800D*743H	
				customer service :	

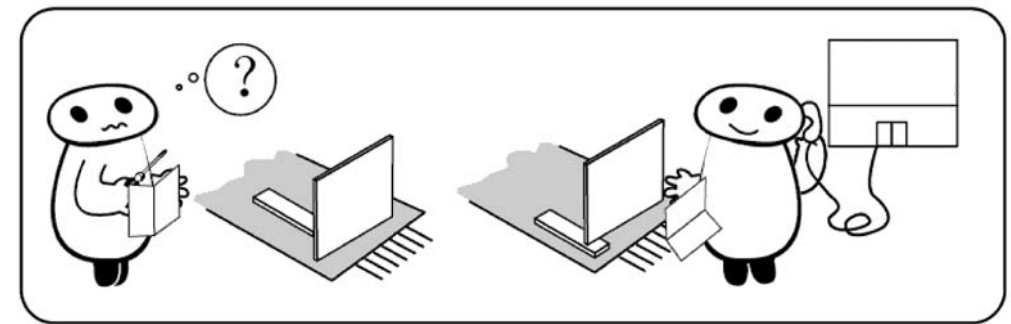
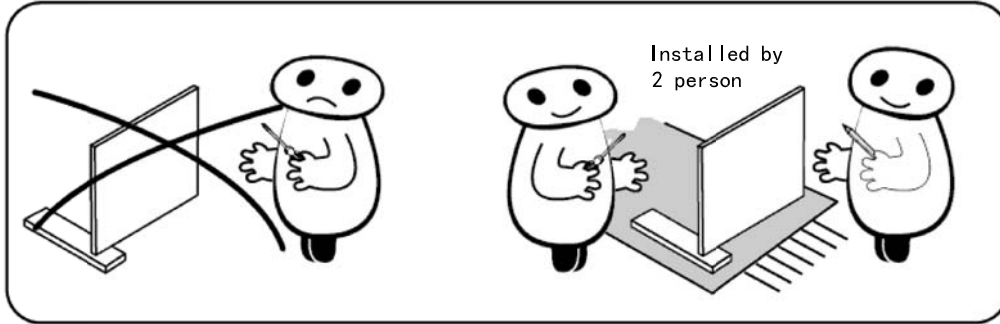
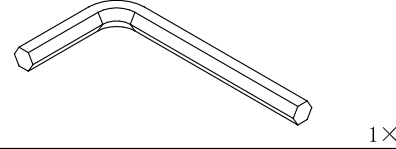
P. Drawer slides



Q. Small magnets

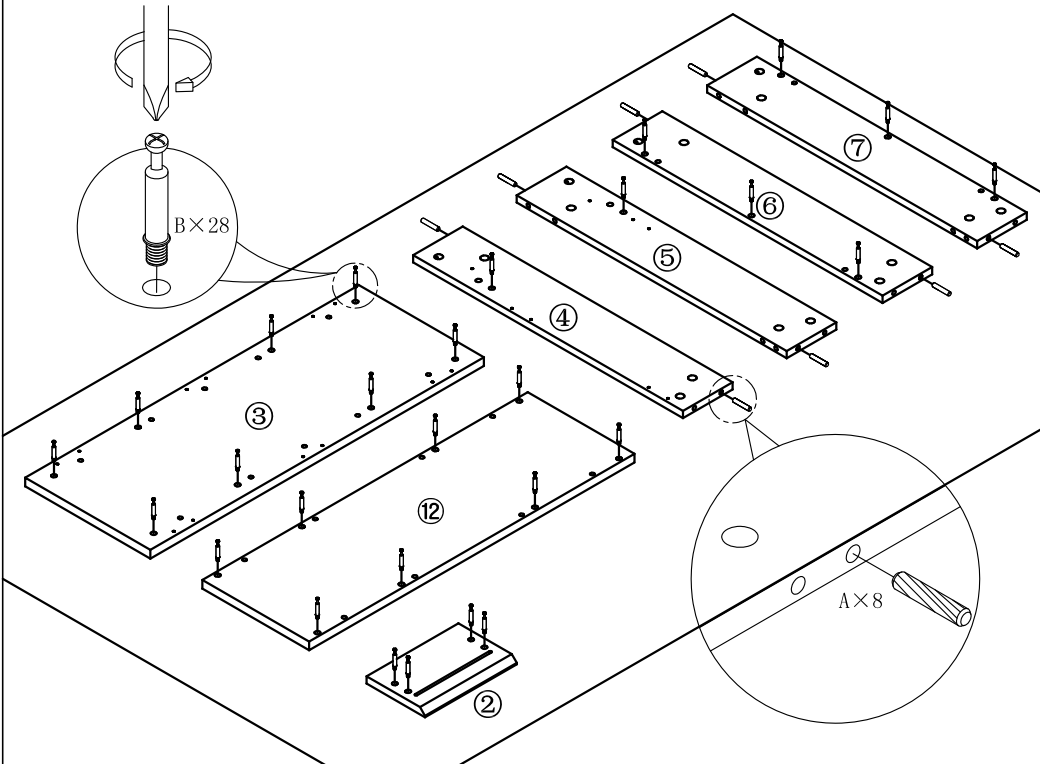


R. Socket head wrench M4

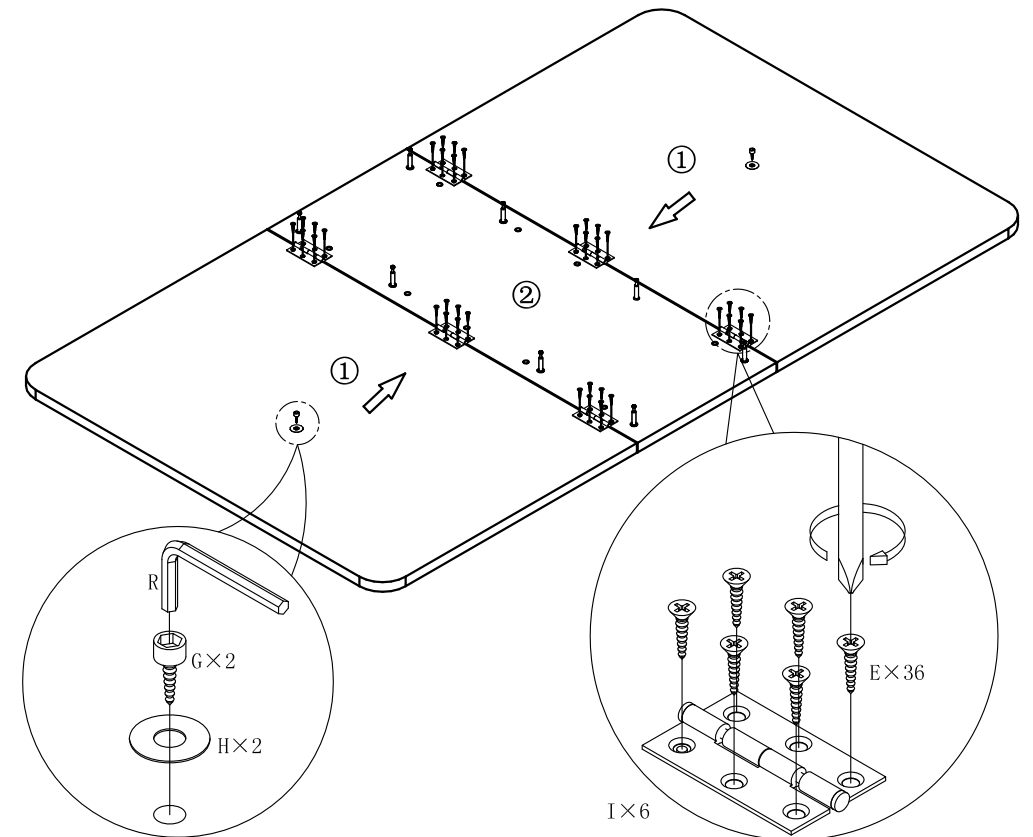


Step 1

Note: Before assembly, please put a blanket or use this packing carton put on ground, avoid acraching or get dirty of spare parts.

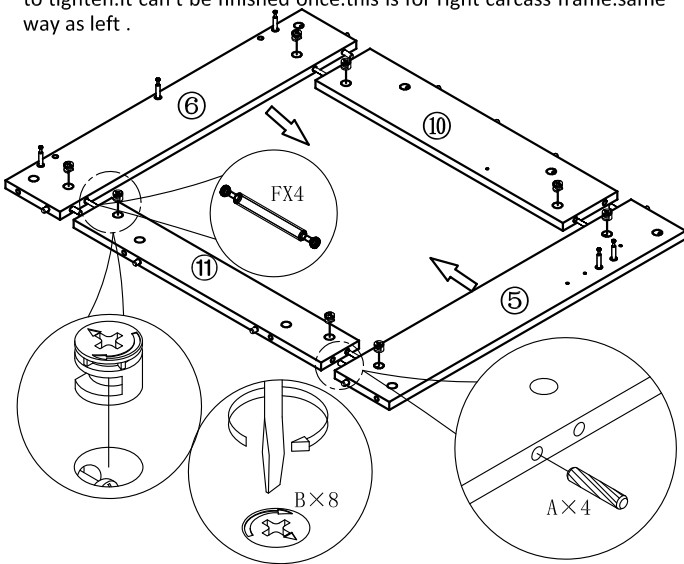


Step 2



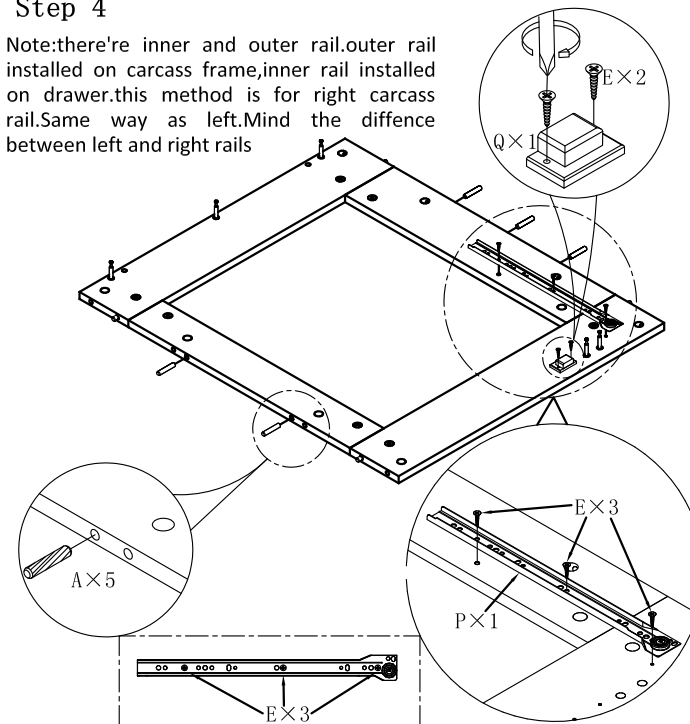
Step 3

1. Use part F(4pcs)and part A(4pcs),insert 2pcs part F to correct hole of panel 10 and panel 11,then installed as graphic shows.the distance between 2 sides of part F shall be same.
2. Note:part B(cam lock)most can screw 30 degree at the beginning,same as the other side. Then back and forth several times to tighten.It can't be finished once.this is for right carcass frame.same way as left .

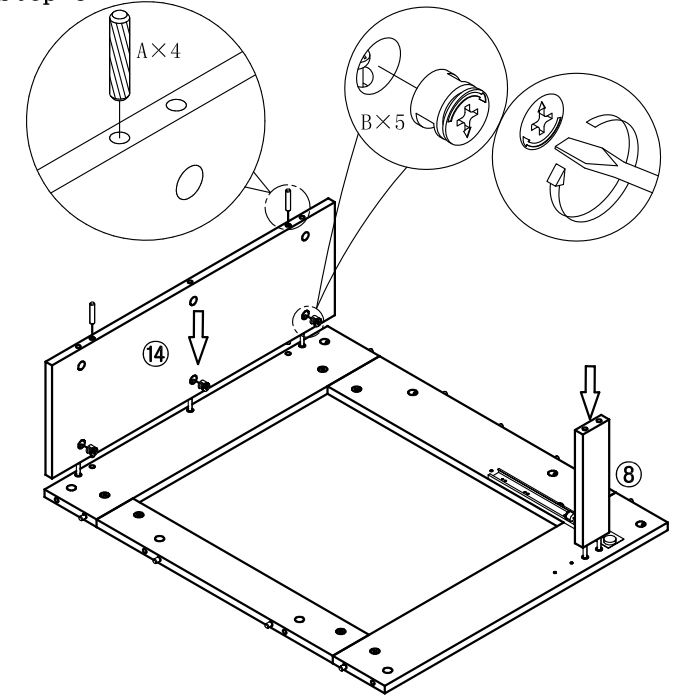


Step 4

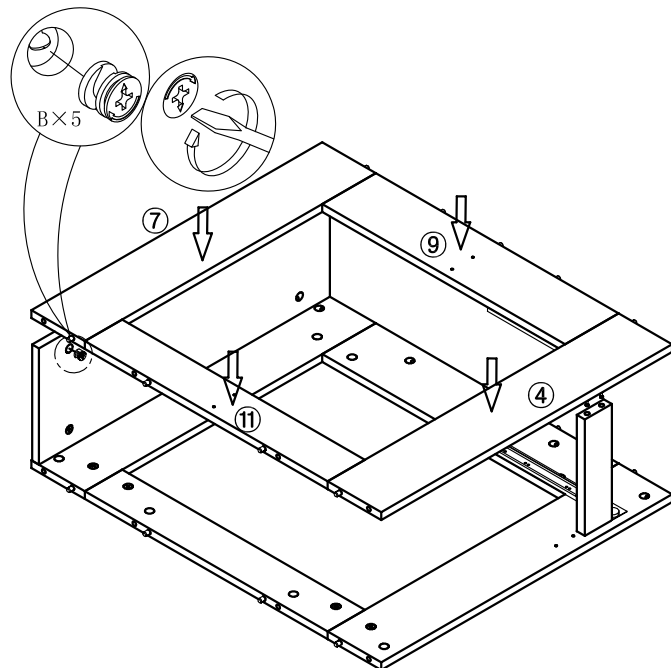
Note:there're inner and outer rail.outer rail installed on carcass frame,inner rail installed on drawer.this method is for right carcass rail.Same way as left.Mind the difference between left and right rails



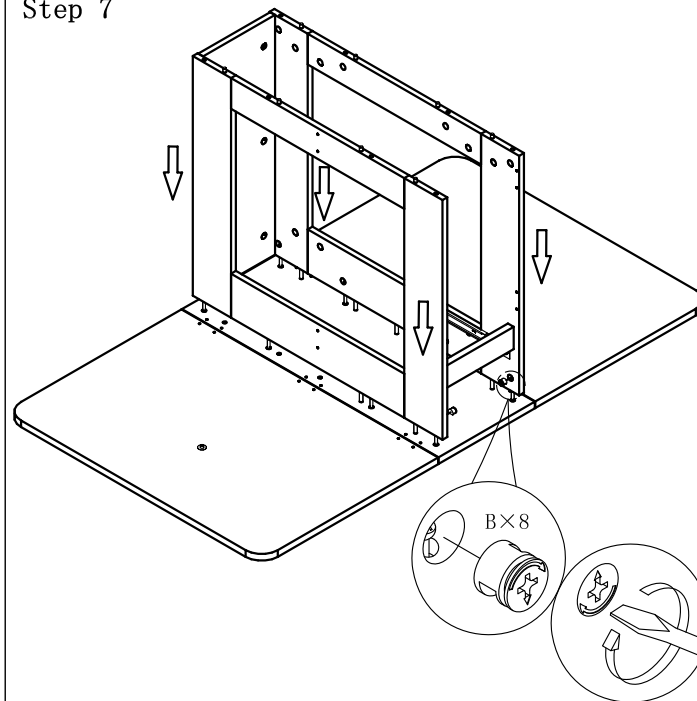
Step 5



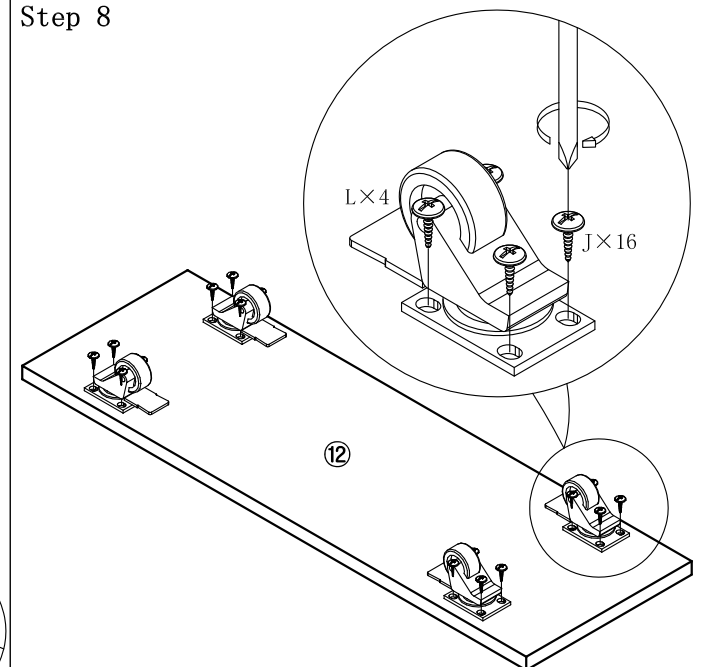
Step 6



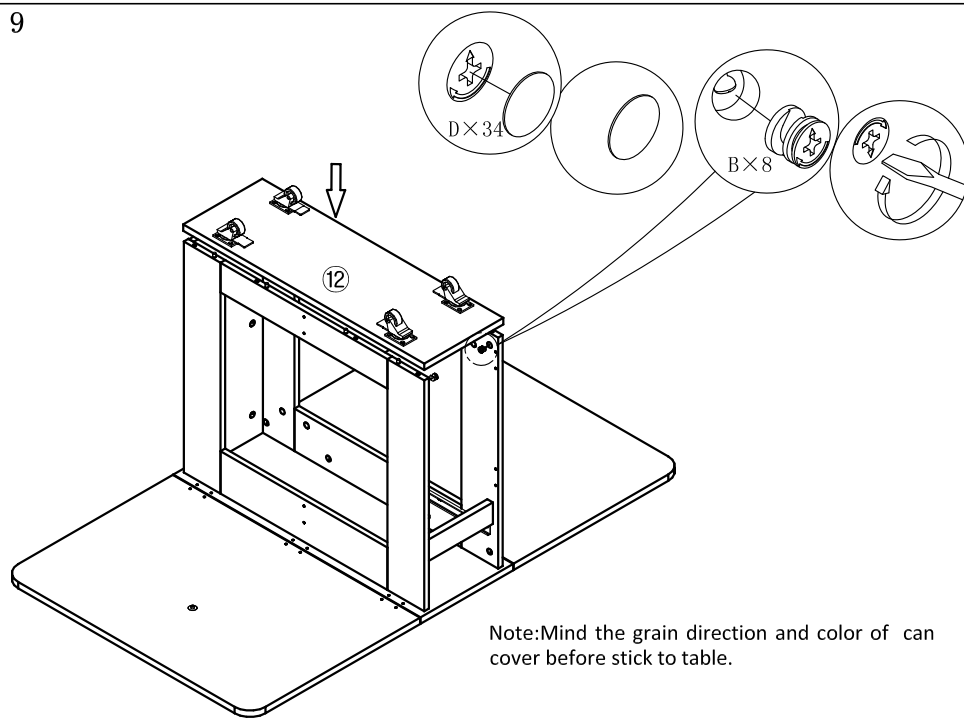
Step 7



Step 8

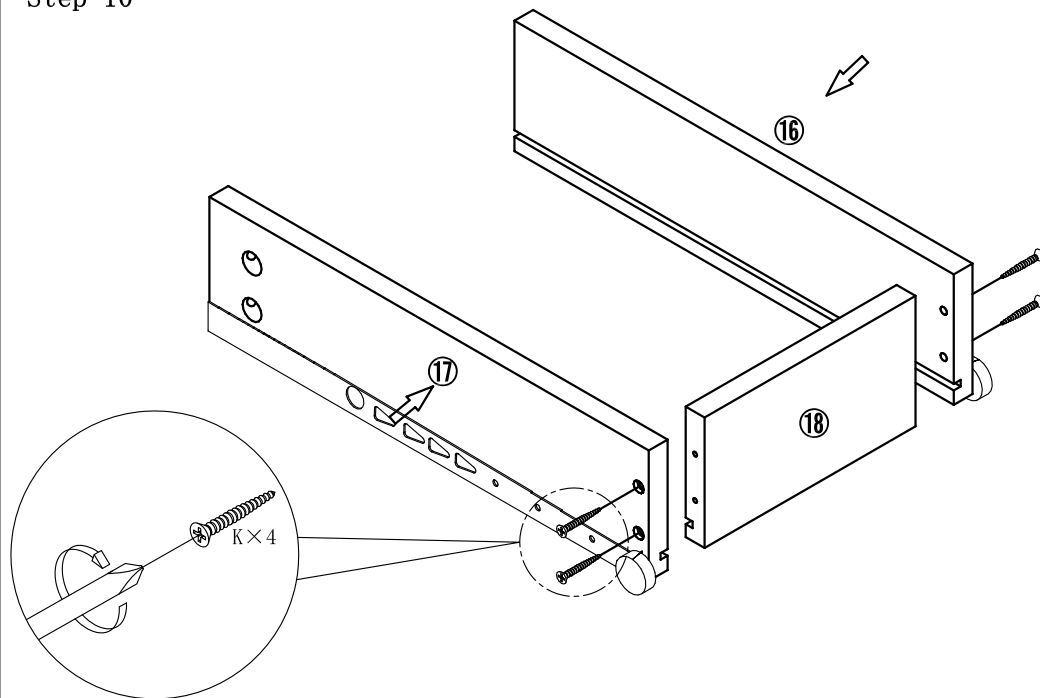


Step 9

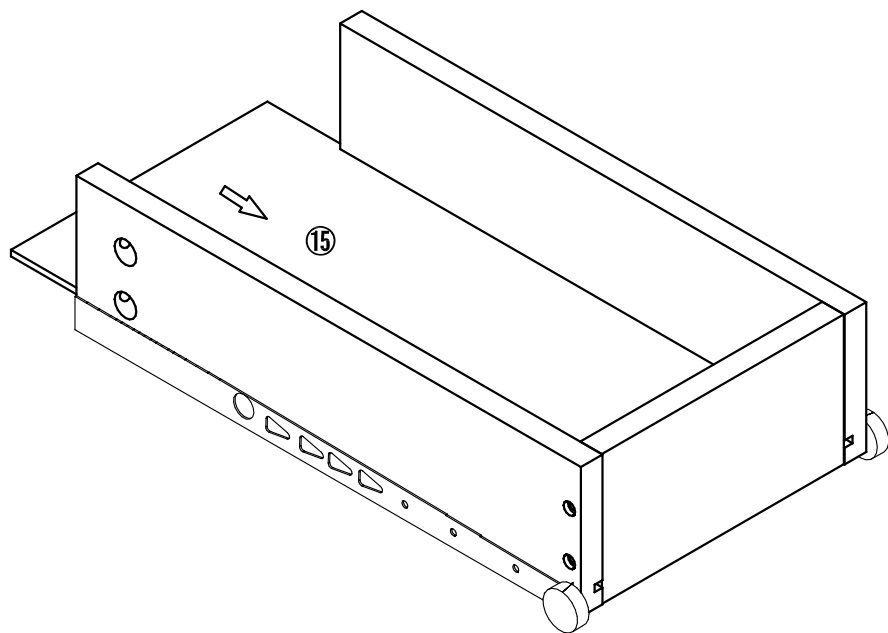


Note: Mind the grain direction and color of can cover before stick to table.

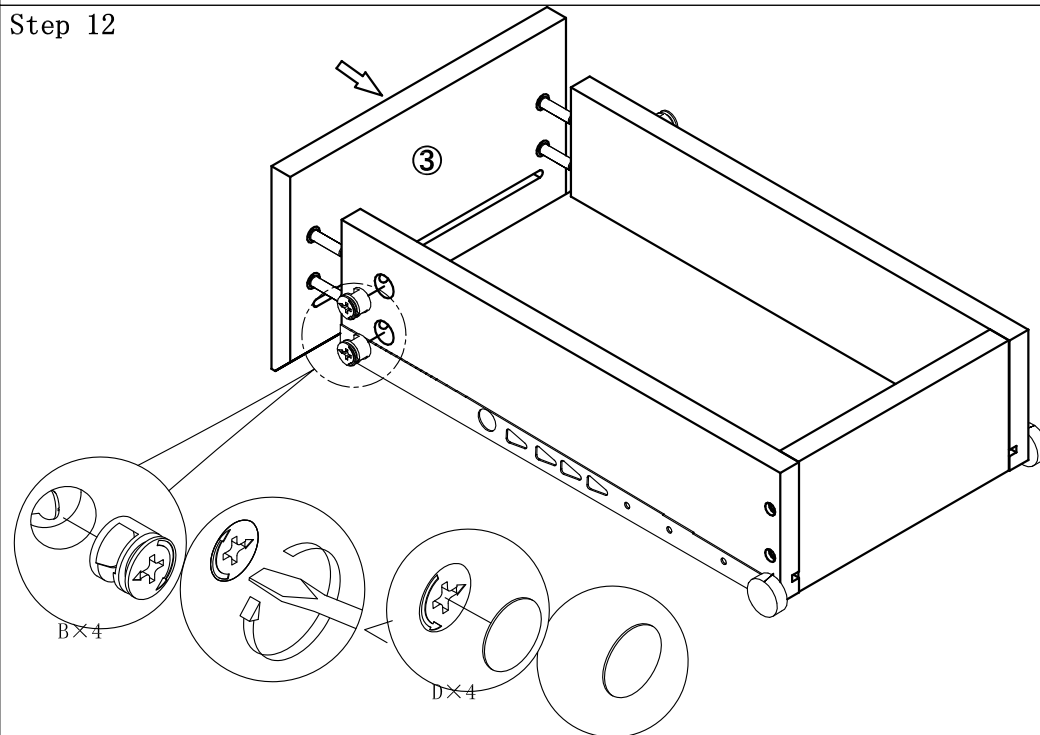
Step 10



Step 11

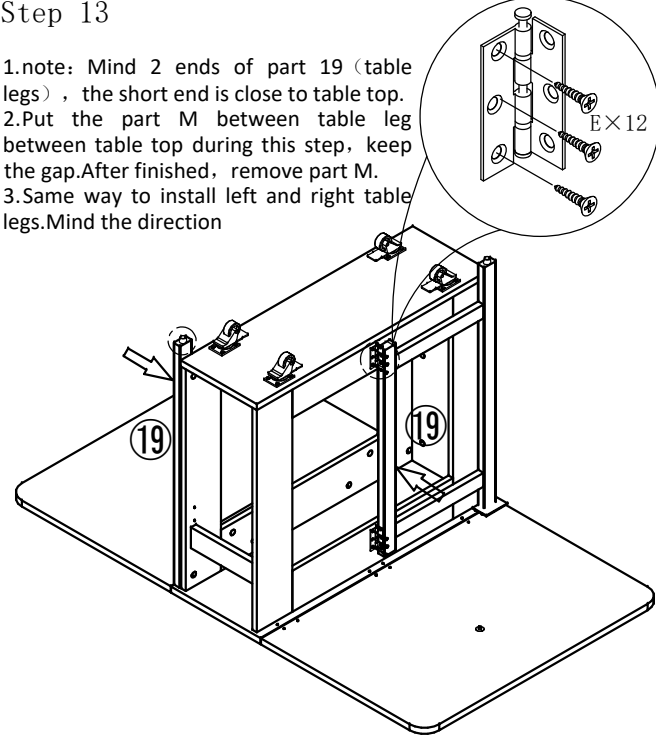


Step 12

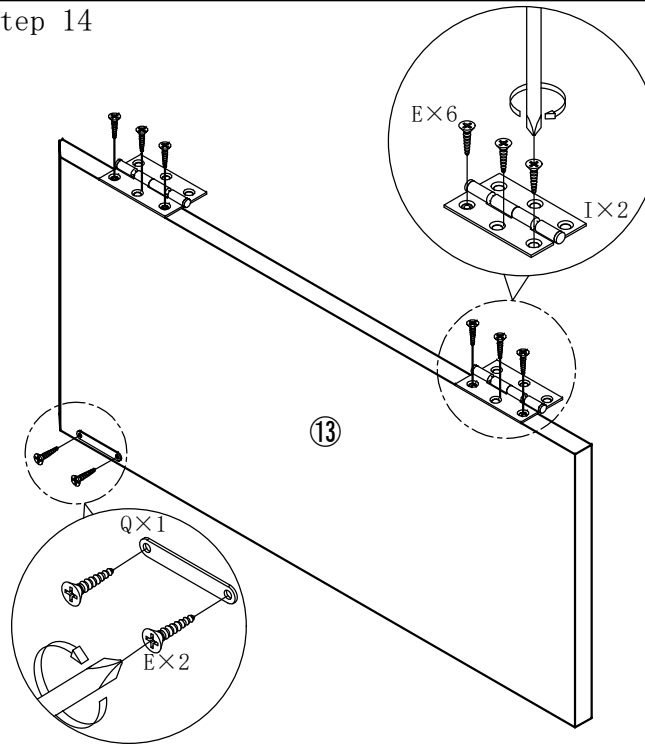


Step 13

- 1.note: Mind 2 ends of part 19 (table legs), the short end is close to table top.
- 2.Put the part M between table leg between table top during this step, keep the gap.After finished, remove part M.
- 3.Same way to install left and right table legs.Mind the direction

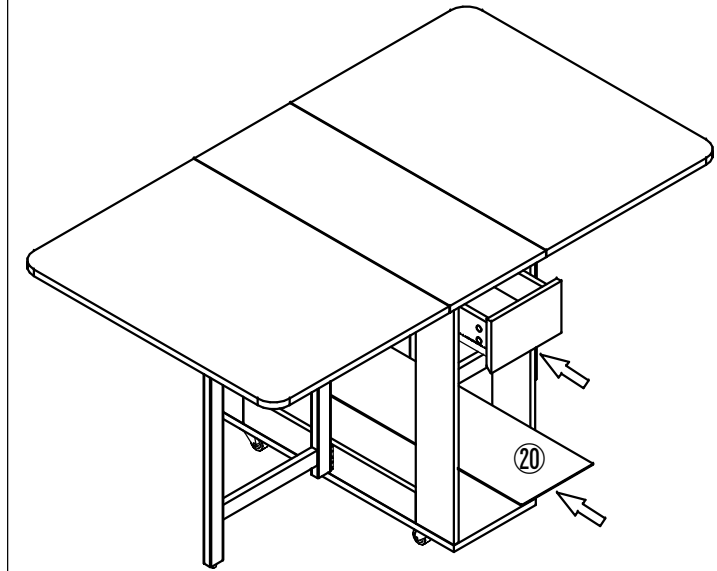


Step 14

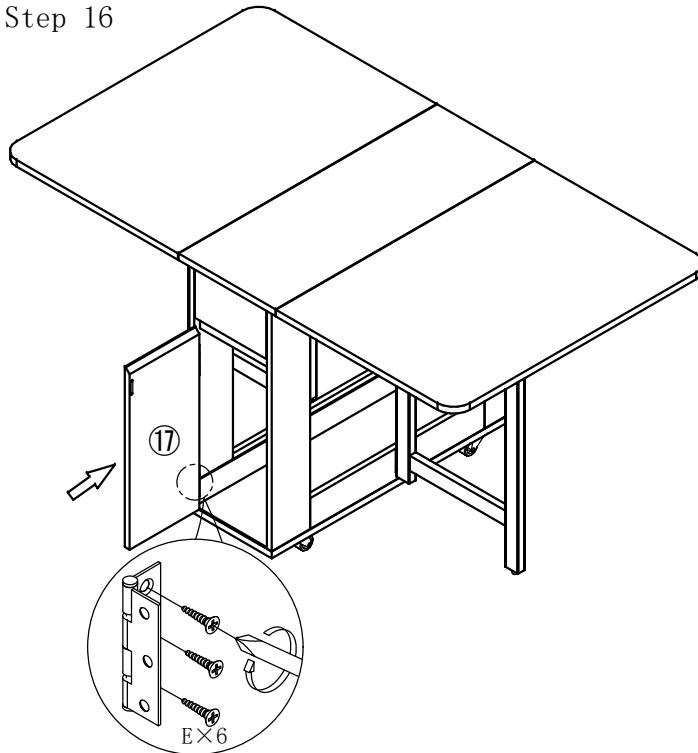


Step 15

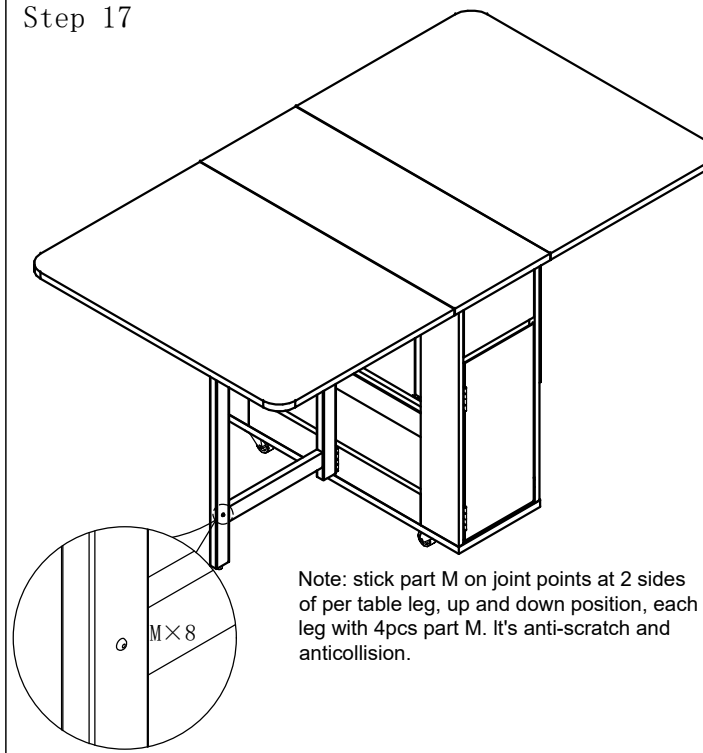
Note:put the part 20(carpet) to the bottom of shelf as photo shows.



Step 16



Step 17



Step 18

