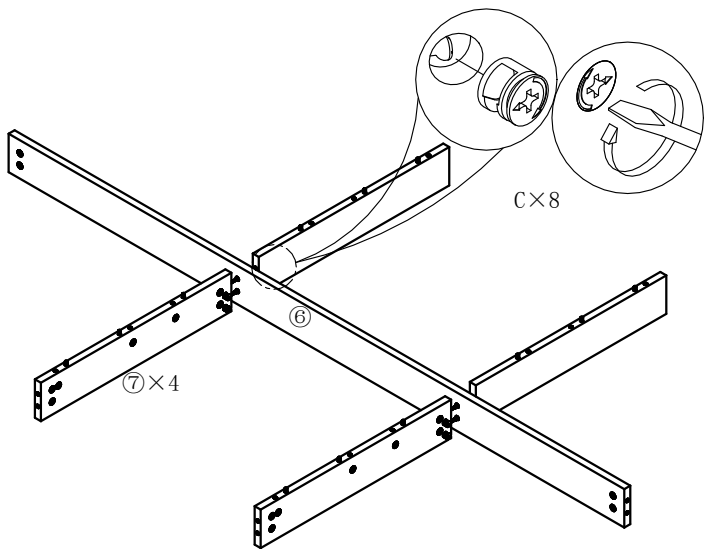
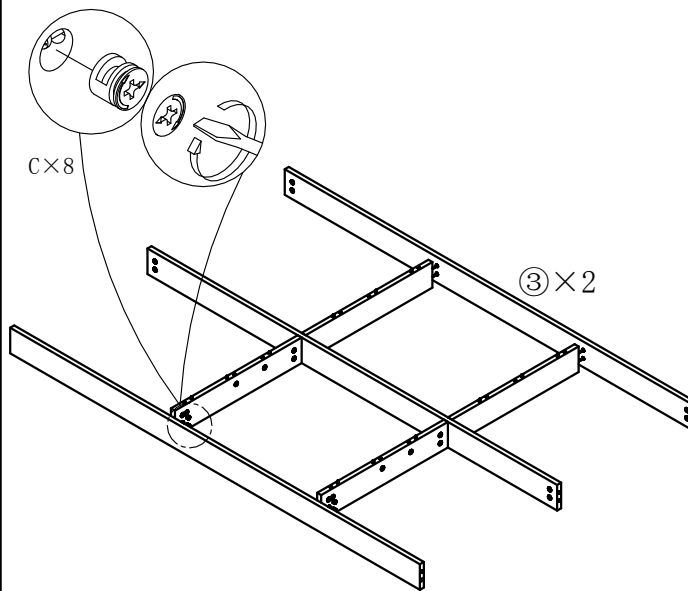


Model	GF089-15
Name	Bed
Size	1500W*2000D*153H

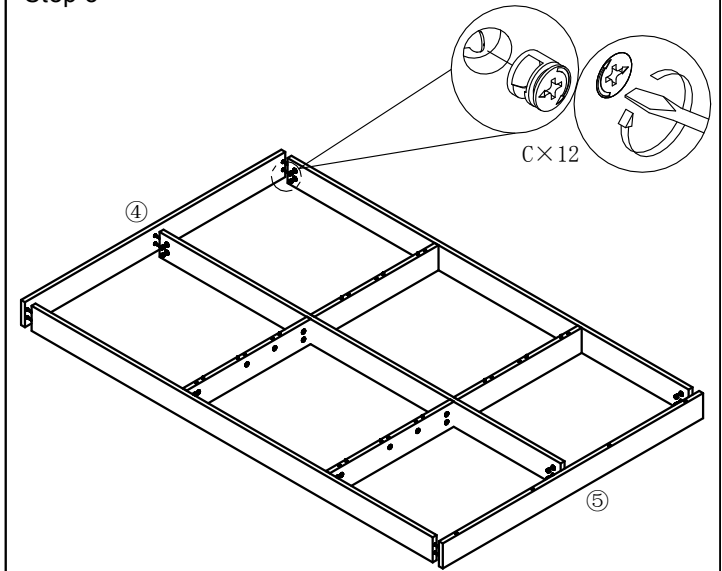
Step 3



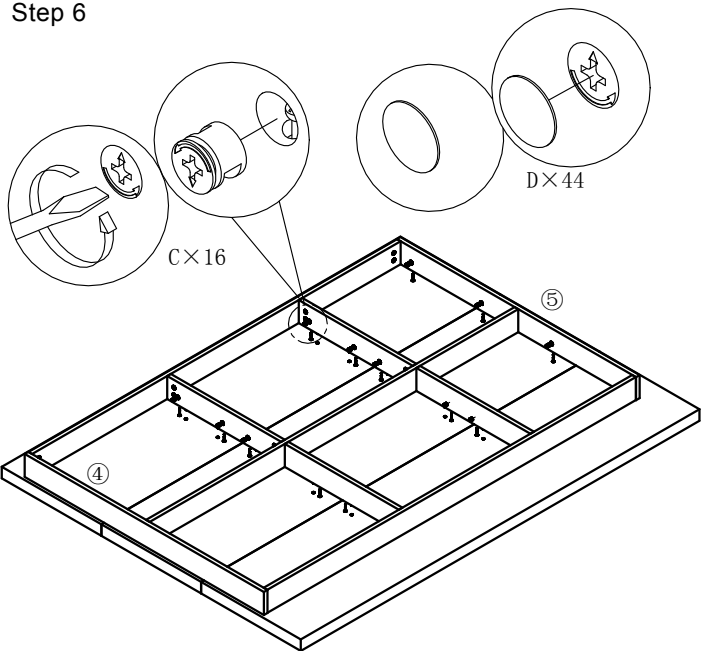
Step 4



Step 5

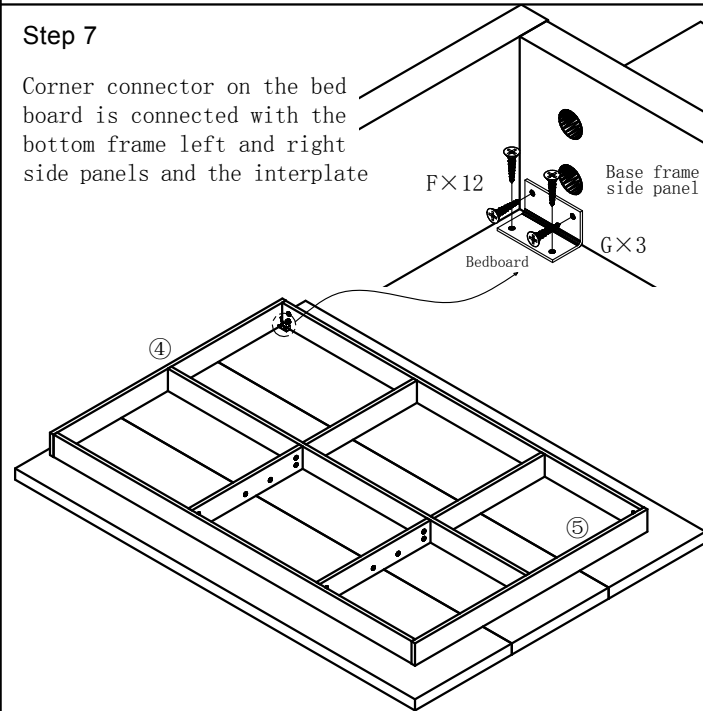


Step 6



Step 7

Corner connector on the bed board is connected with the bottom frame left and right side panels and the interplate



Step 8

