

安装示意图/Assembly Instruction

产品名称 Model NO.

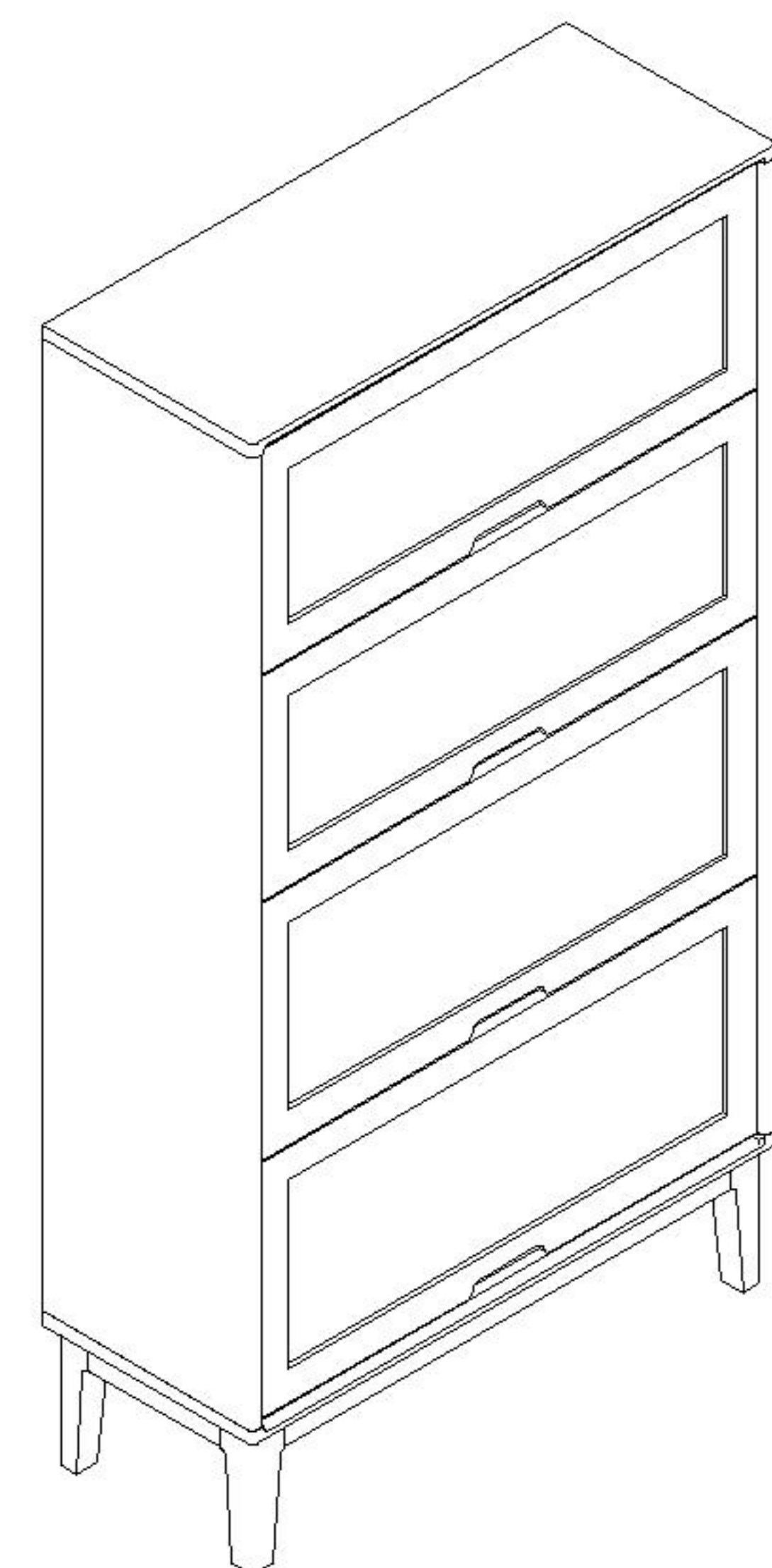
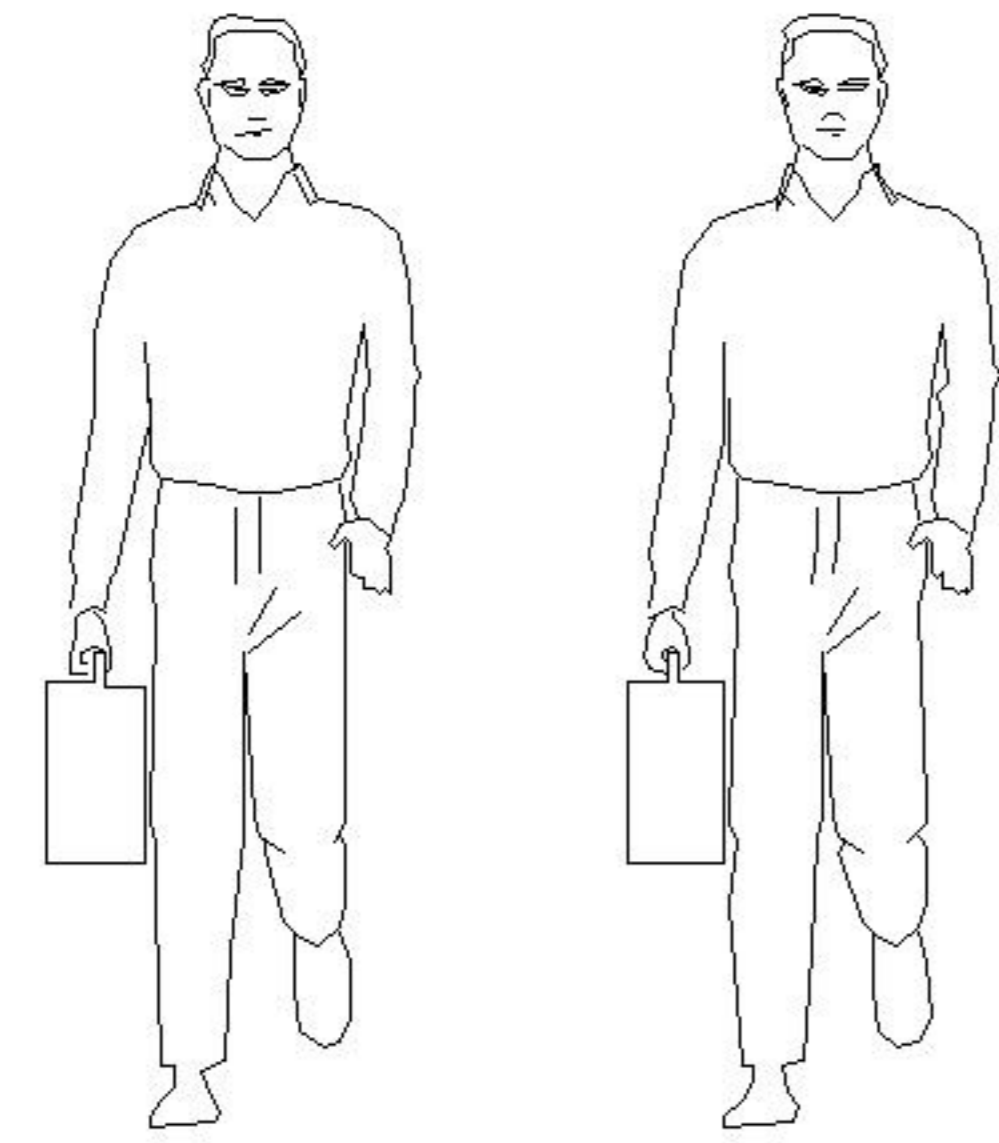
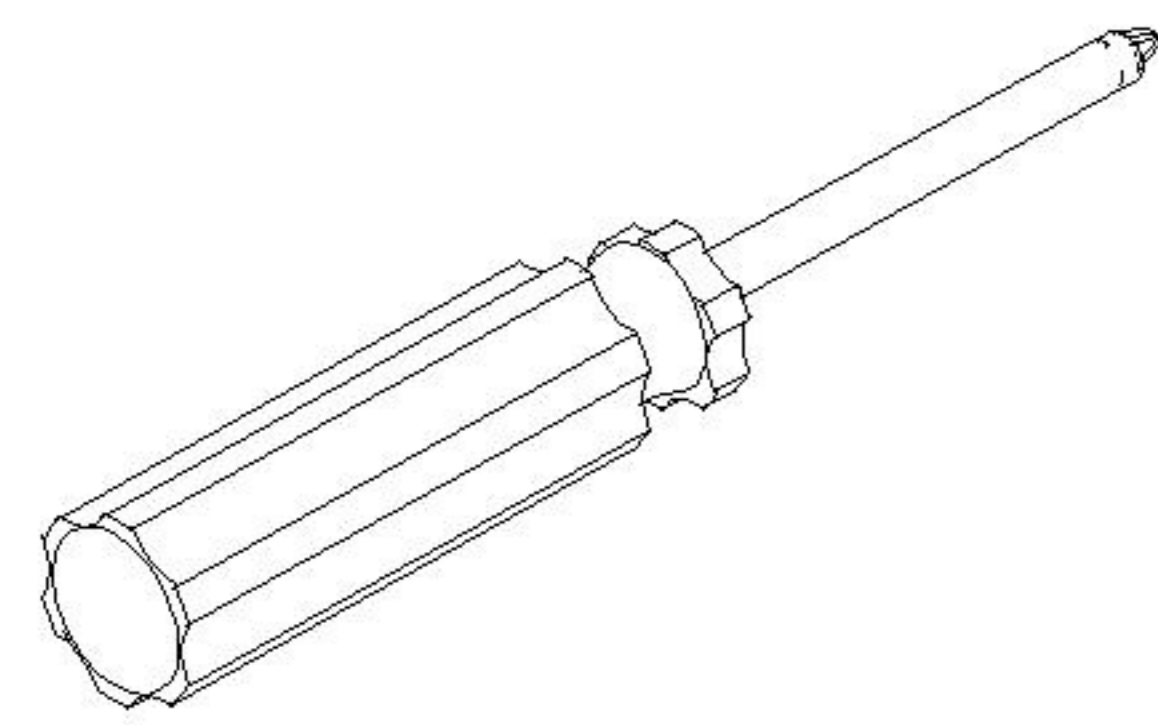
AS2X-A(0.6m)

产品规格 Specification

596*320*1539mm

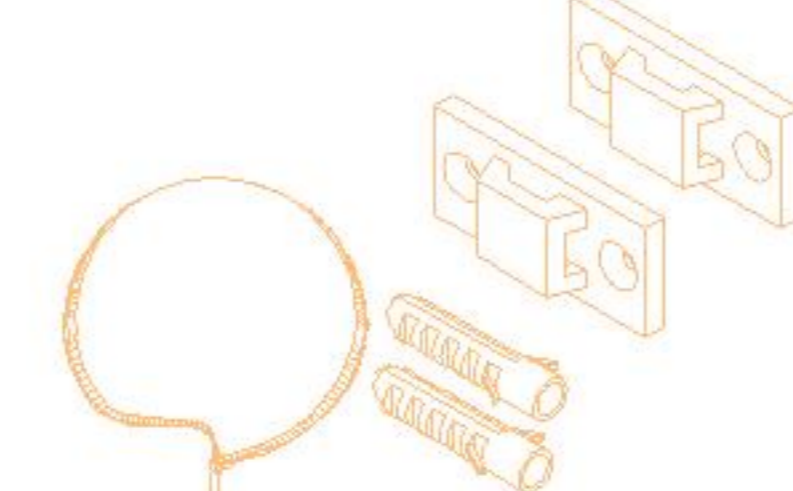
安装工具 Tool

安装人数 Installer



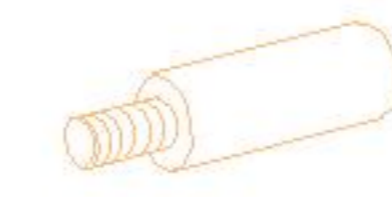
(A)*4

9厘透明防滑PVC脚垫
Rubber stopper



(B)*2

家具防倒器-白色
Anti-fall device



(C)*8

层板托杆
Laminate bracket



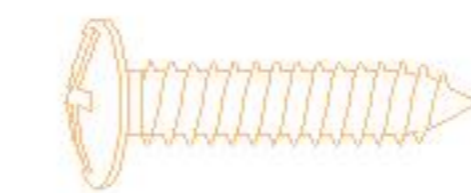
(D)*8

透明圆形防滑垫
Non-slip plastic pad



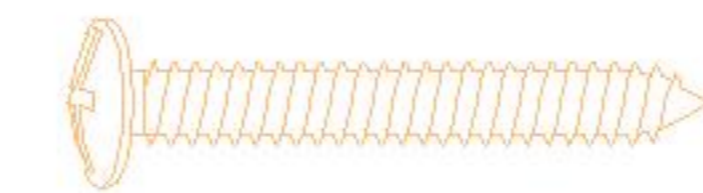
(E)*2

木榫 \varnothing 8*30
Wood tenon



(F)*34

自攻大扁M4*16mm
Flat head tapping screw



(G)*21

自攻大扁M4*30mm
Flat head tapping screw



(H)*4

垫片M6-彩锌
shim-(M6)



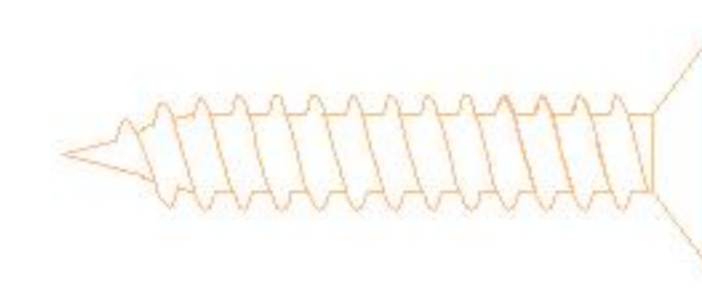
(I)*1

扳手-(4mm)内六角扳手
Hexagon wrench



(J)*4

斜边内六角螺杆M6*45
Bevel inner hexagon screw



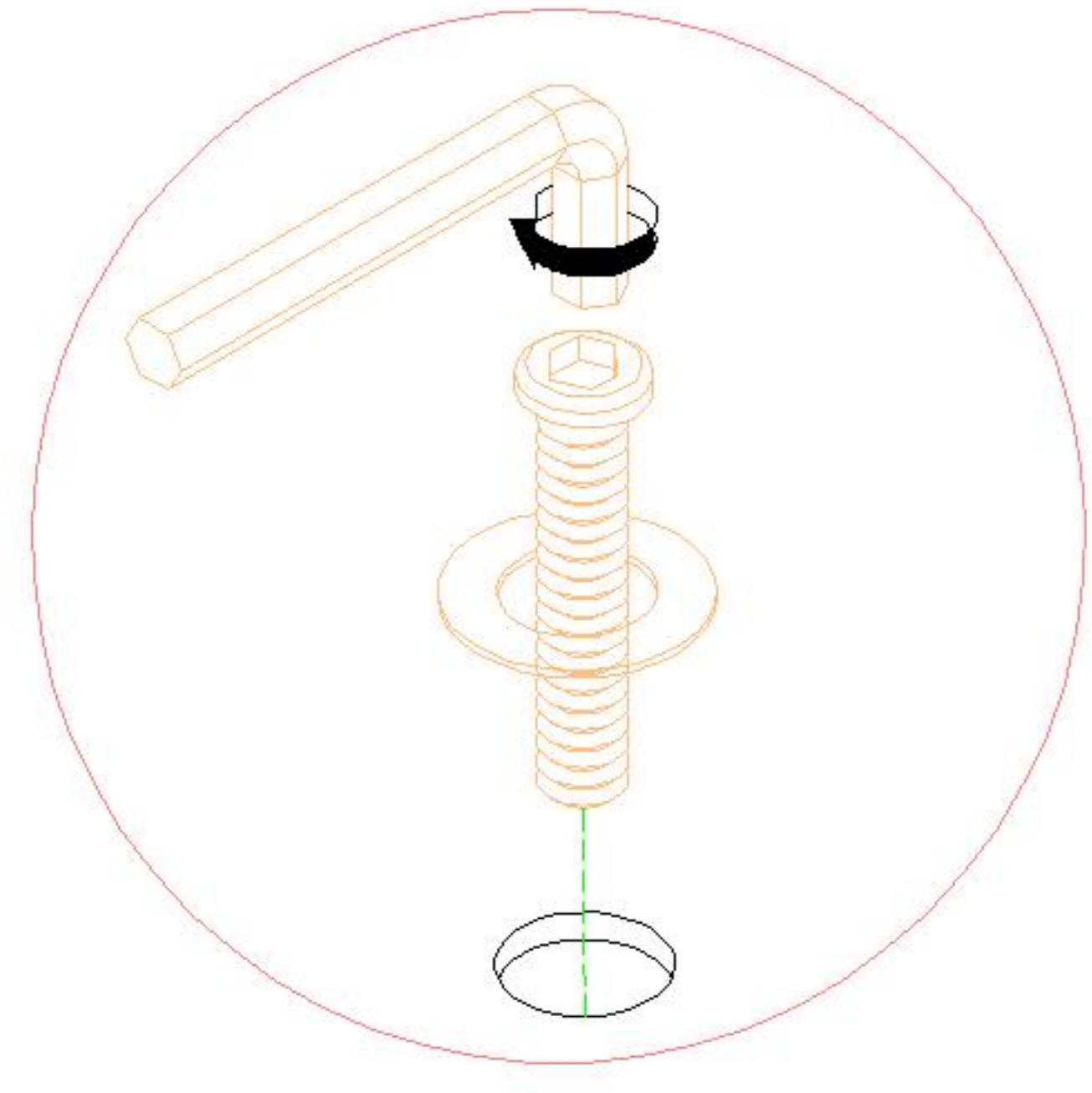
(K)*15

自攻螺丝M4*40mm
Self-tapping screw

编号NO.	名称 Name	规格 (mm) Specification	数量QTY	材质 Material
1	顶板Top board	596*320*18	1	实木 Wood
2	底板Bottom board	596*320*18	1	实木 Wood
3	层板Shelf	560*278*18	3	实木 Wood
4	右侧板组立Side board assembly (R)	1318*320*36	1	实木 Wood
5	左侧板组立Side board assembly (L)	1318*320*36	1	实木 Wood
6	垫条1Cushion strip 1	240*20*12	8	实木 Wood
7	上翻门Upturn door	556*295*20	2	实木+玻璃 Wood+Glass
8	下翻门Down door	556*357*20	2	实木+玻璃 Wood+Glass
9	背板1 Back board 1	1200*294*8	2	实木 Wood
10	后拉条Back brace	558*78*18	2	实木 Wood
11	底框Bottom frame	574*298*35	1	实木 Wood
12	脚Foot	180*50*50	4	实木 Wood

AS2X-A (0.6m)

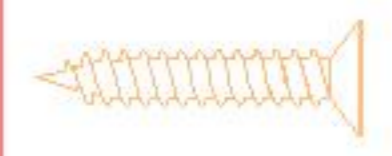
安装方法/
Installation method



斜边内六角螺杆
Beveled hexagon socket head screw



(A)*4



(K)*8



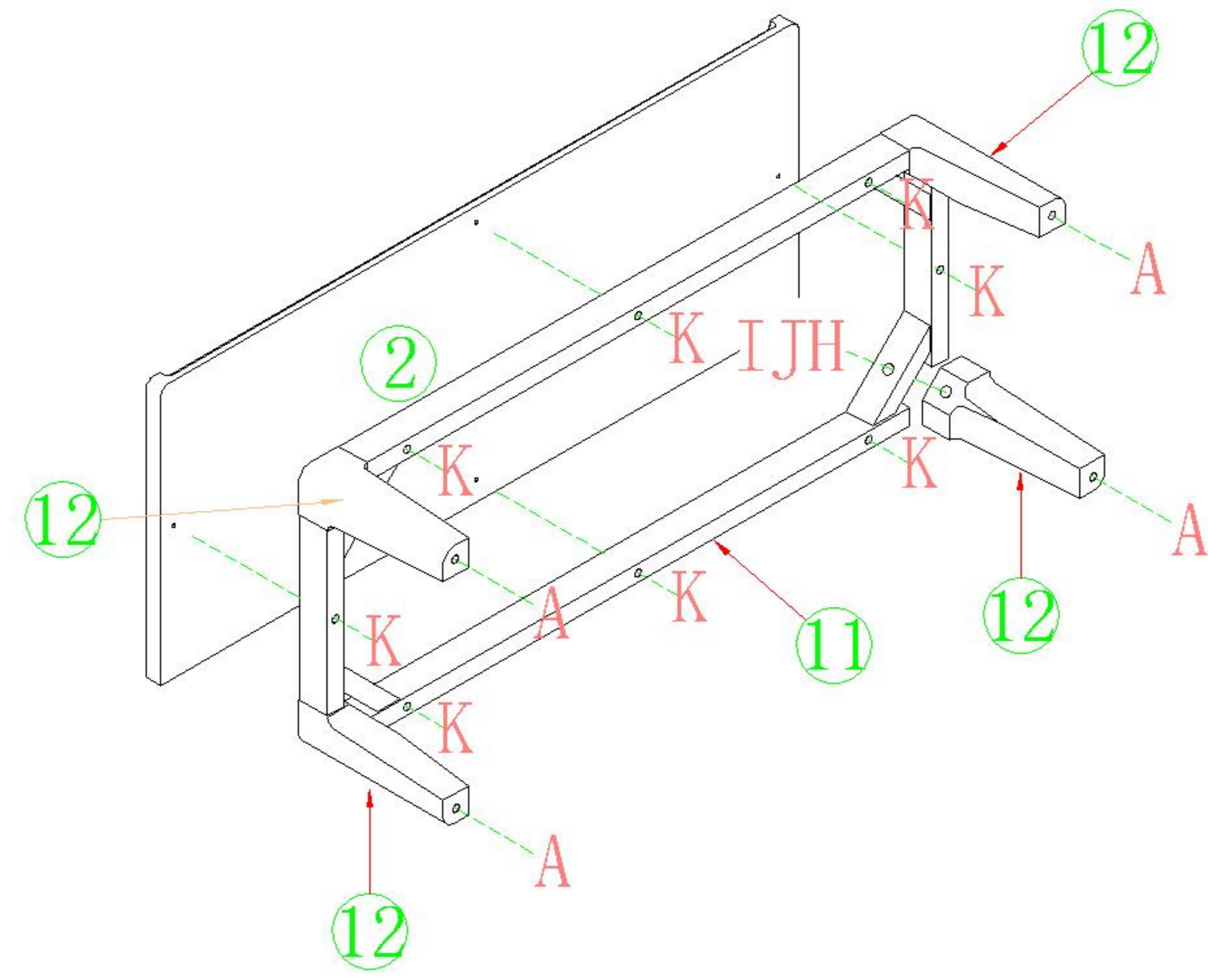
(I)*1



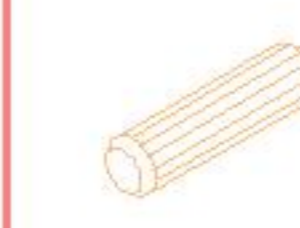
(J)*4



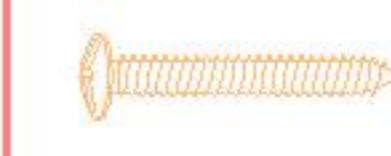
(H)*4



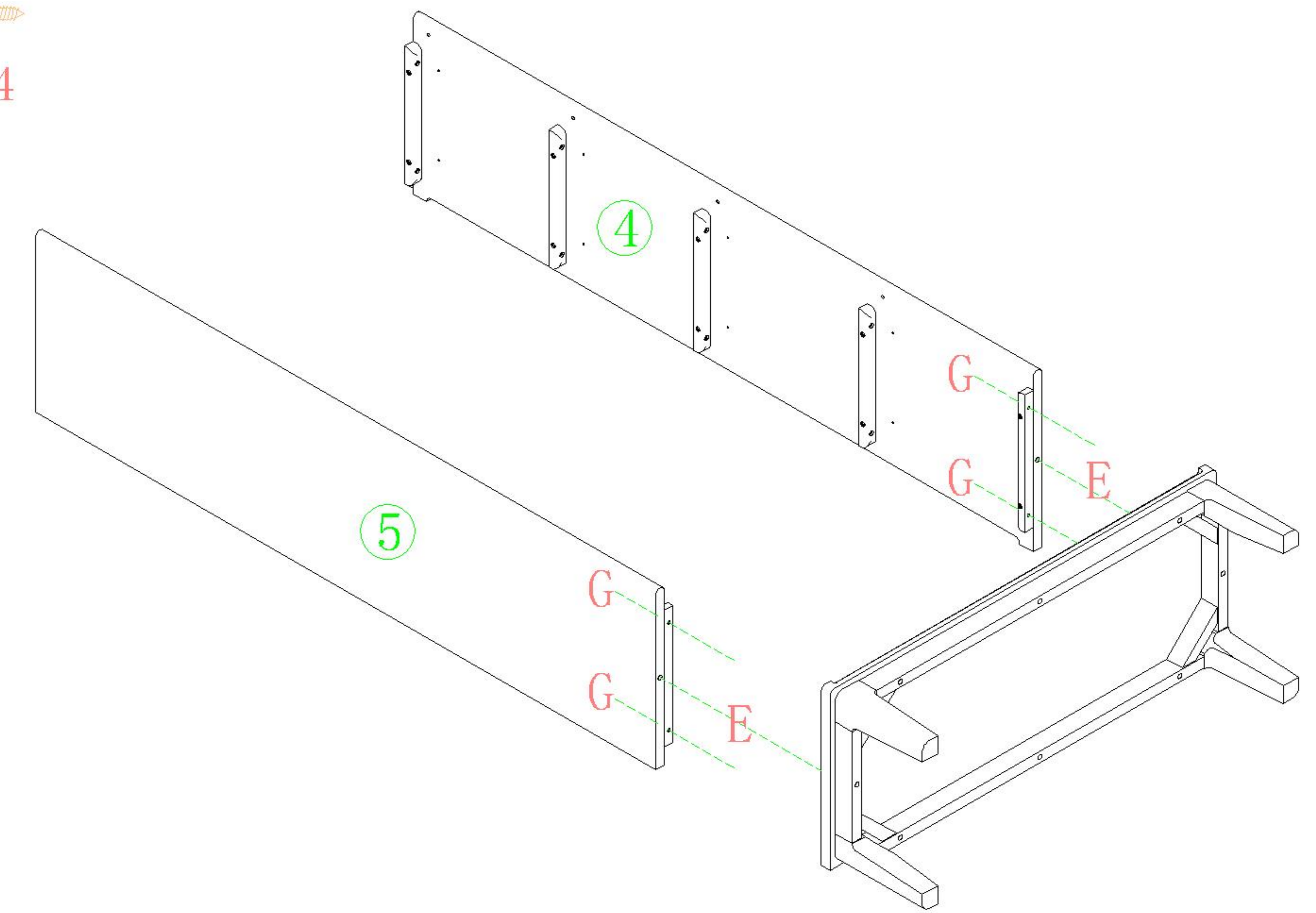
1



(E)*2



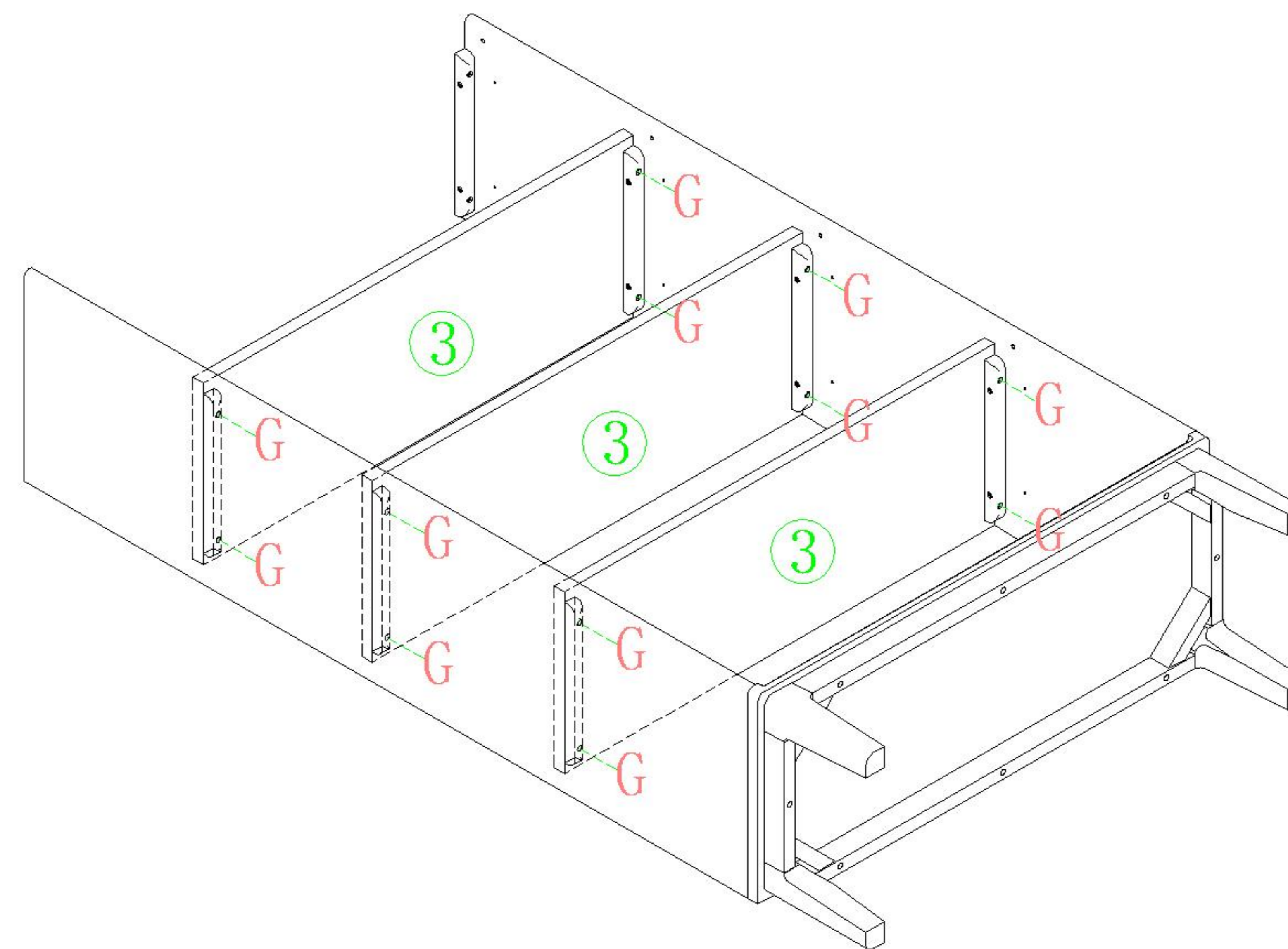
(G)*4



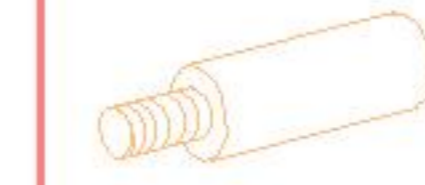
2



(G)*12



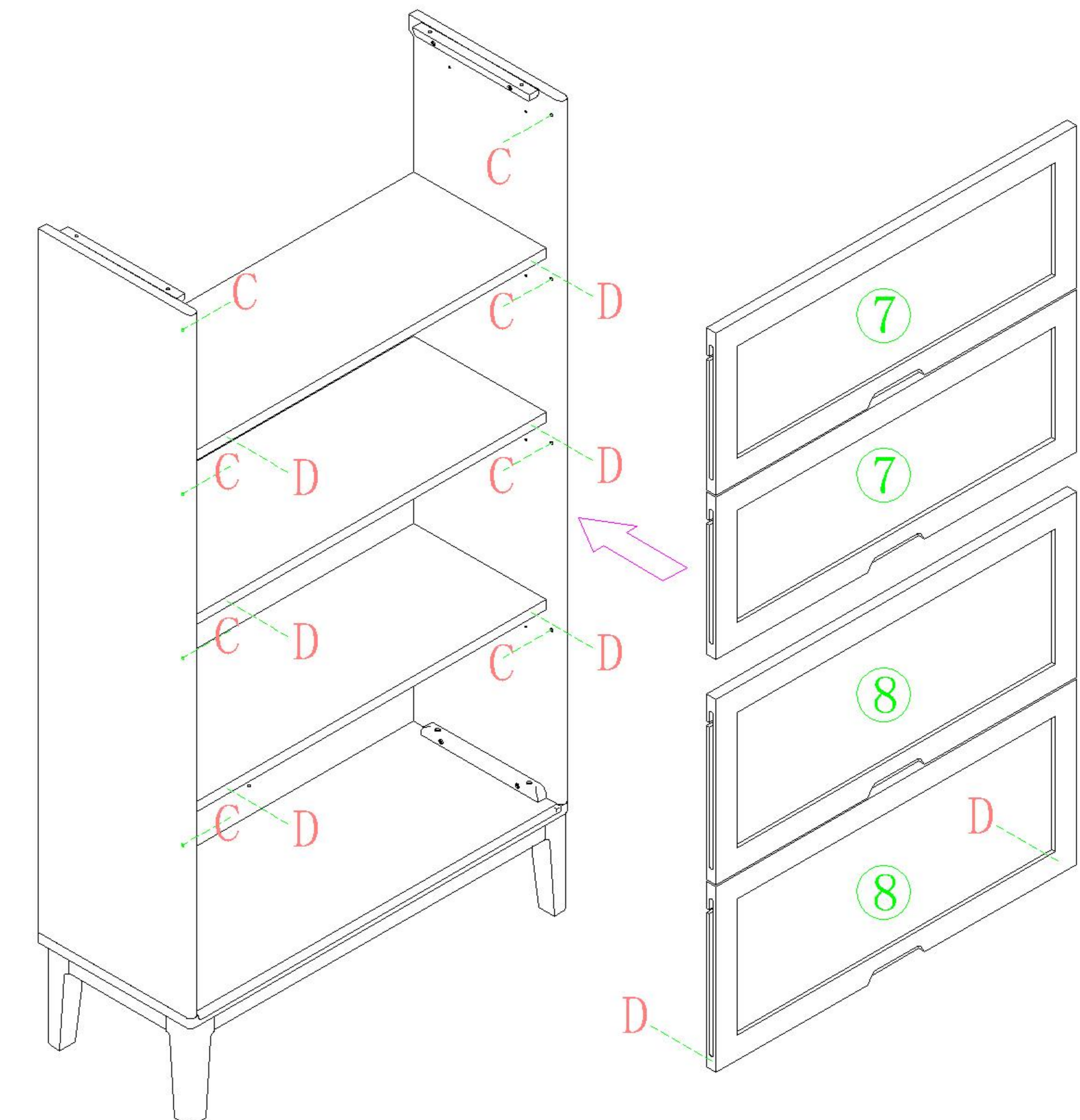
3



(C)*8



(D)*8

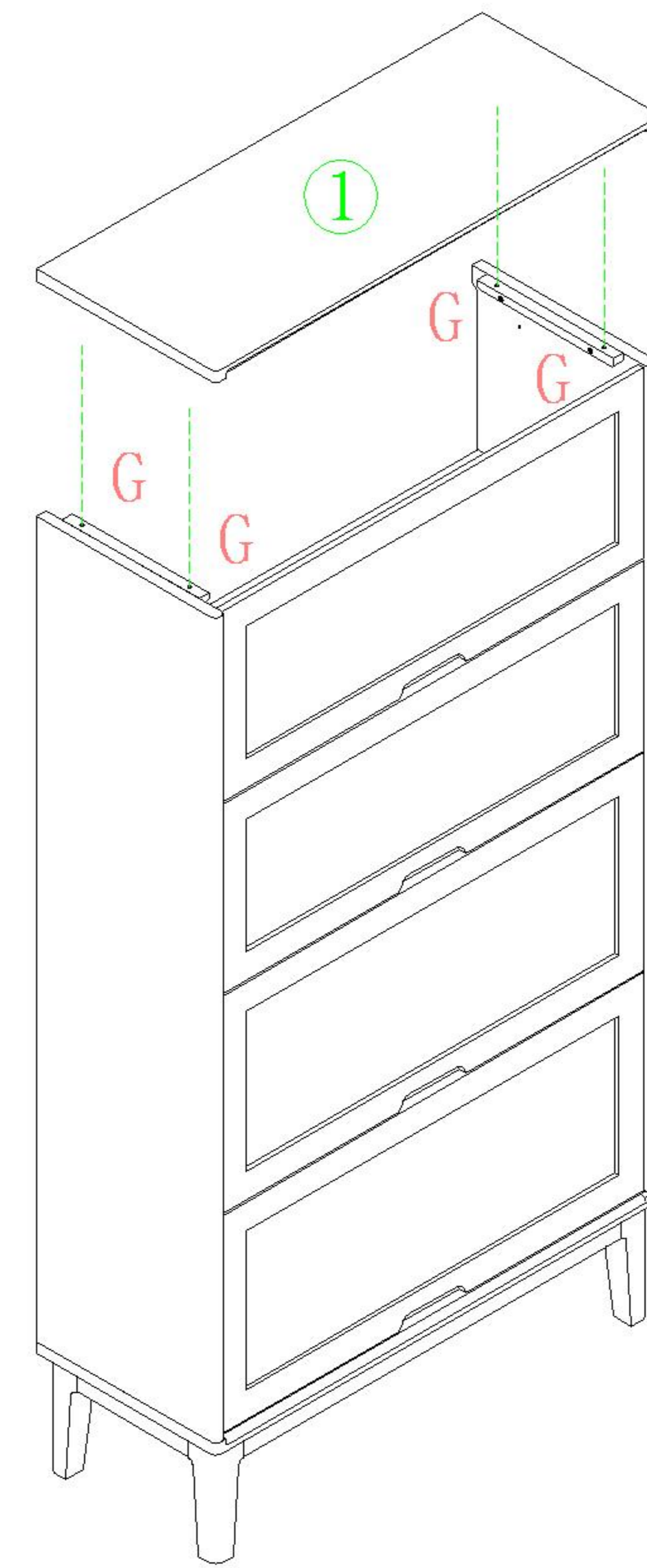


4

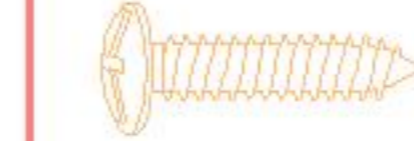
安装方法/
Installation method



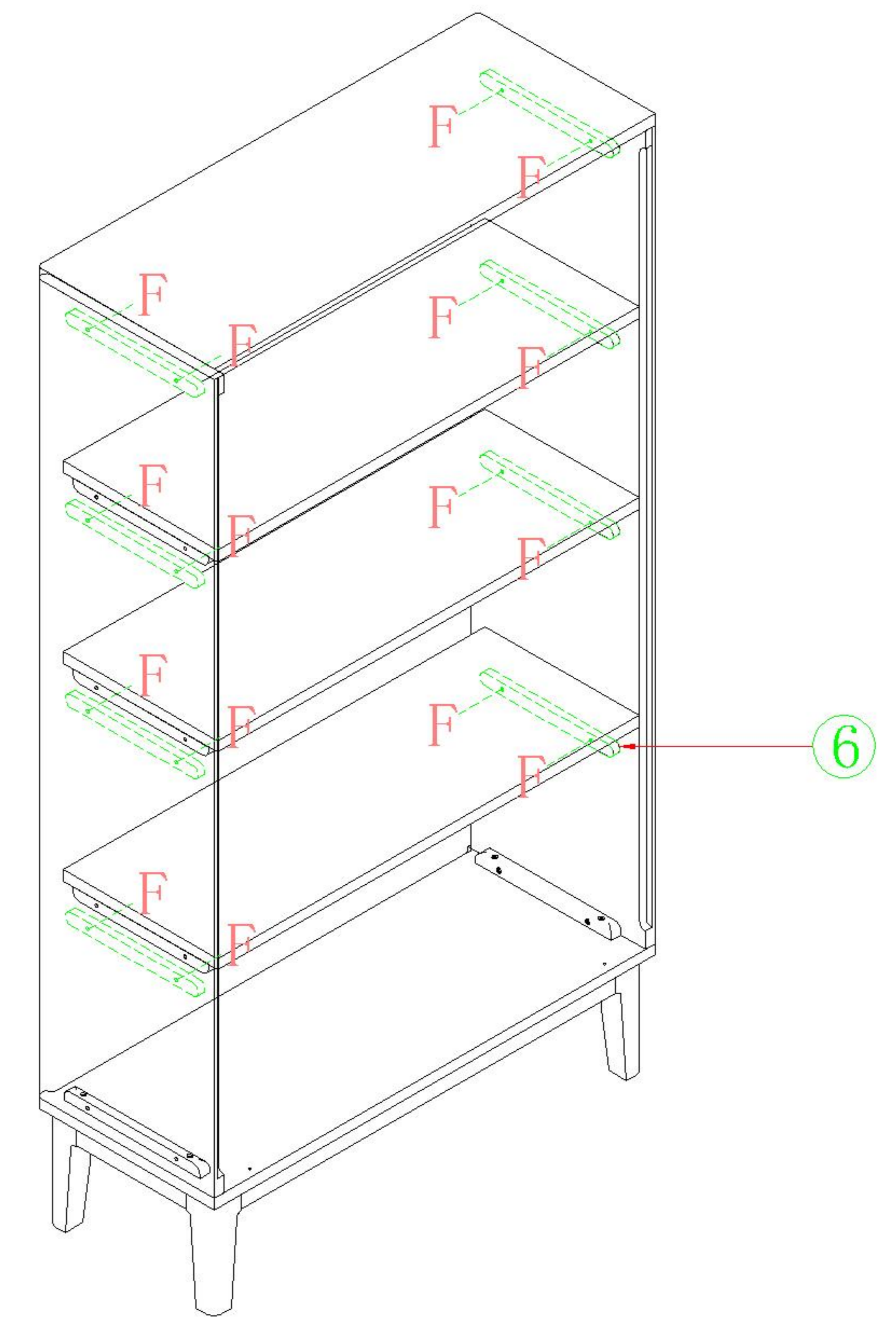
(G)*4



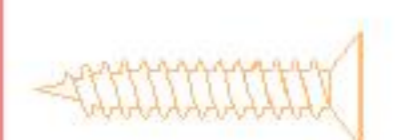
5



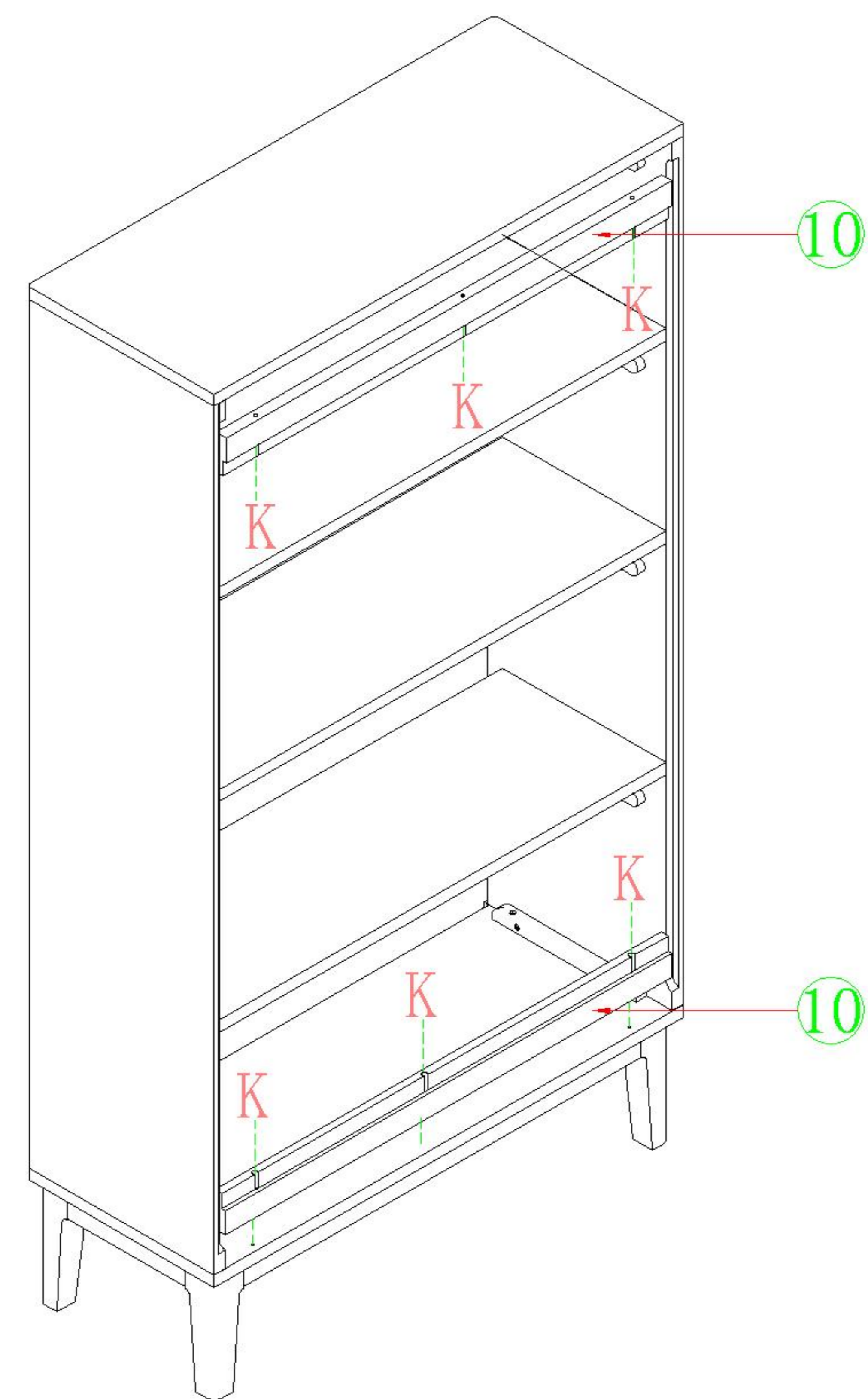
(F)*16



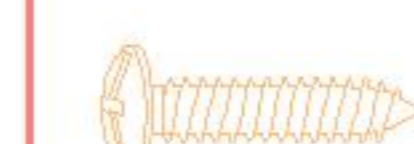
6



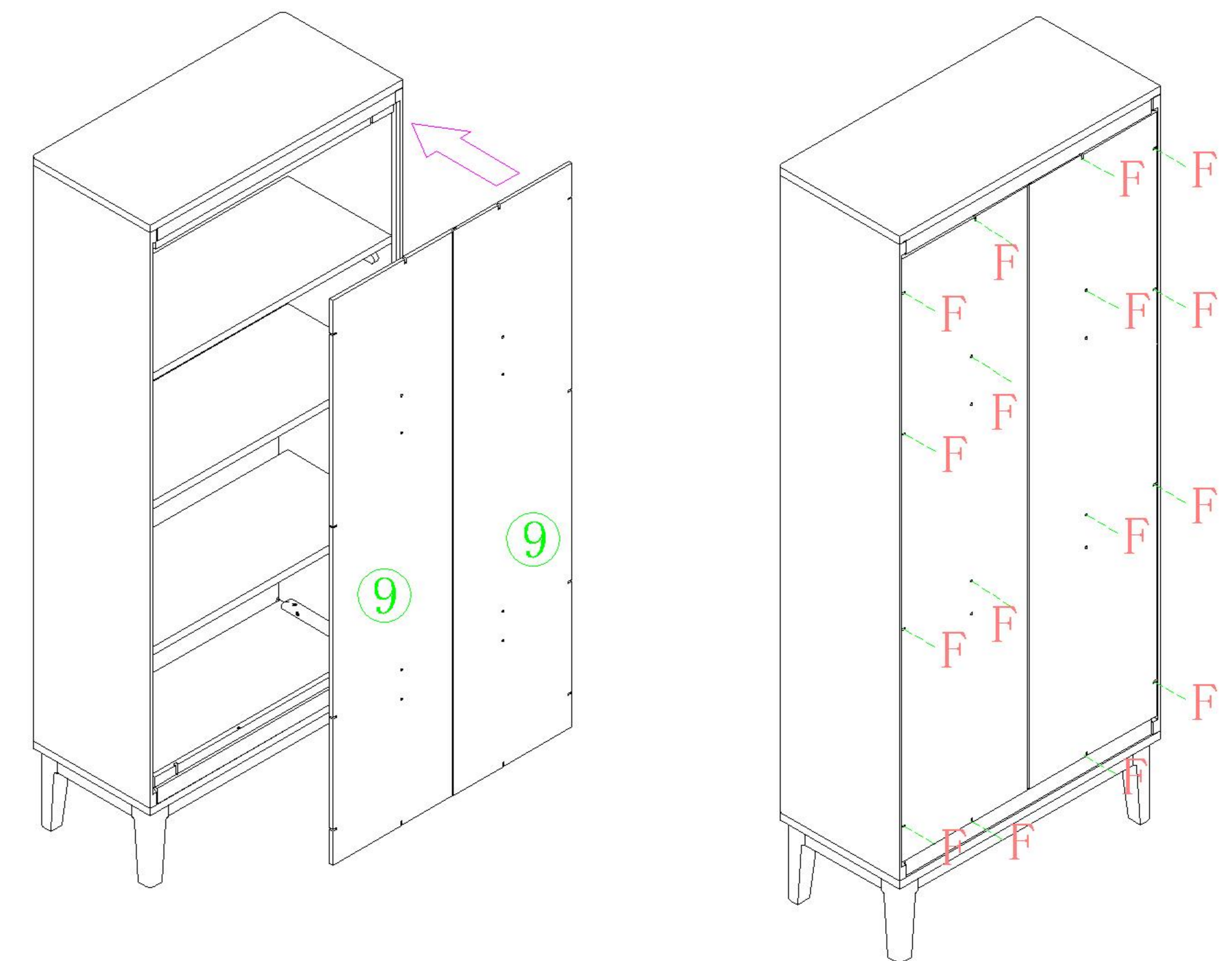
(K)*6



7



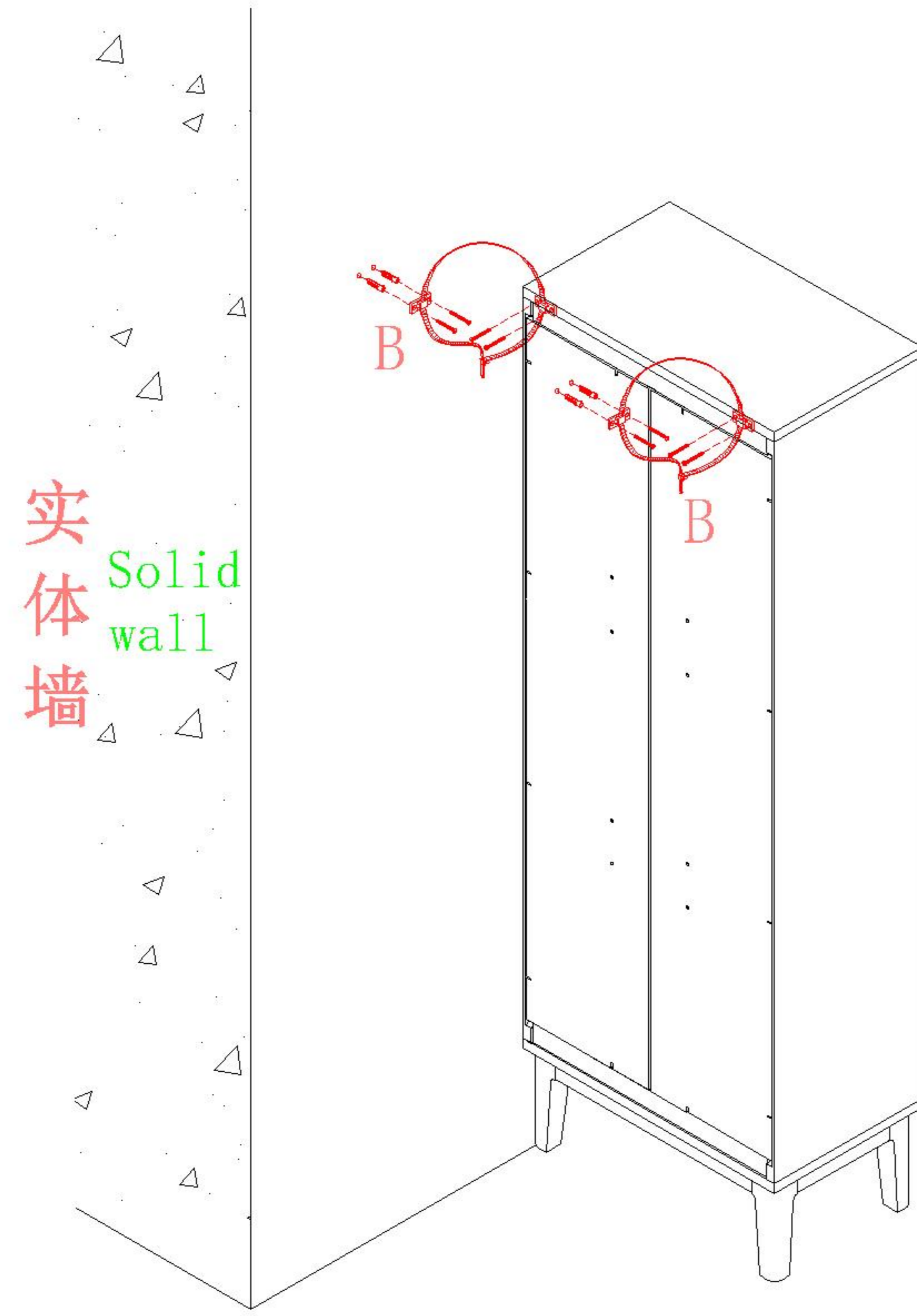
(F)*16



8

安装方法/
Installation method

(B)*2



B处放大图
Enlarge figure

