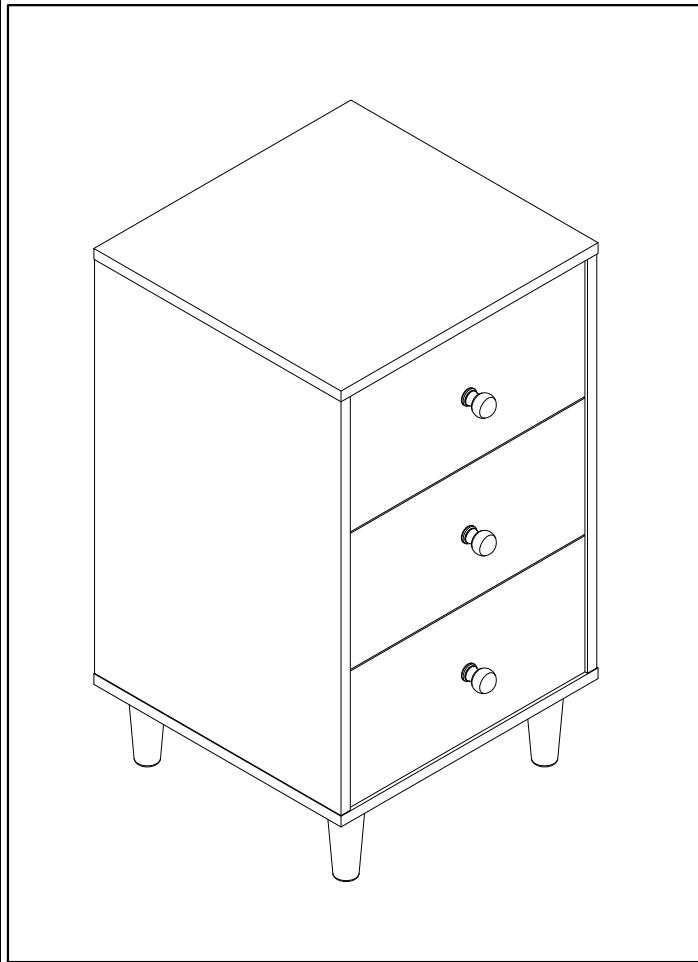
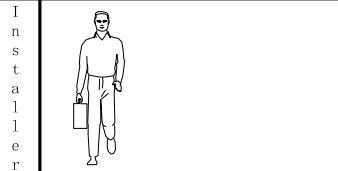
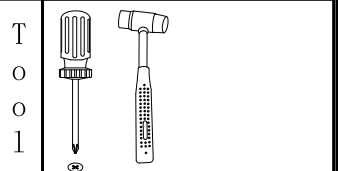


# LINSY 林氏家居

## Assembly Instruction

Model NO. LS187E1-A (0.4m) Specification 414\*435\*723mm



## Hardware list

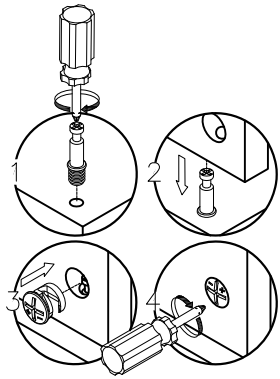
(A)*8 Binl large screw	(B)*8 2-in-1-screw	(C)*8 Wood tenon	(D)*13 3 in 1 screw
(E)*13 Small 2in1 screw	(F)*13 Plastic Nut	(G)*13 Self tapping screw	(H)*38 Self-tapping screw
(I)*3 Three-section ball rail	(J)*4 Bevel croos screw	(K)*4 Back Panel Buckle	(L)*4 Self-tapping screw
(M)*3 Flat head tapping screw	(N)*3 Handle-log color round handle	(O)*4 Rubber stopper	(P)*1 Anti-fall device white

## Parts List

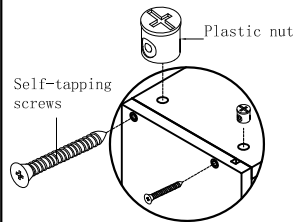
NO.	Name	Specification	QTY	Material
①	Top panel	414*398*15	1	Melamine
②	Bottom board	414*398*15	1	Melamine
③	Side board	578*397*15	2	Melamine
④	Back board	588*392*5	1	Melamine
⑤	Drawer's top panel	378*190*15	3	Melamine
⑥	(L)Side board of drawer	340*142*12	3	Melamine
⑦	(R)Side board of drawer	340*142*12	3	Melamine
⑧	Back board of drawer	332*142*12	3	Melamine
⑨	Drawer Bottom panel	342*336*5	3	Melamine
⑩	Foot	110*46*46	4	Wood

LS187E1-A (0.4m)

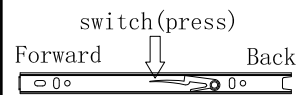
Installation method



2 in 1



Plastic nut

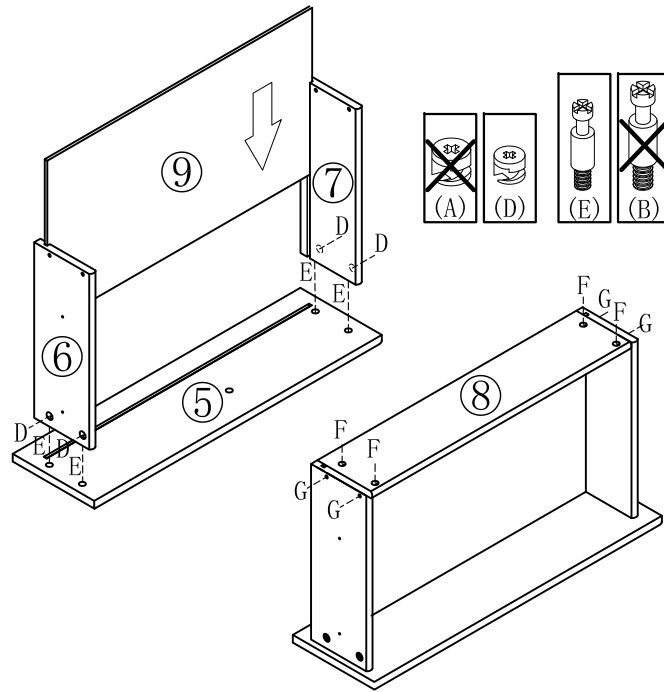


Main track

Sub track

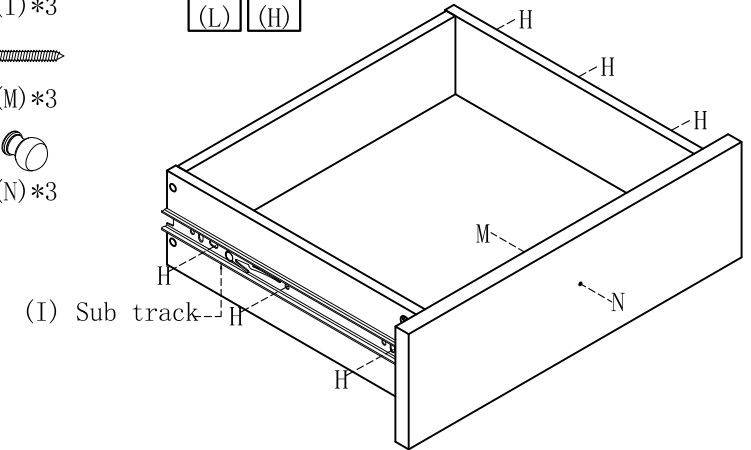
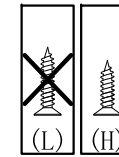
Three Section Ball Guide-10"

- (D)\*12
- (E)\*12
- (F)\*12
- (G)\*12



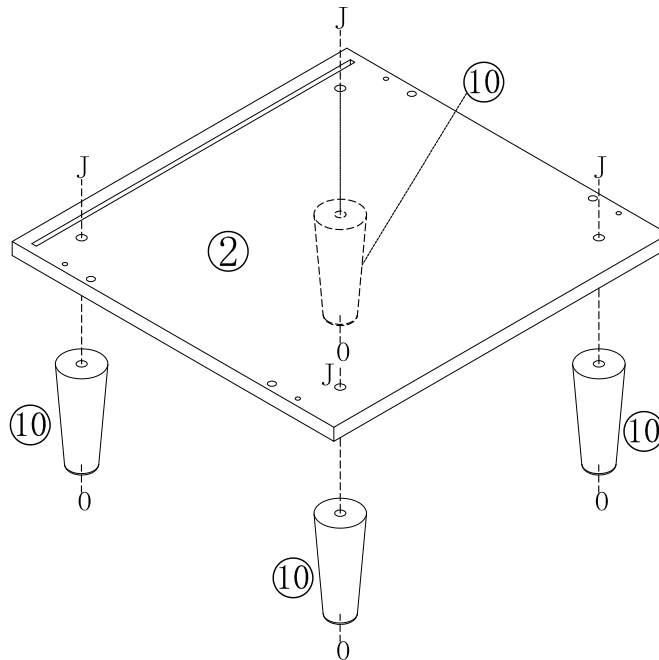
1

- (H)\*18
- (I)\*3
- (M)\*3
- (N)\*3



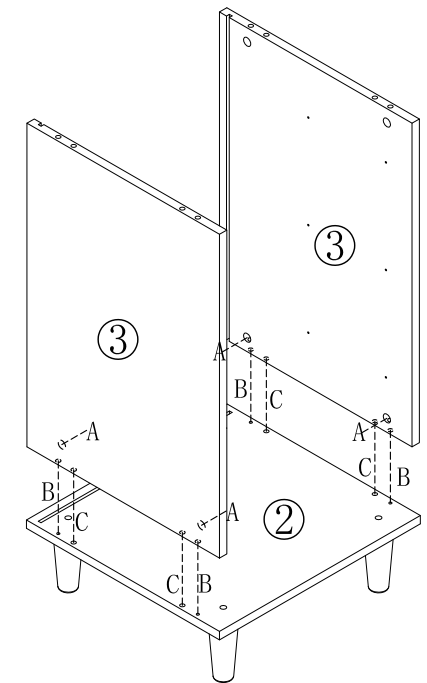
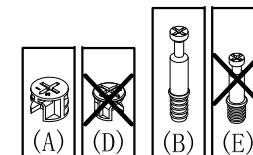
2

- (J)\*4
- (O)\*4



3

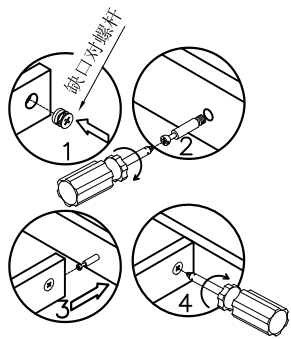
- (A)\*4
- (B)\*4
- (C)\*4



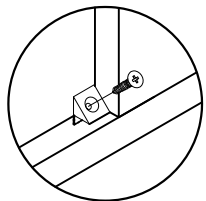
4

LS187E1-A (0.4m)

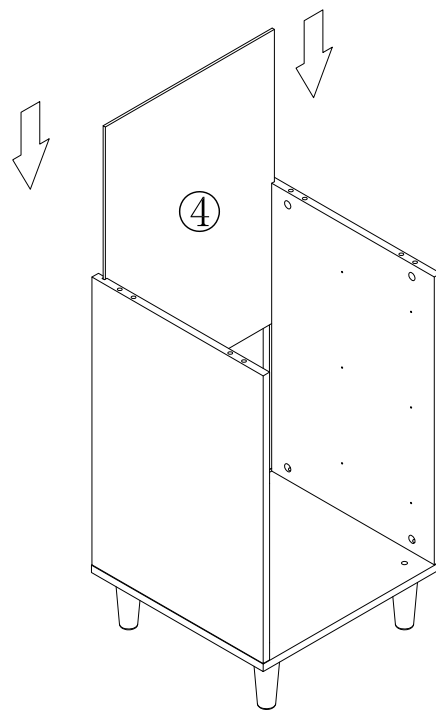
Installation method



2 in 1



Back Plate Buckle-White



5



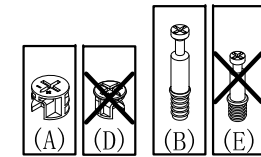
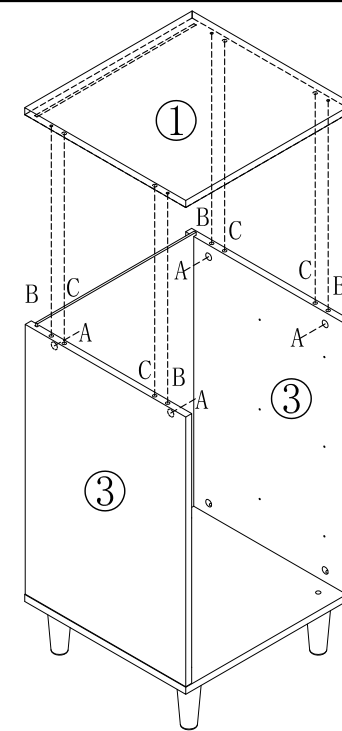
(A)\*4



(B)\*4

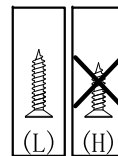
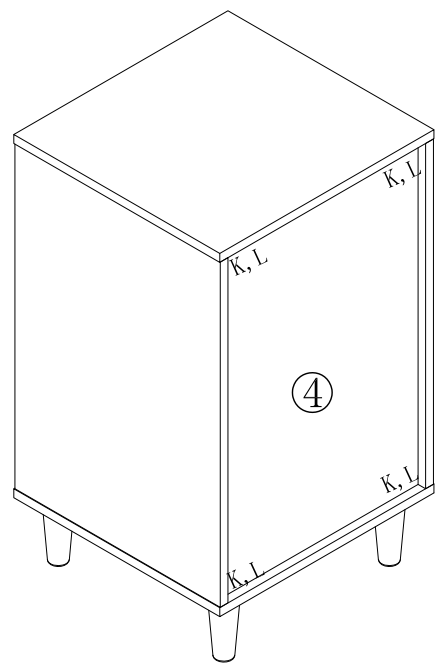


(C)\*4



6

7

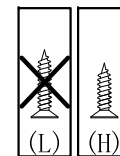
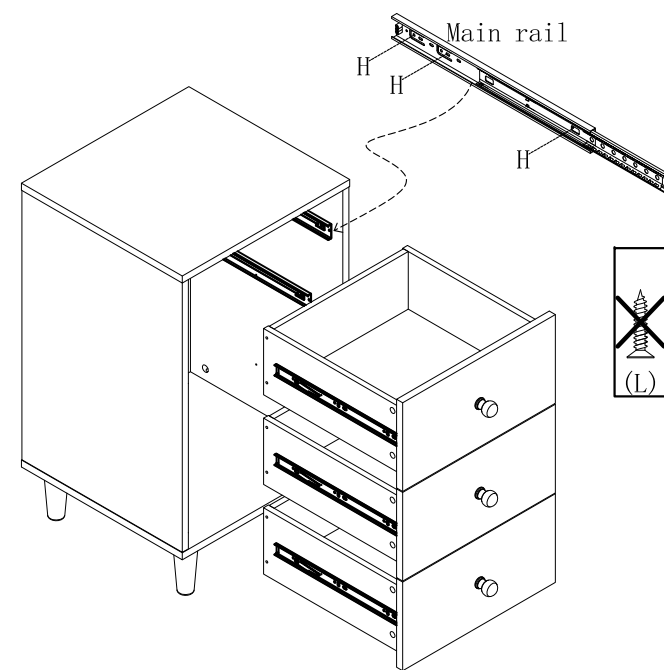


(H)\*18



(I)\*3

8



(P)\*1

