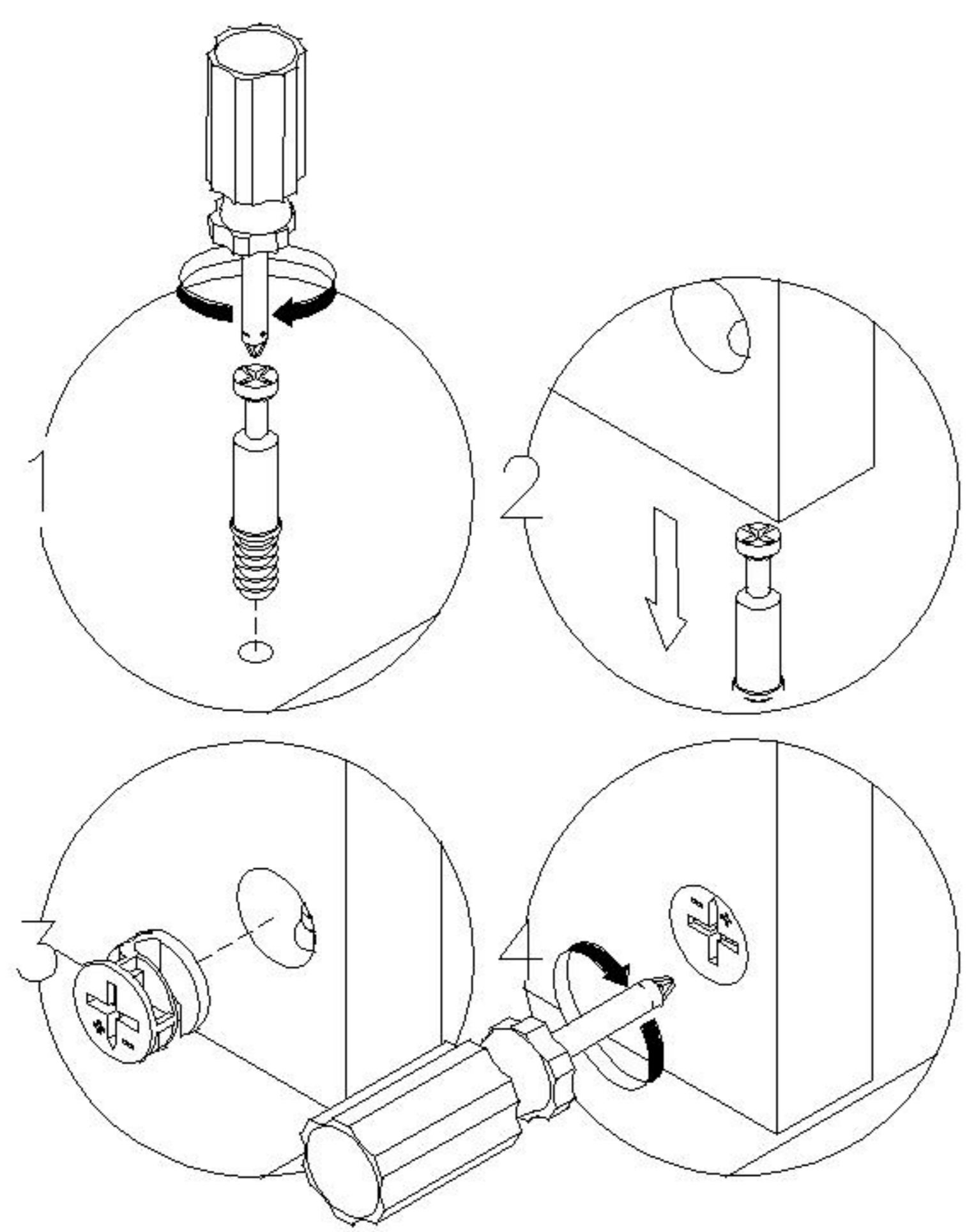


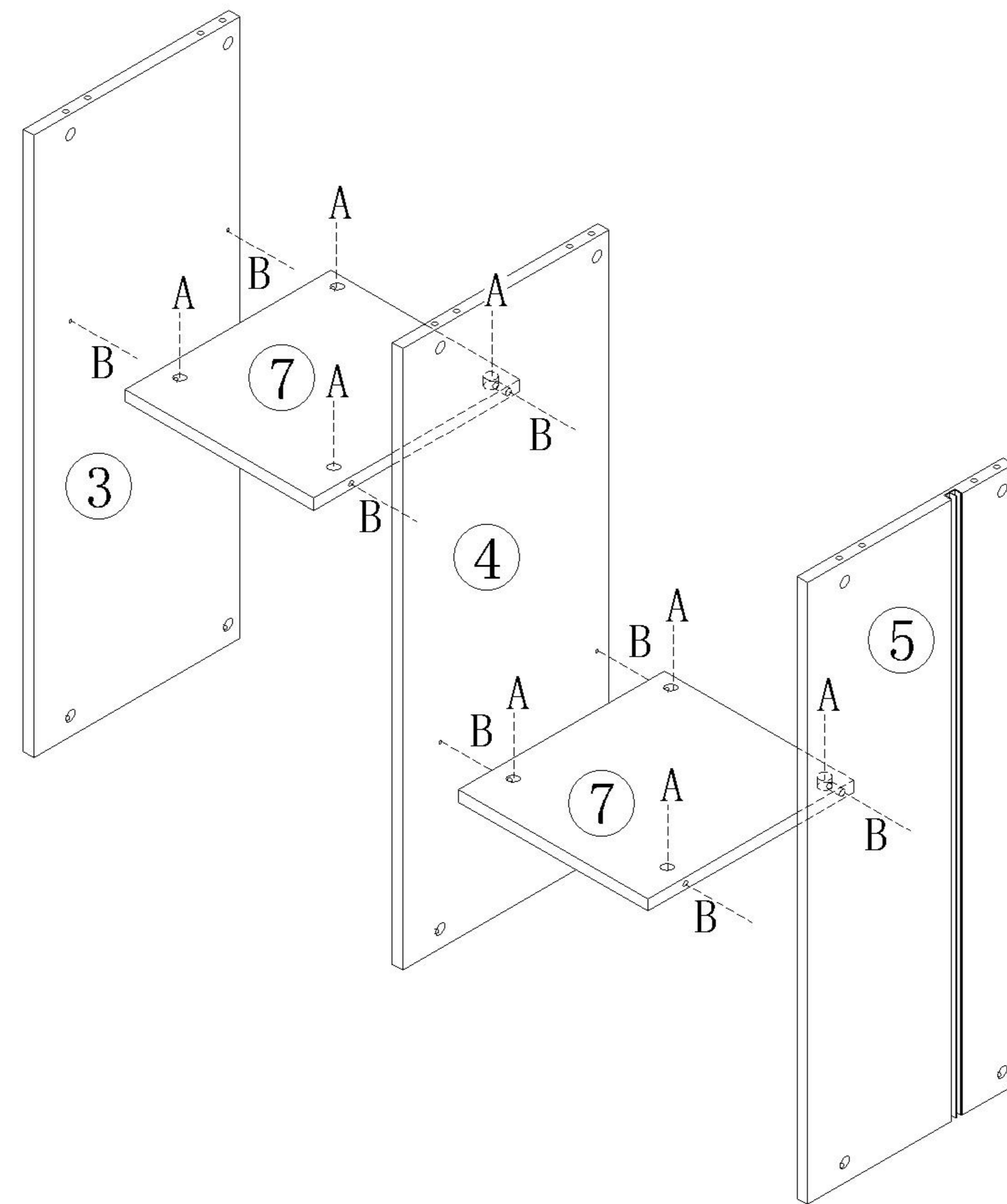
TV6G-A

安装方法/
Installation method



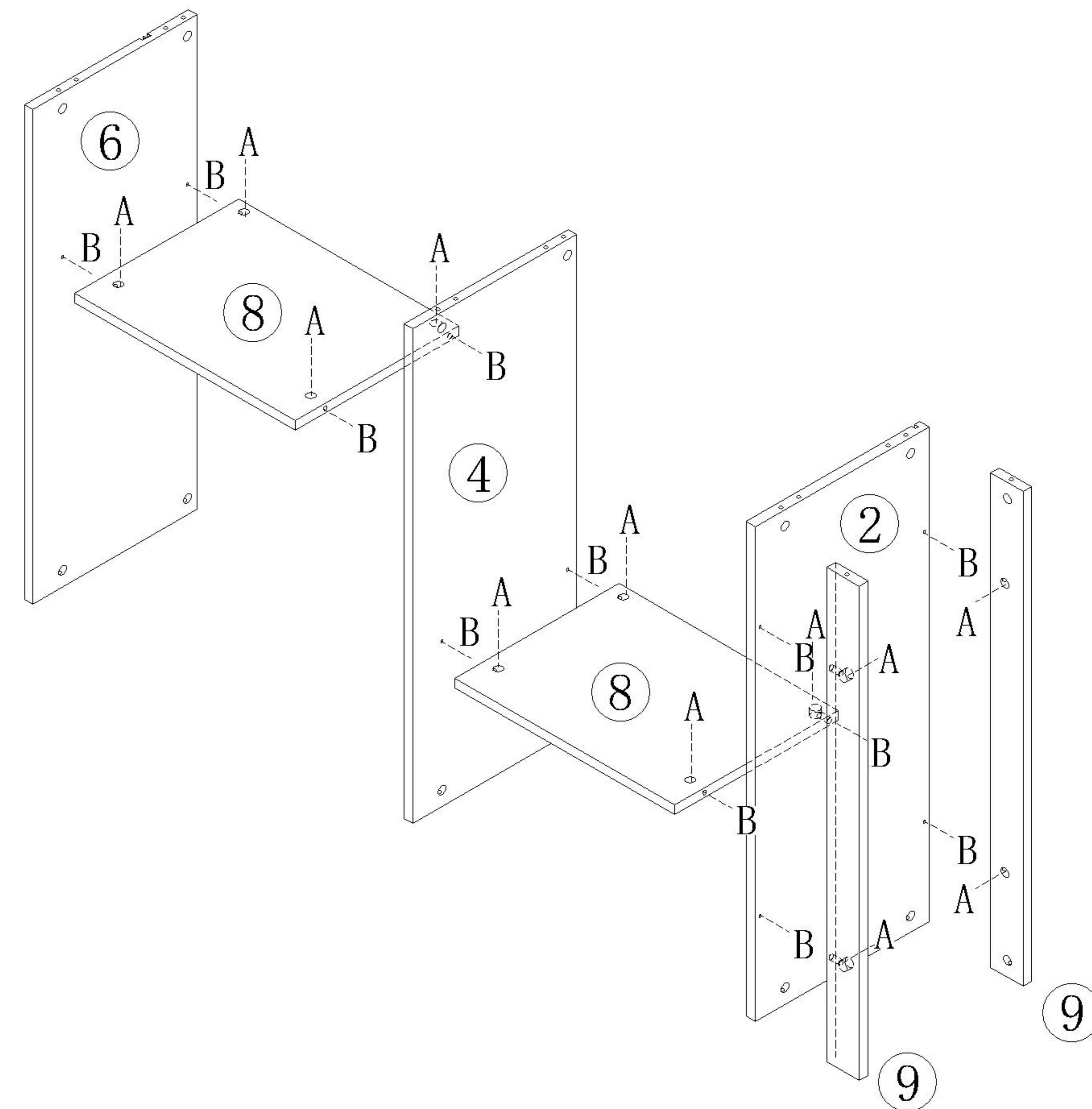
二合一 two-in-one

- (A)*8
- (B)*8



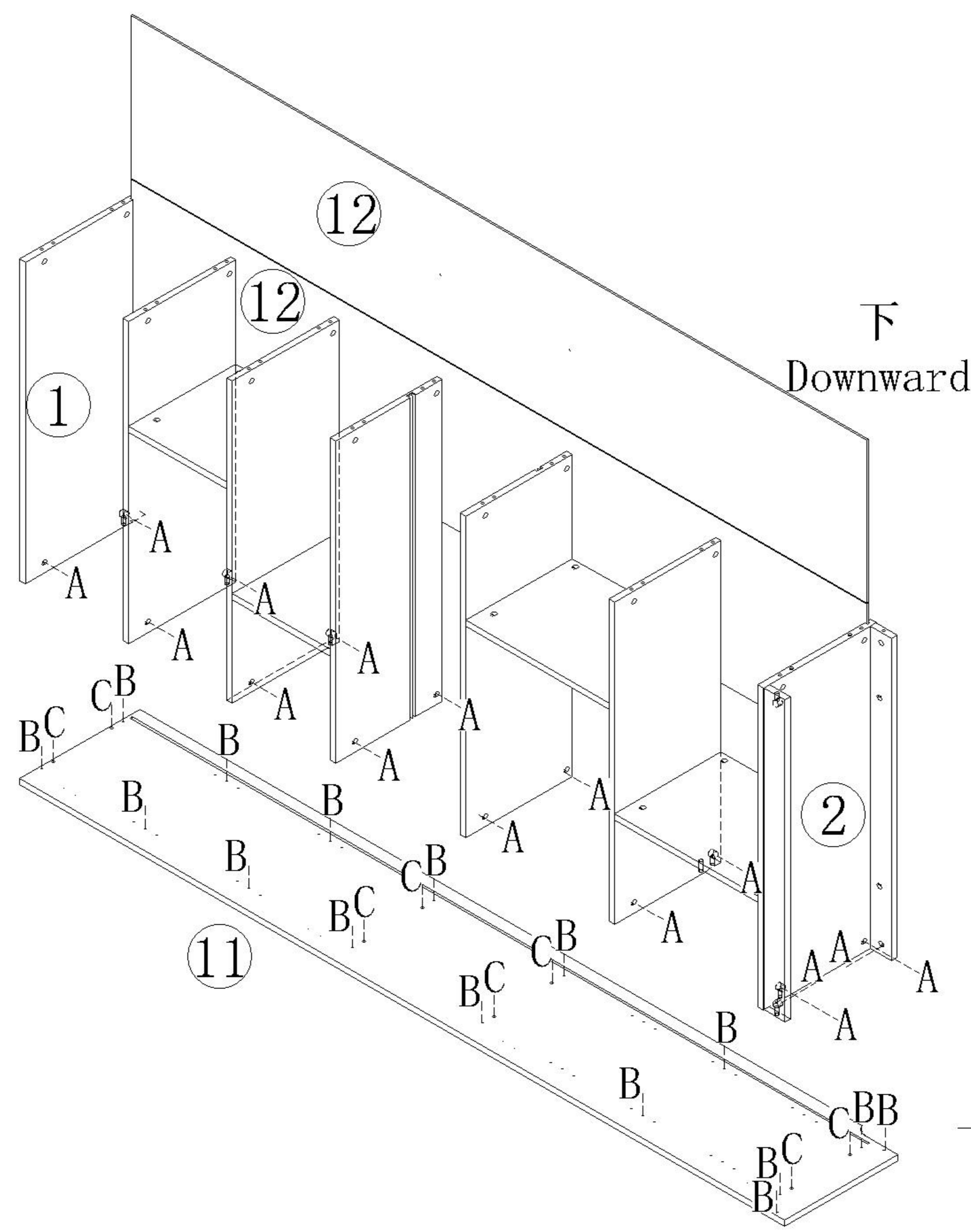
1

- (A)*12
- (B)*12



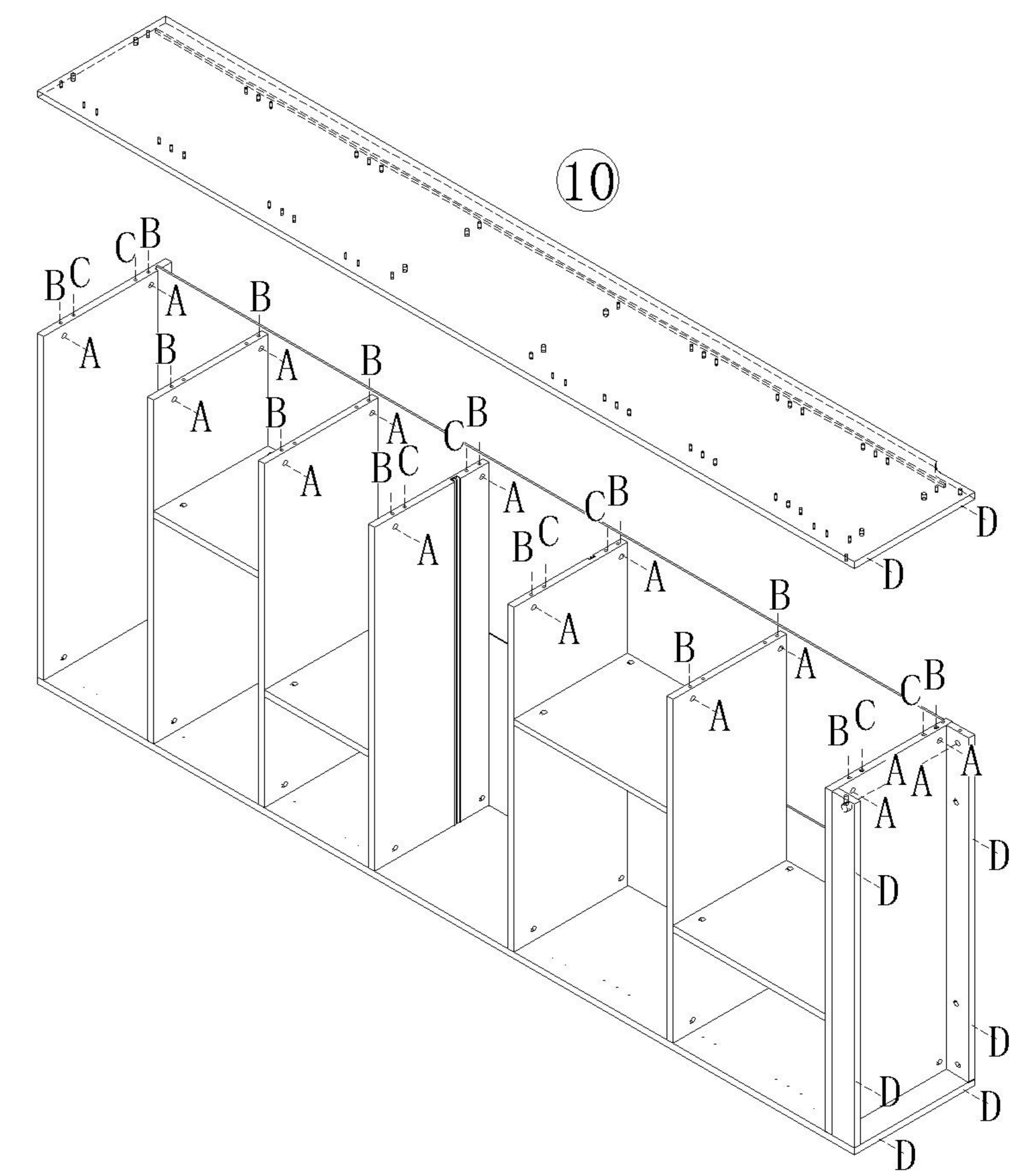
2

- (A)*16
- (B)*16
- (C)*8



3

- (A)*16
- (B)*16
- (C)*8
- (D)*8

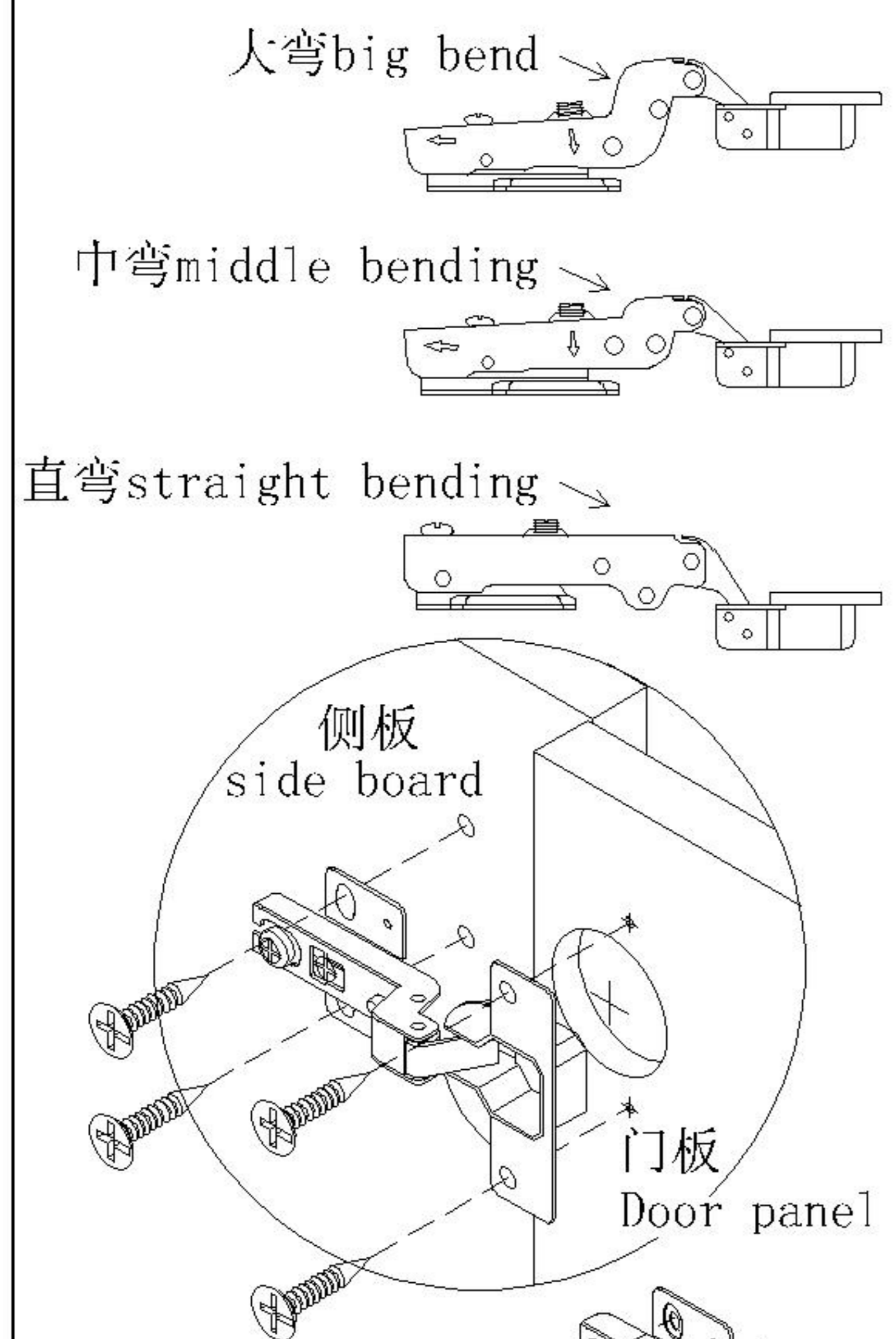


4

TV6G-A

安装方法/ Installation method

(I)*2

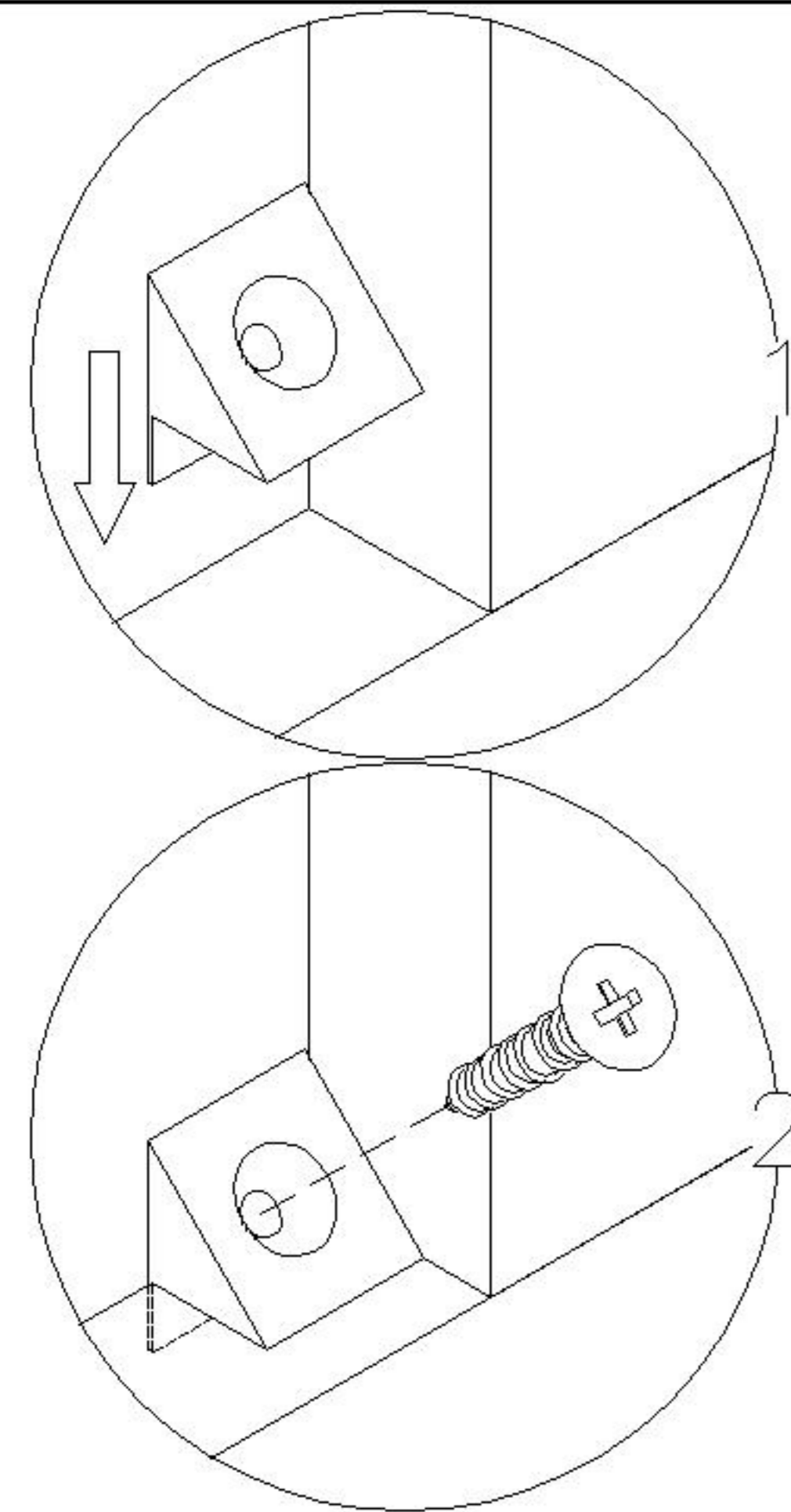


调节上下
Adjust up and down

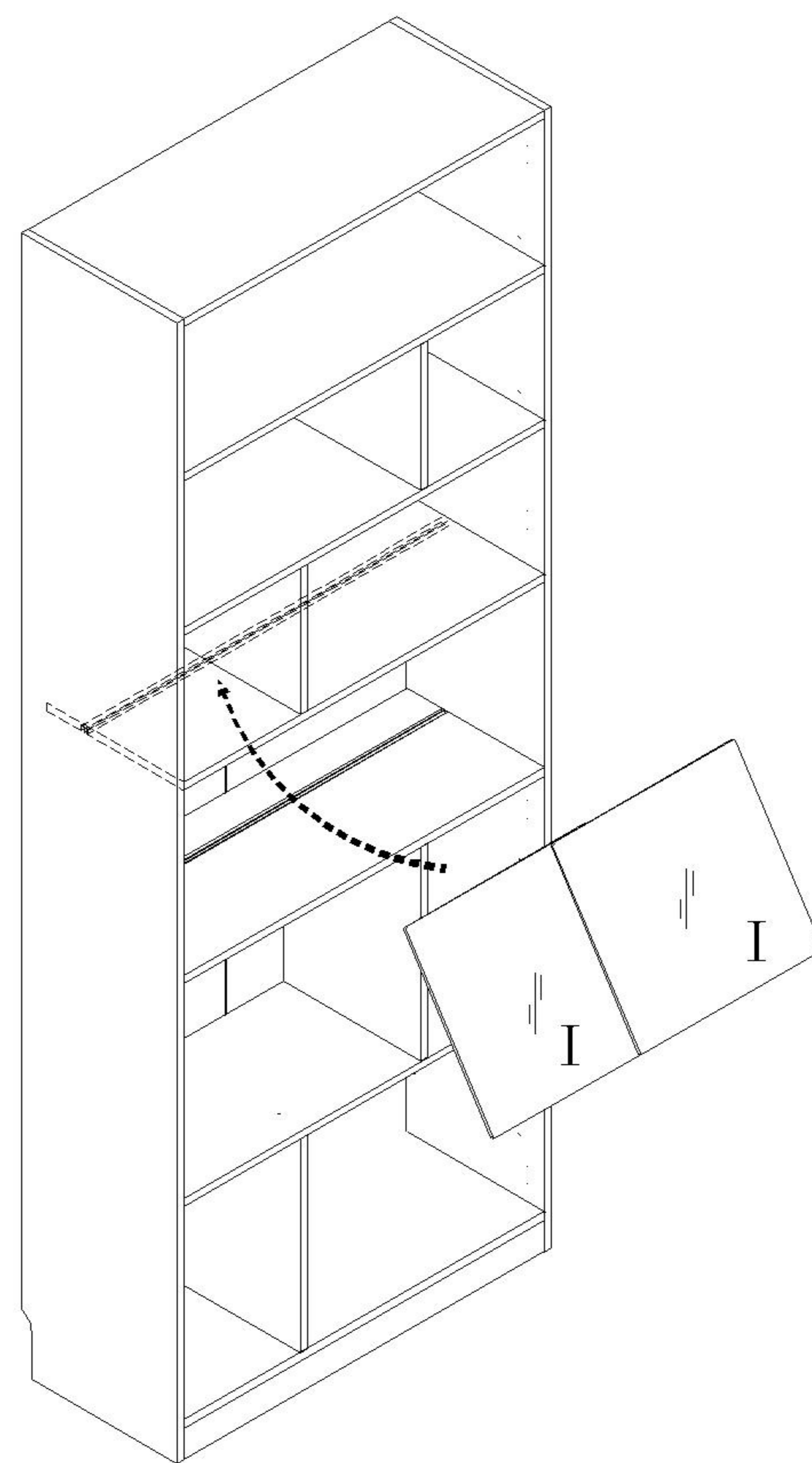
调节左右
Adjust left and right

调节前后
Before and after adjustment

门铰Hinge

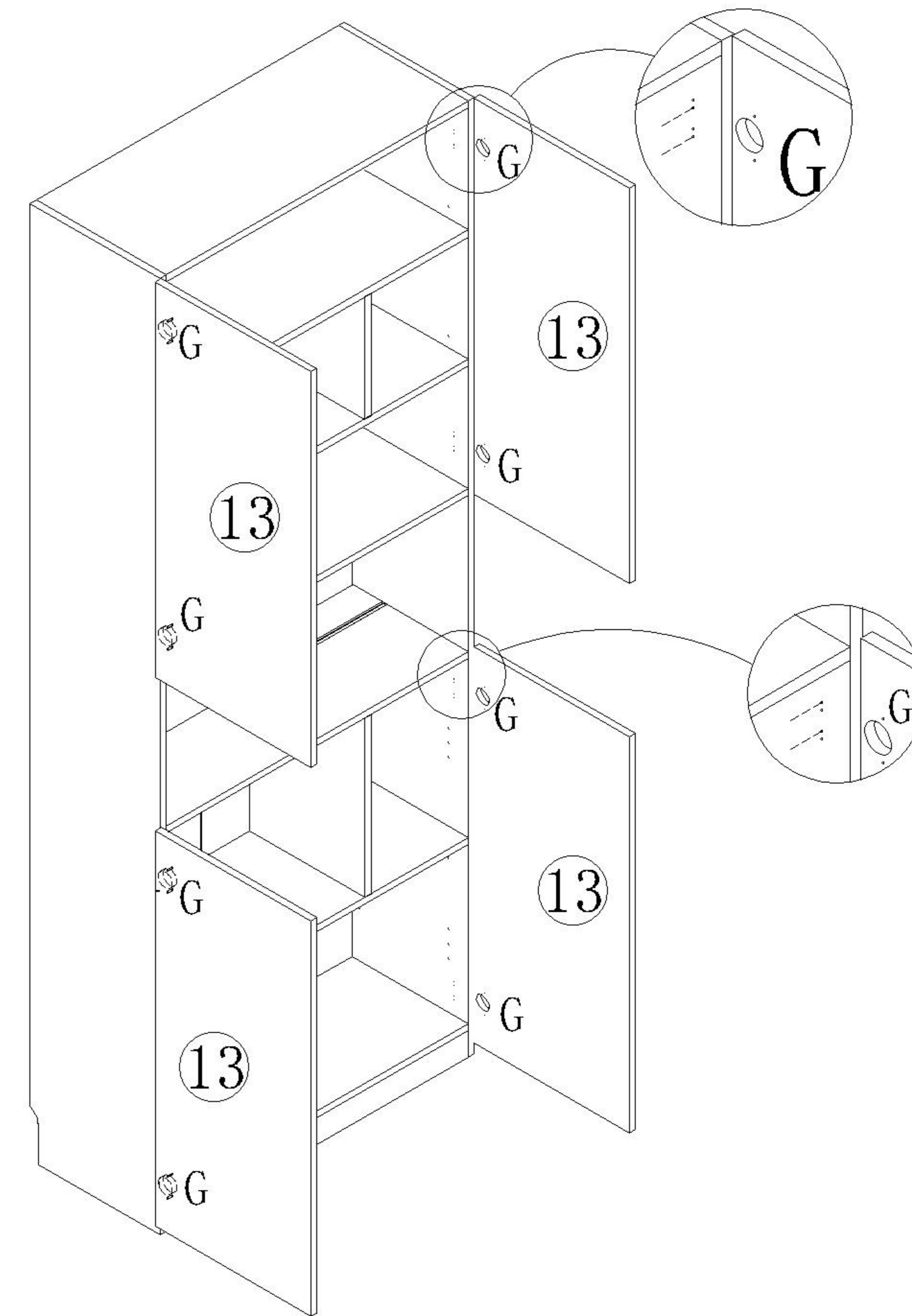


背板扣 Back Plate Buckle



5

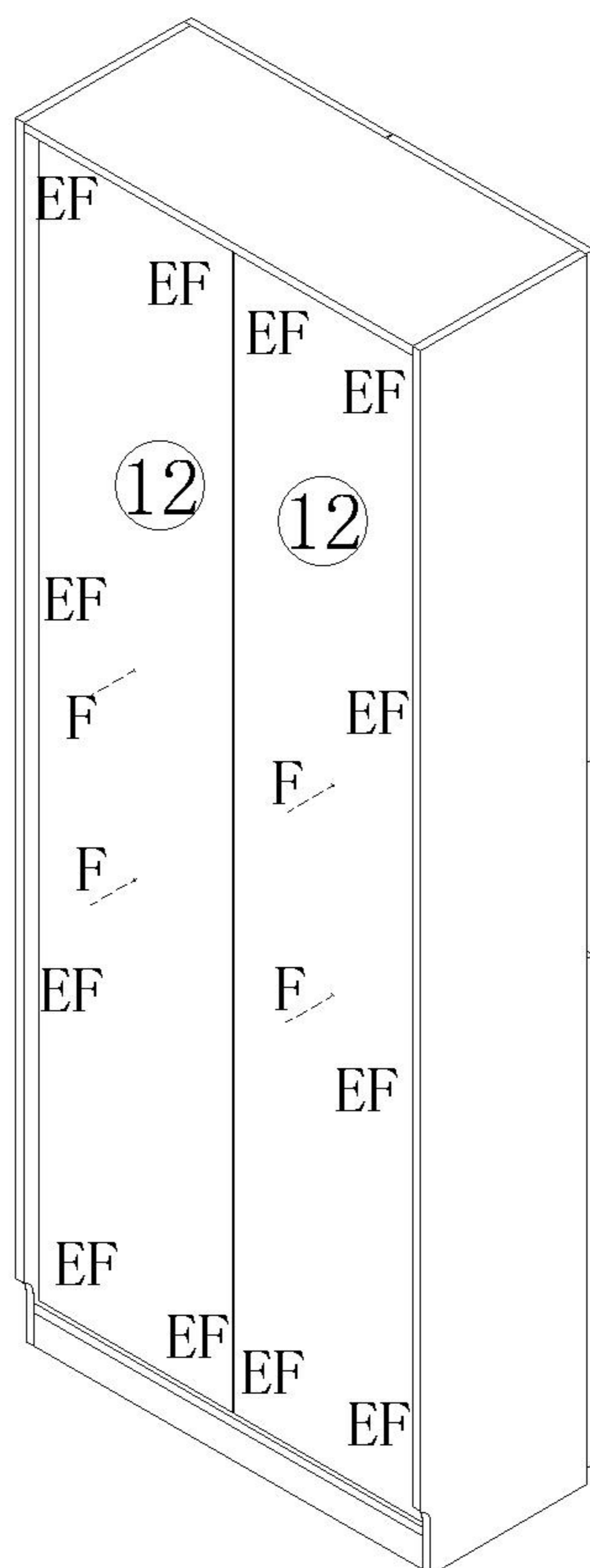
(G)*8



6

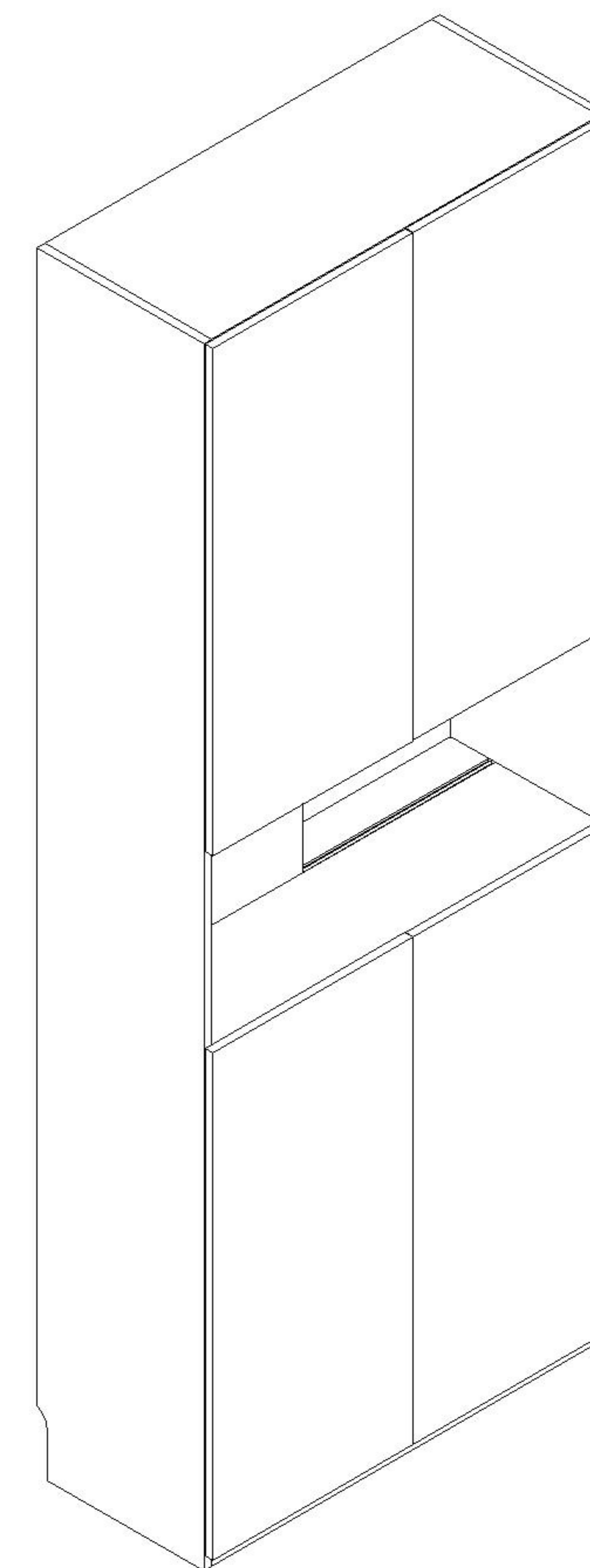
(E)*12

(F)*16



7

8



TV6G-A

安装方法/
Installation method

(H)*2

