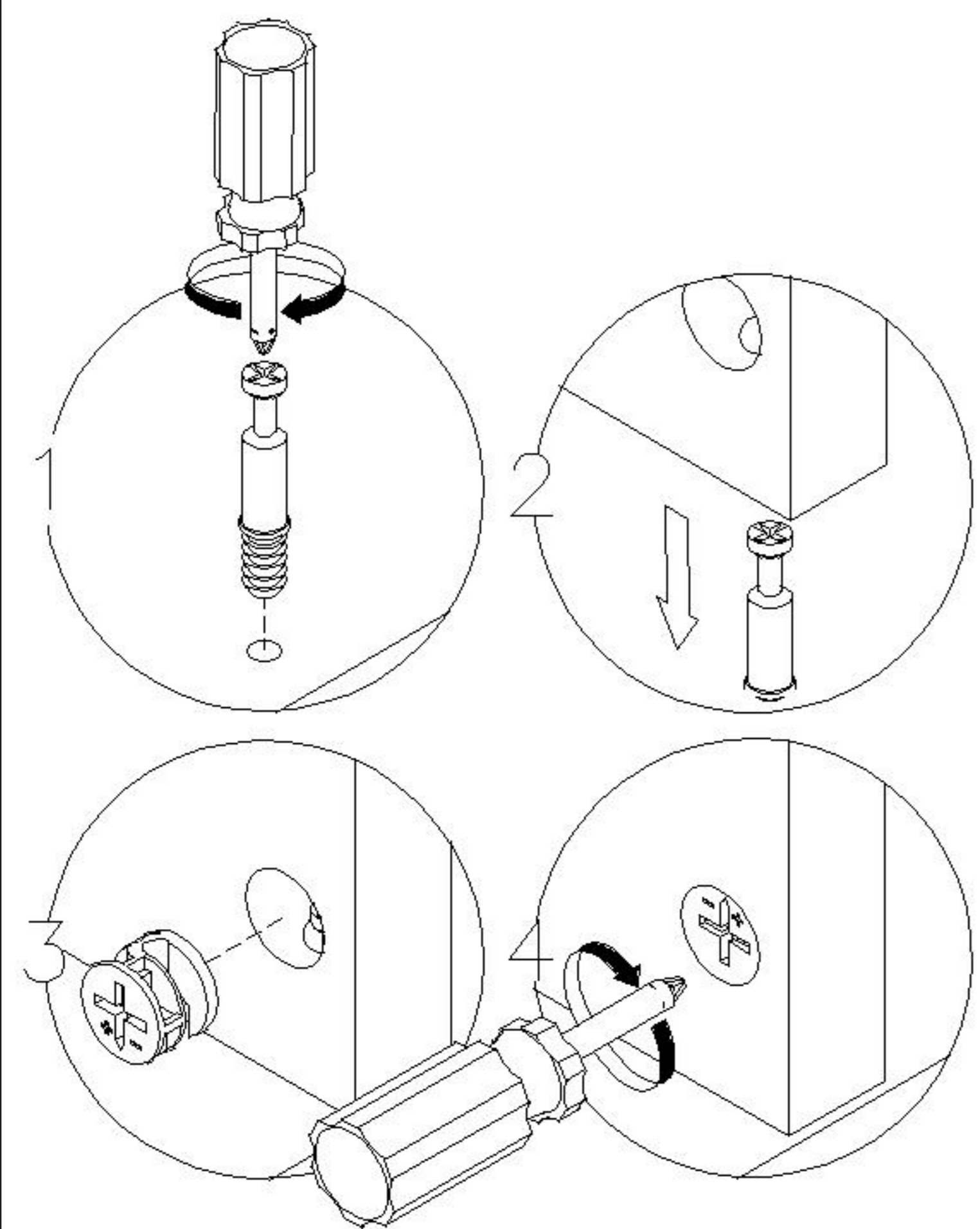


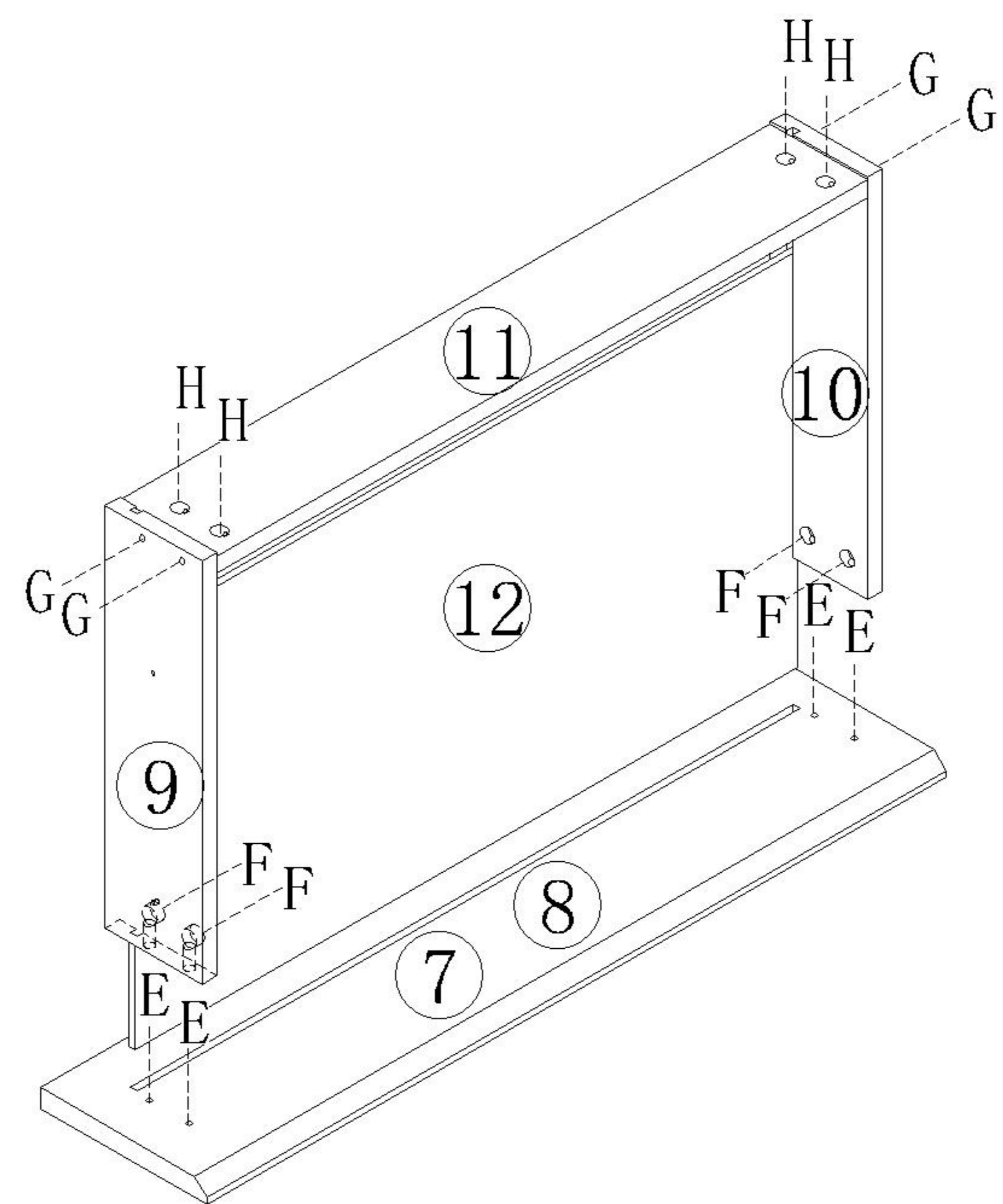
TV1V-A

安装方法/
Installation method



二合一 two-in-one

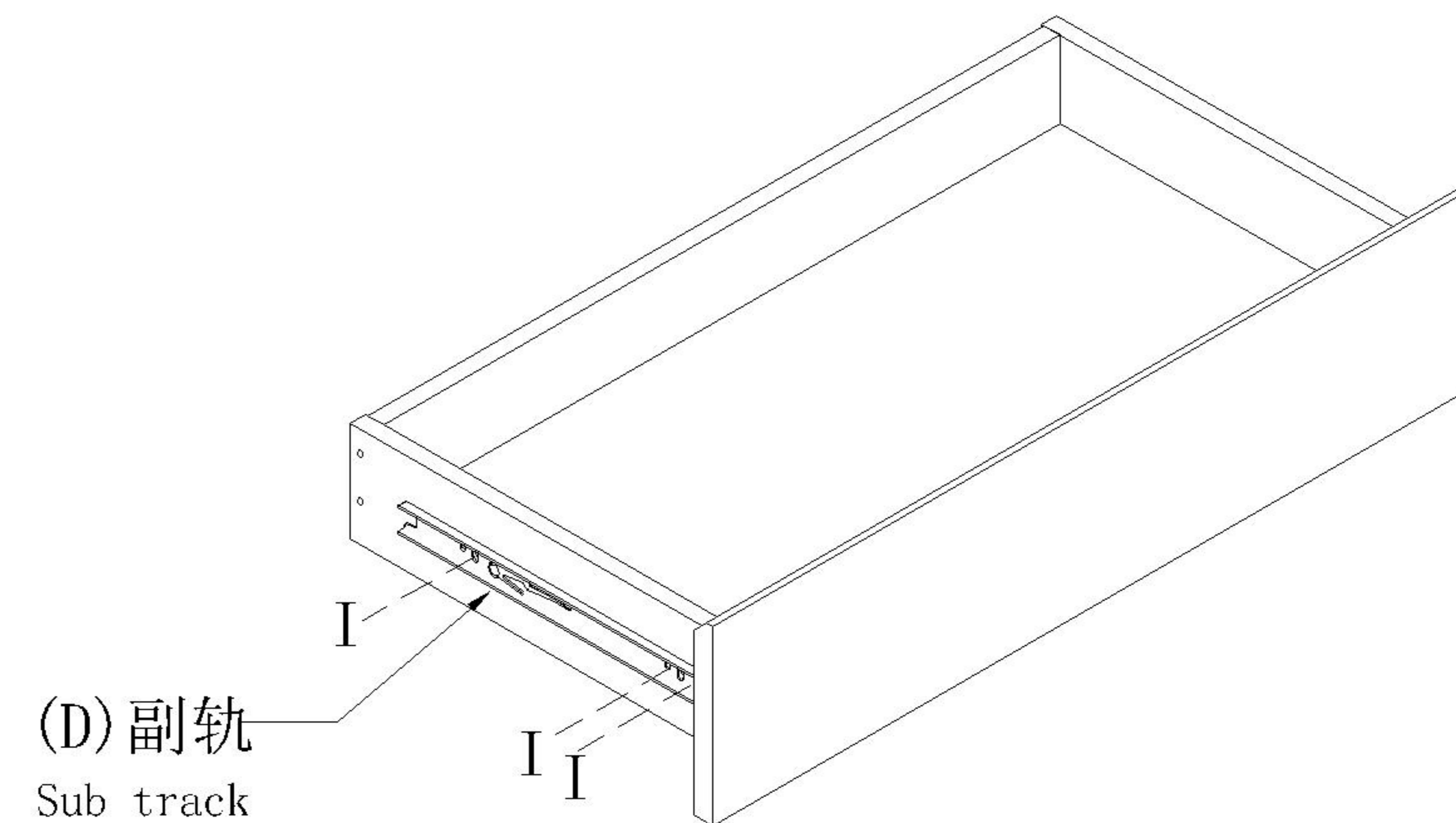
- (E)*8
- (F)*8
- (G)*8
- (H)*8



X2

1

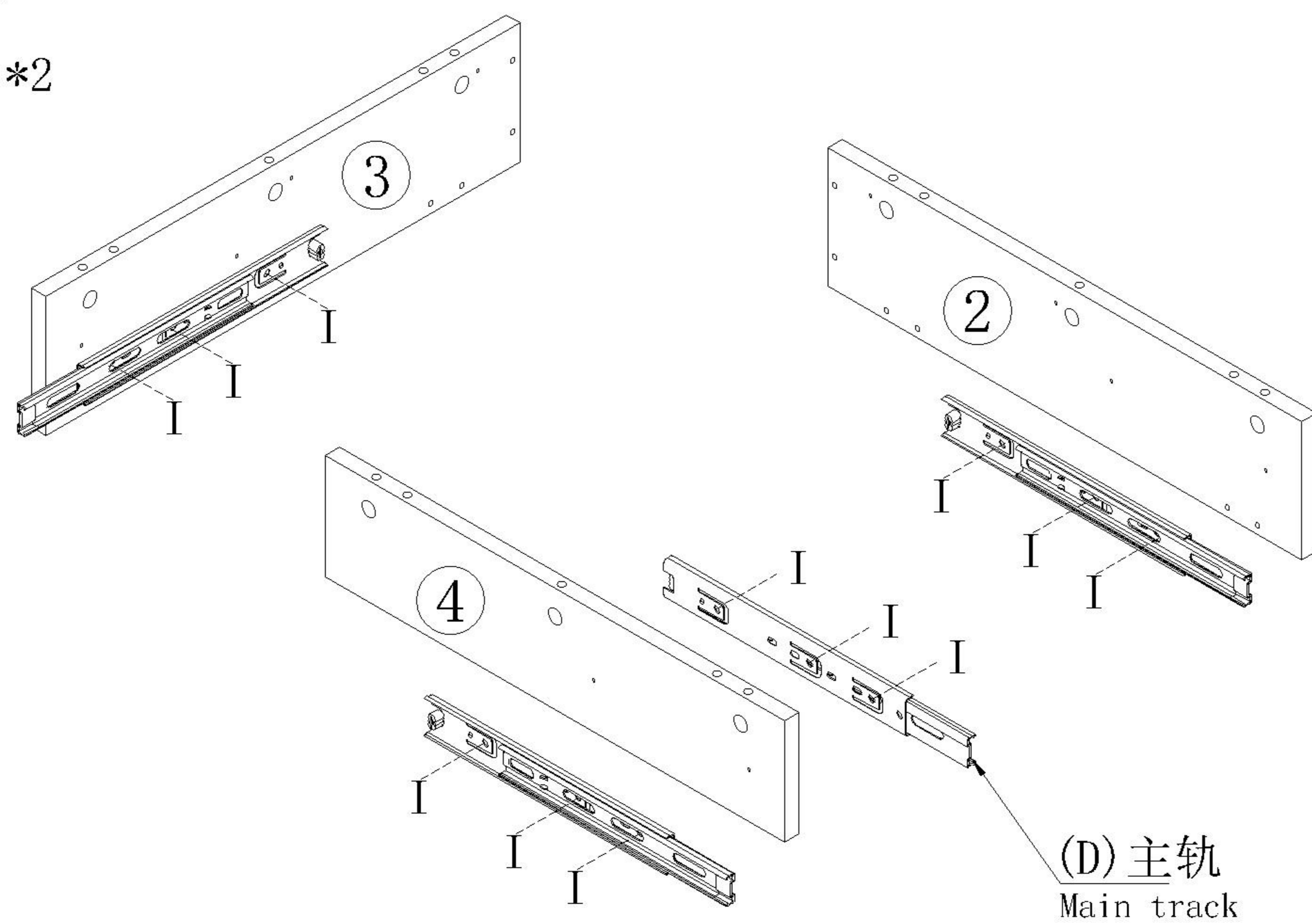
- (D)*2
- (I)*12



X2

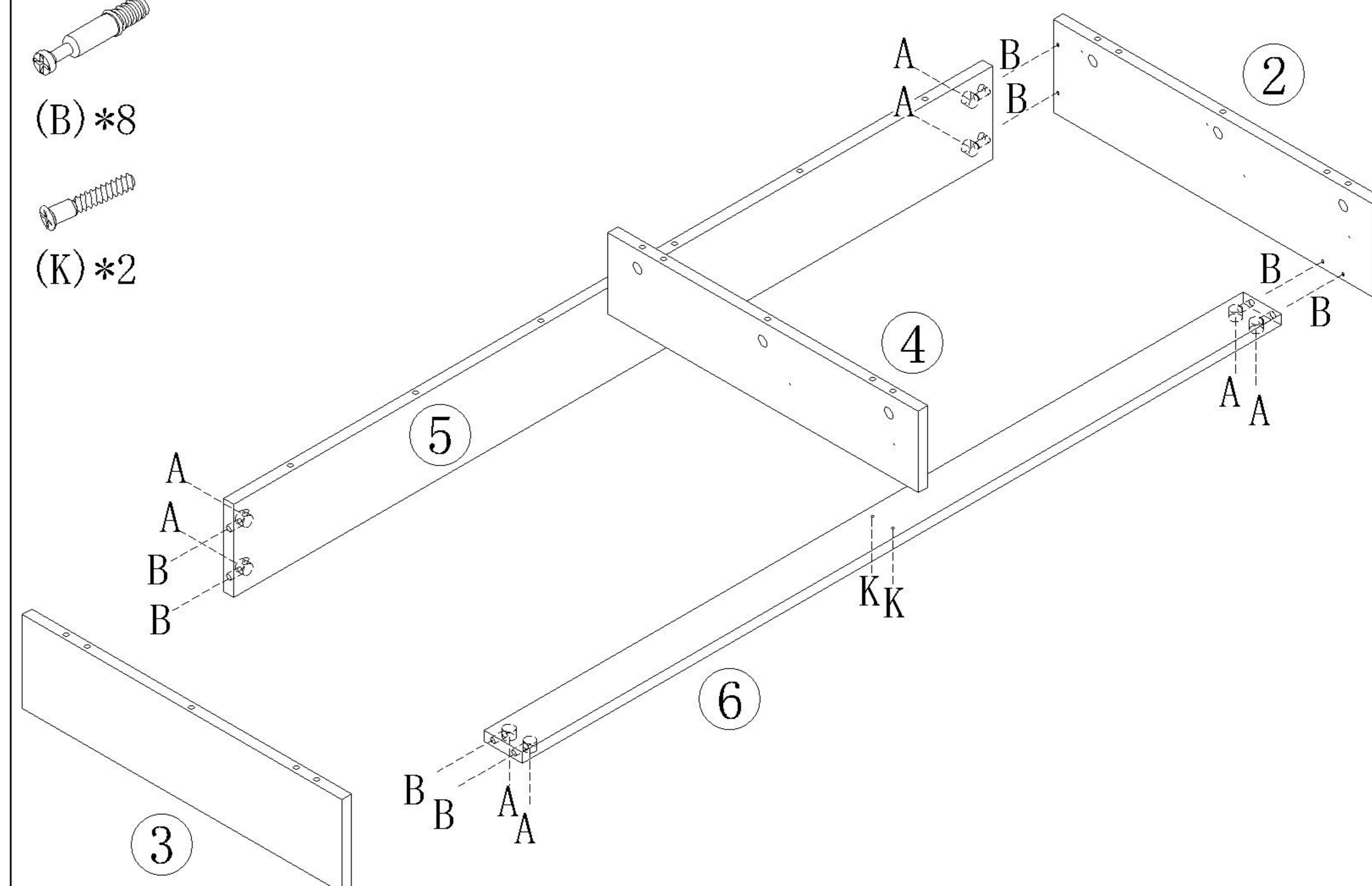
2

- (I)*12
- (D)*2



3

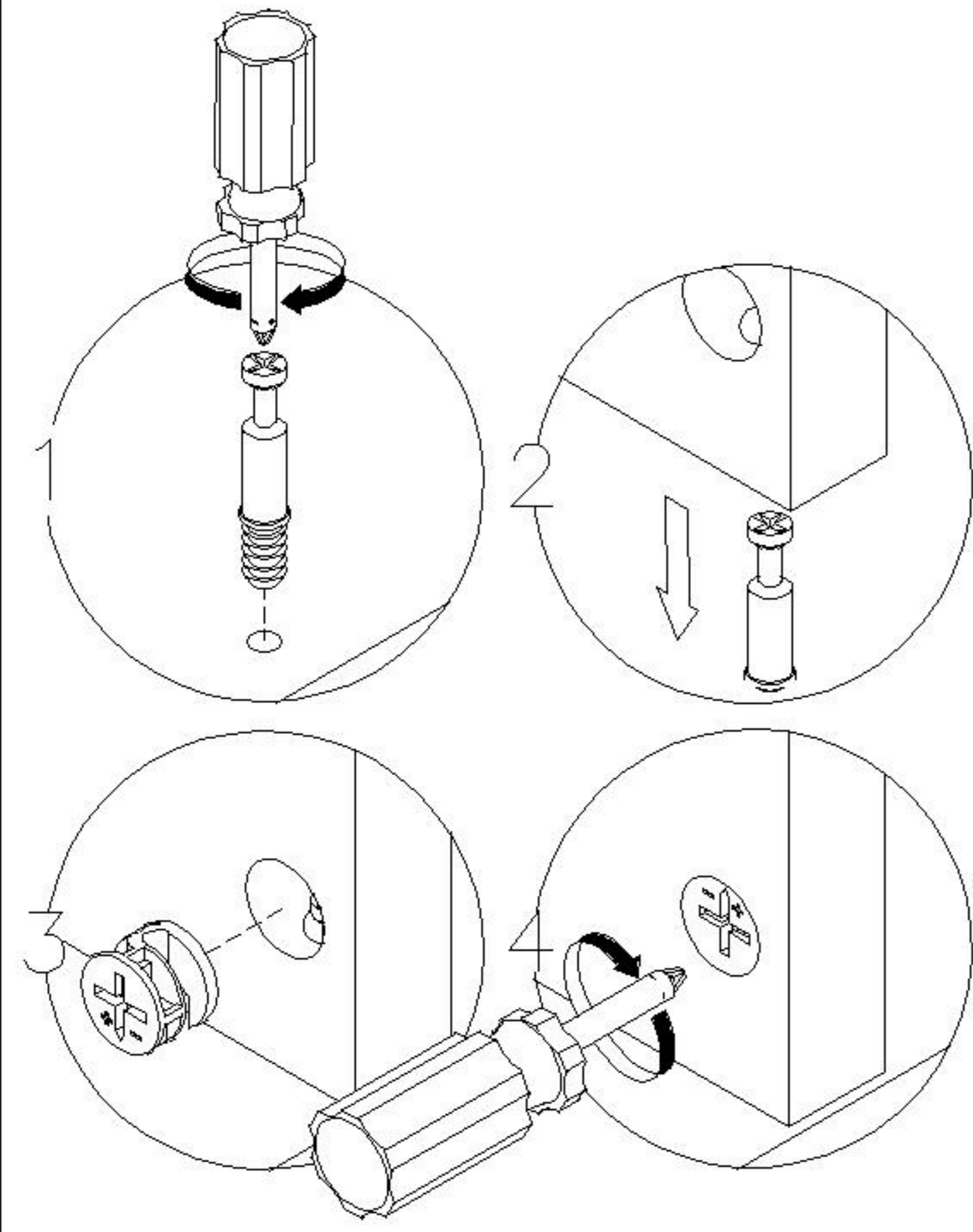
- (A)*8
- (B)*8
- (K)*2



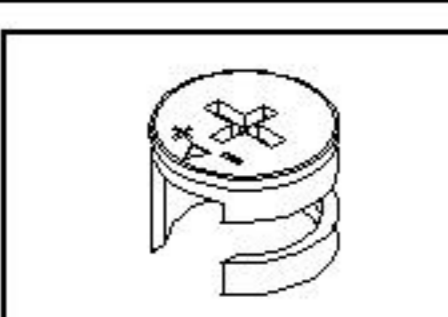
4

TV1V-A

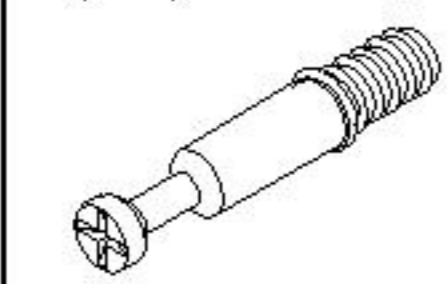
安装方法/
Installation method



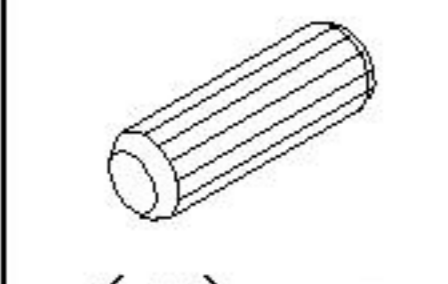
二合一 two-in-one



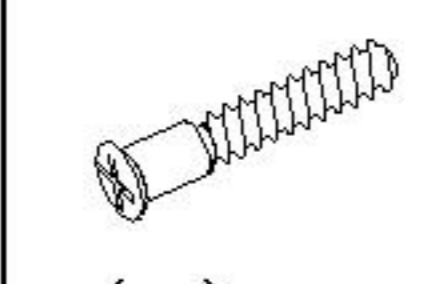
(A)*13



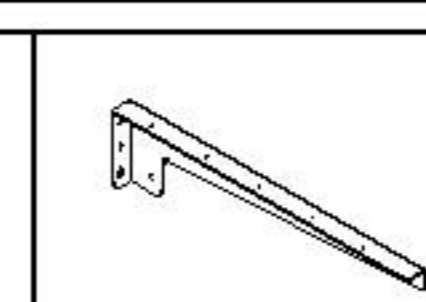
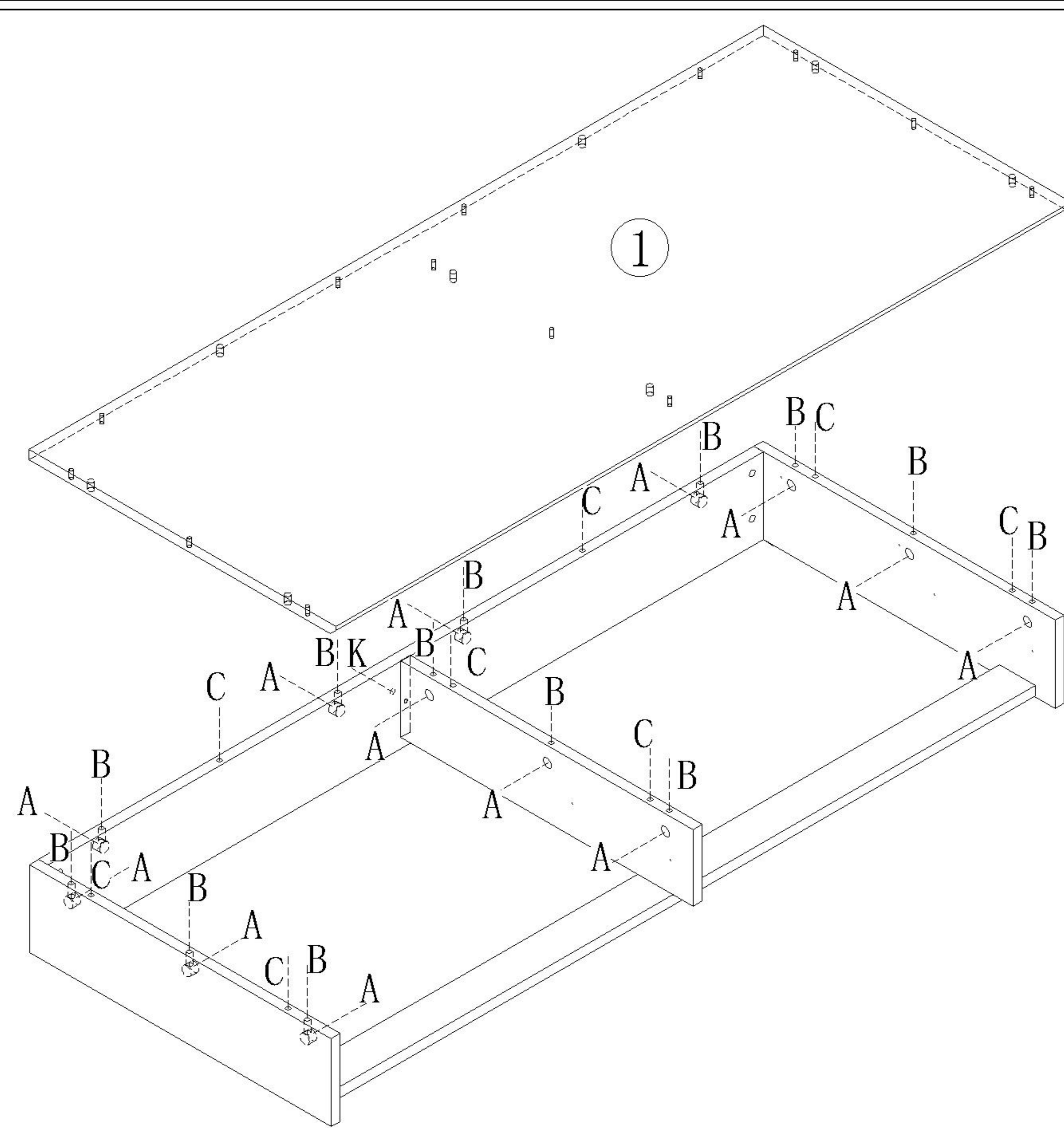
(B)*13



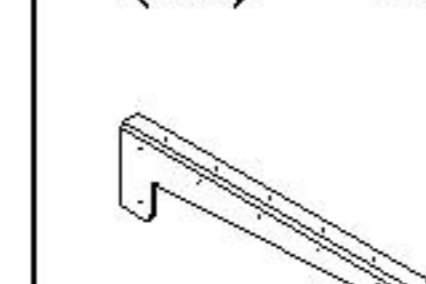
(C)*8



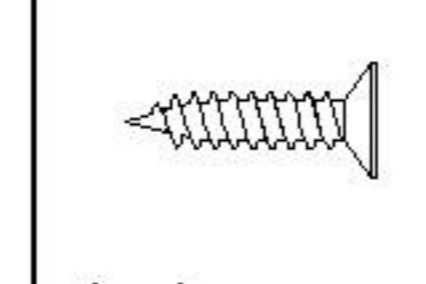
(K)*1



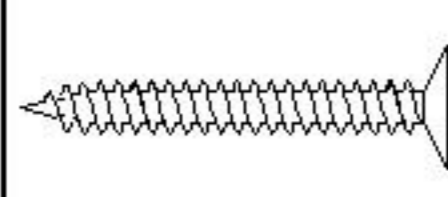
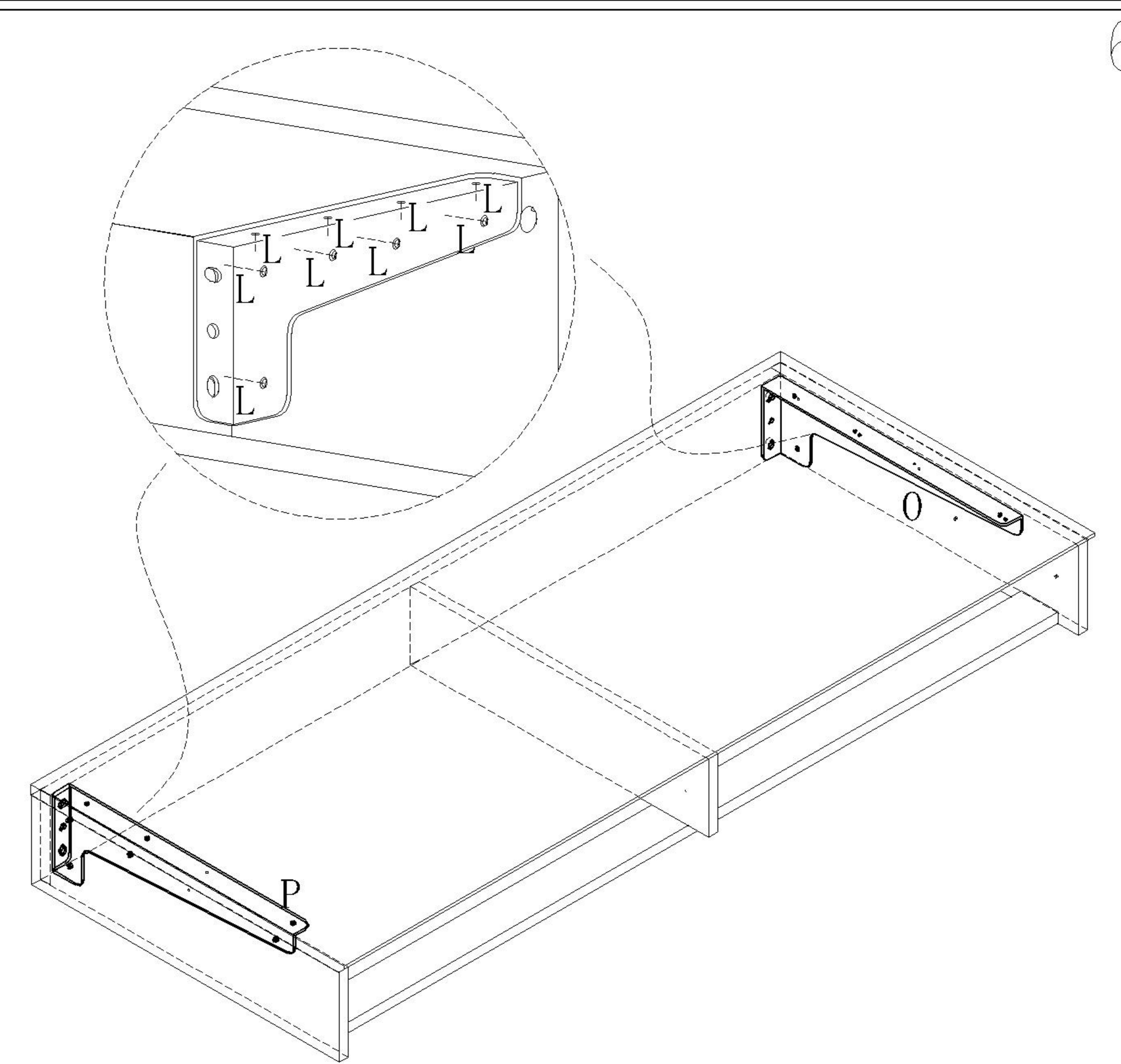
(O)*1



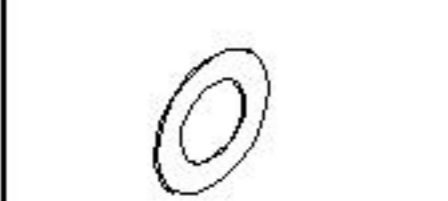
(P)*1



(L)*18



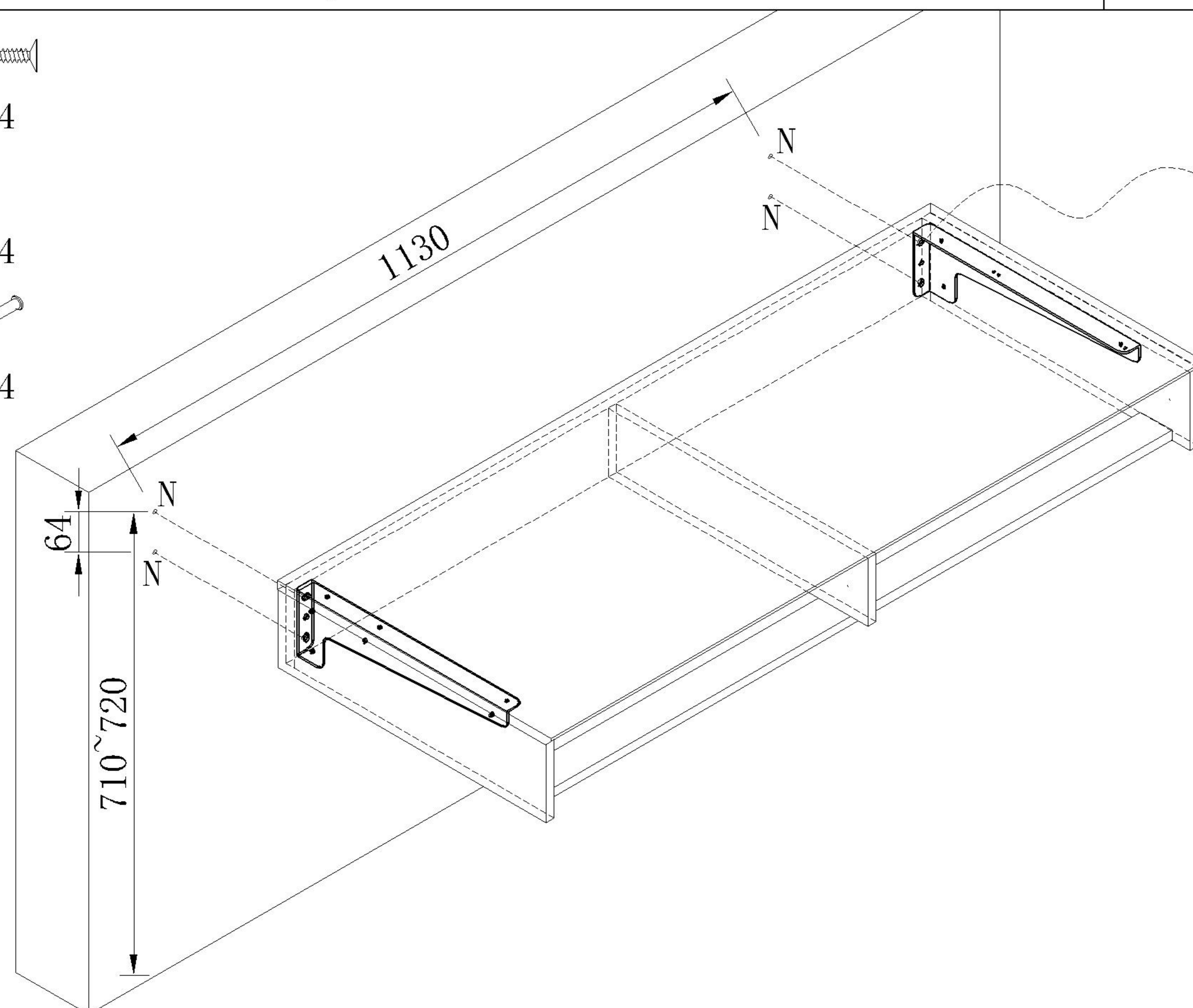
(Q)*4



(M)*4



(N)*4



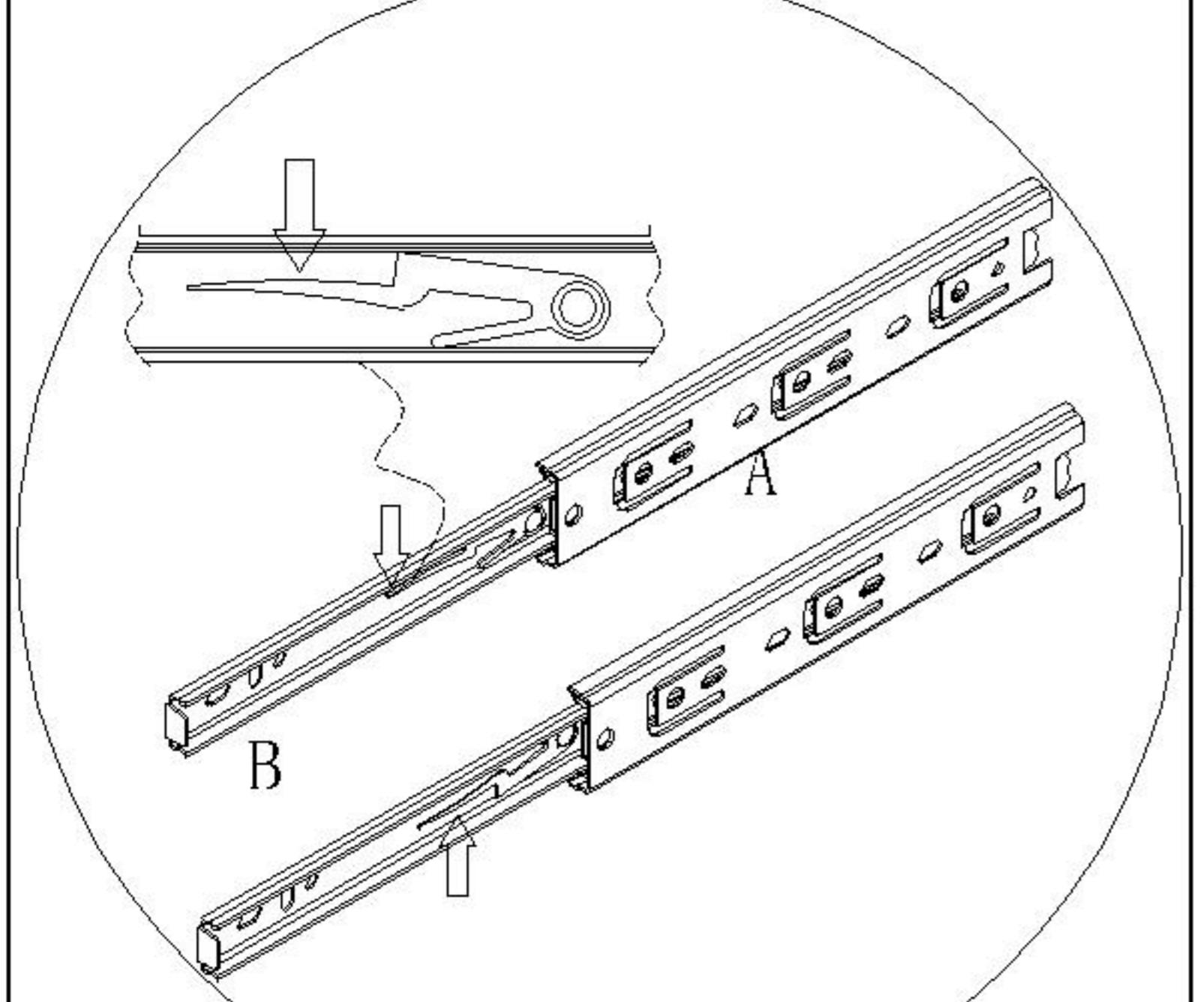
注意：实心墙厚度应不少于120mm，以防打穿
Note: The thickness of the solid wall should not be less than 120mm to prevent penetration

用冲击钻在墙体同一水平位置打 $\phi 8*85$ mm孔，将柜体安装在墙体的合适位置，图为孔之间的距离
Punch $\phi 8*85$ mm holes at the same horizontal position of the wall with the impact drill, and install the cabinet at the appropriate position of the wall. The figure shows the distance between the holes

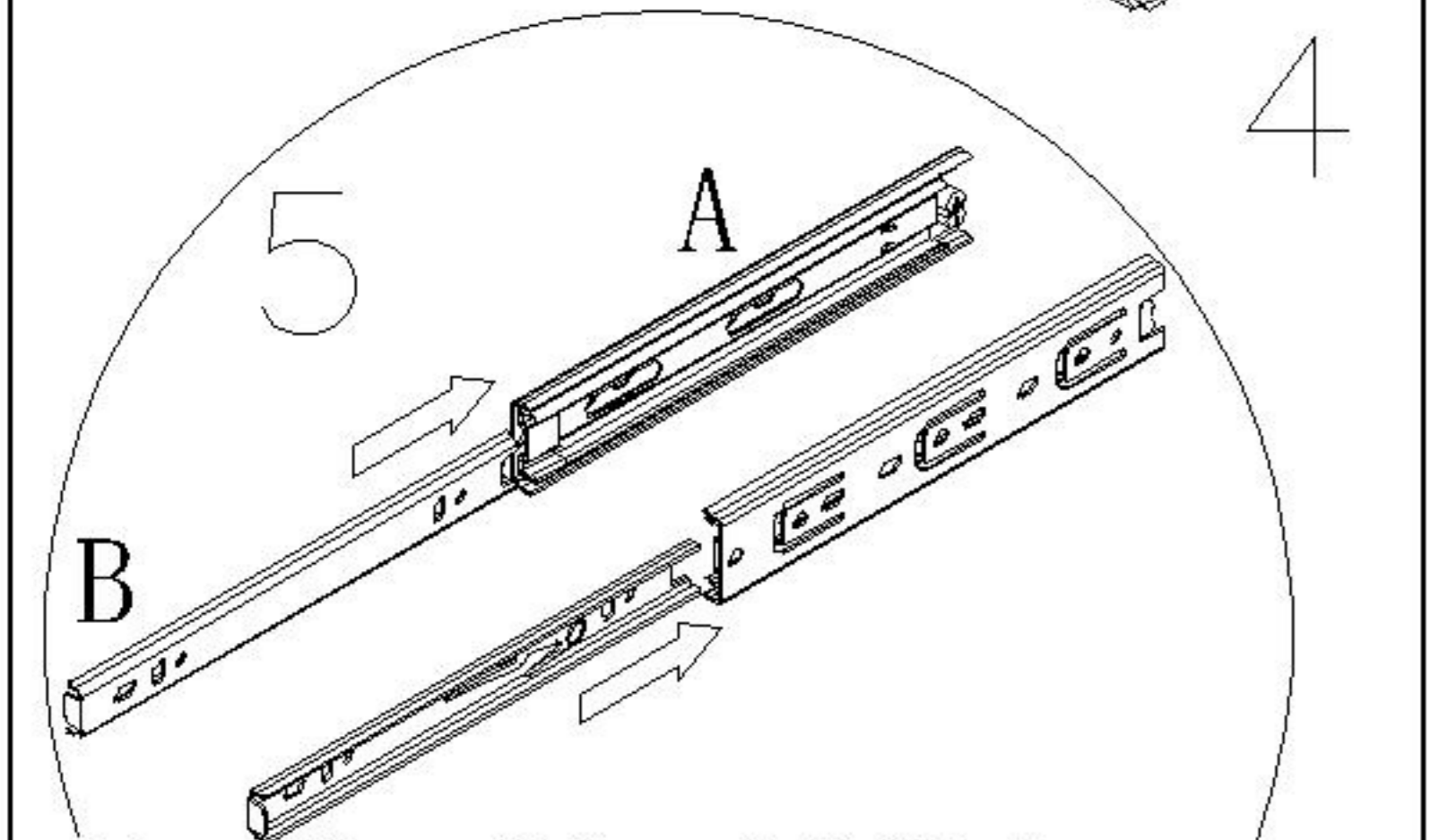
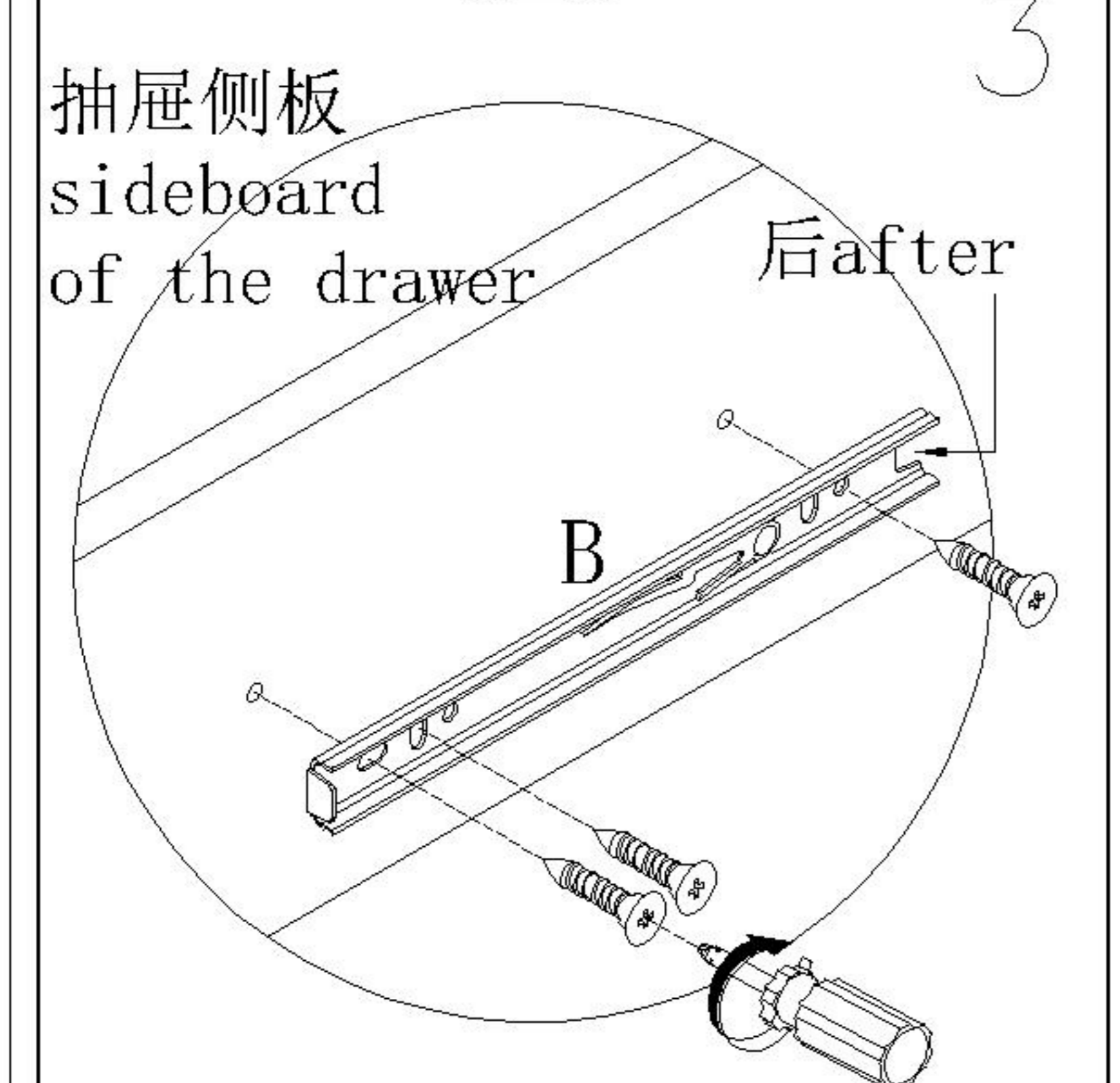
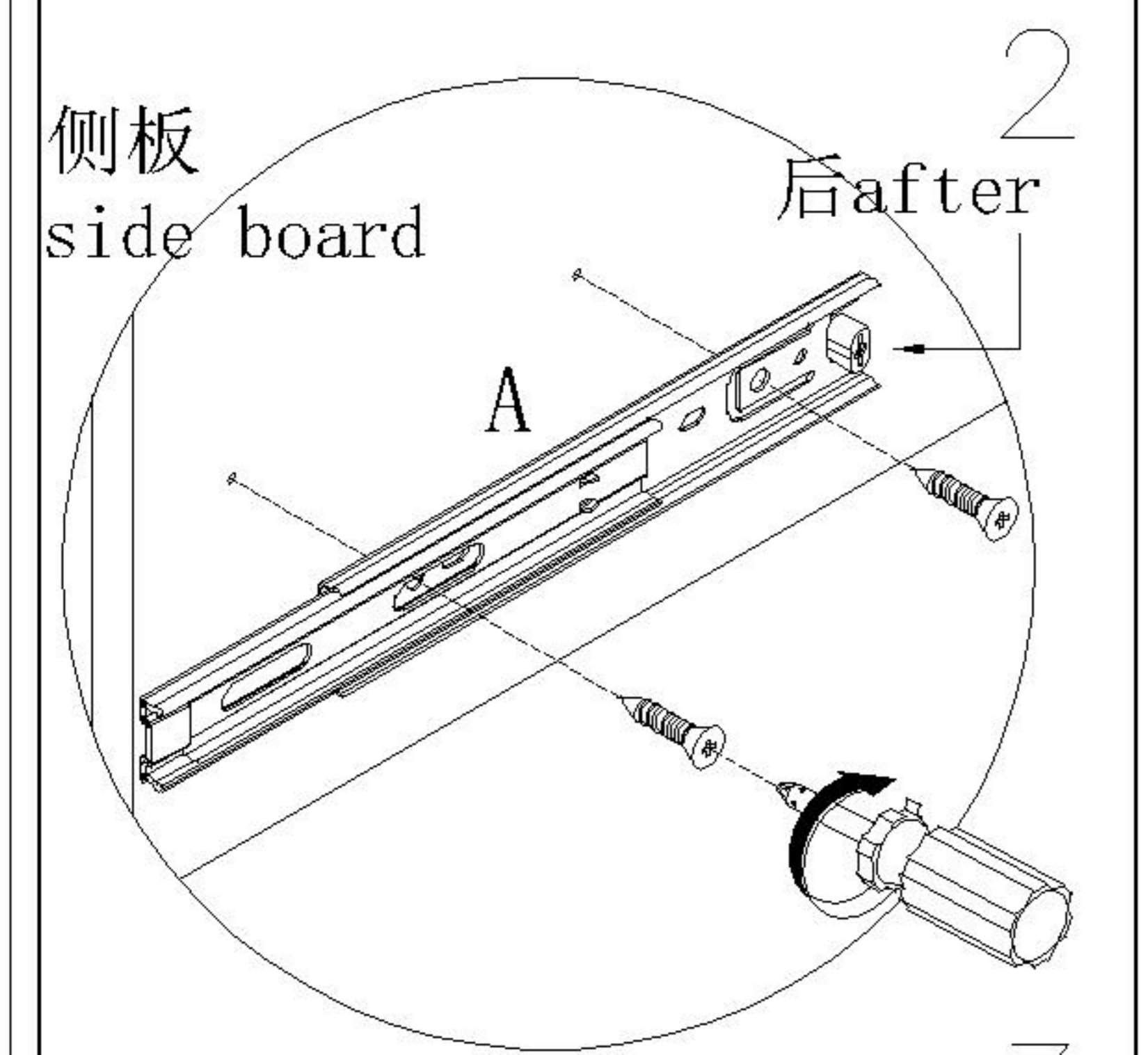
TV1V-A

安装方法/
Installation method

1
阀门开关(下压为开)
Valve switch
(press down to open)



注: 先将A与B拆下来
Note: remove a and B first



注: 将B对准A后推进去
Note: align B with a
and push it in

三节滚珠导轨
three-section ball rail

