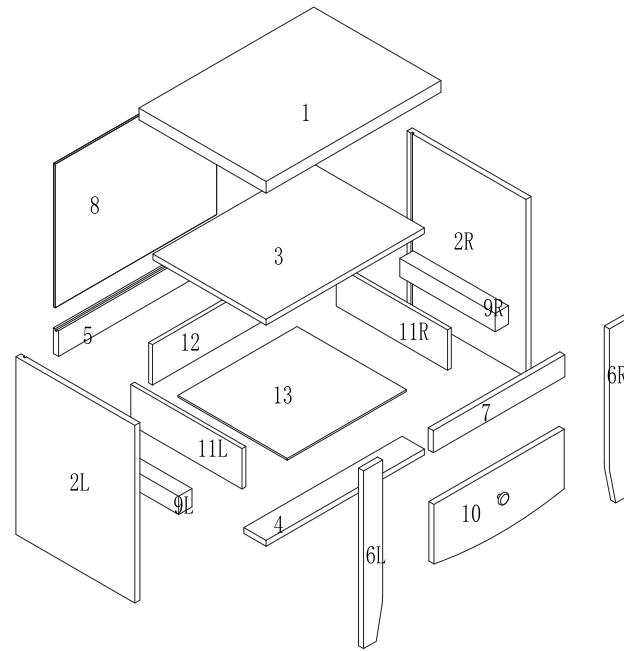
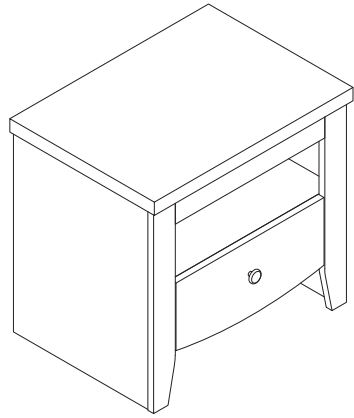


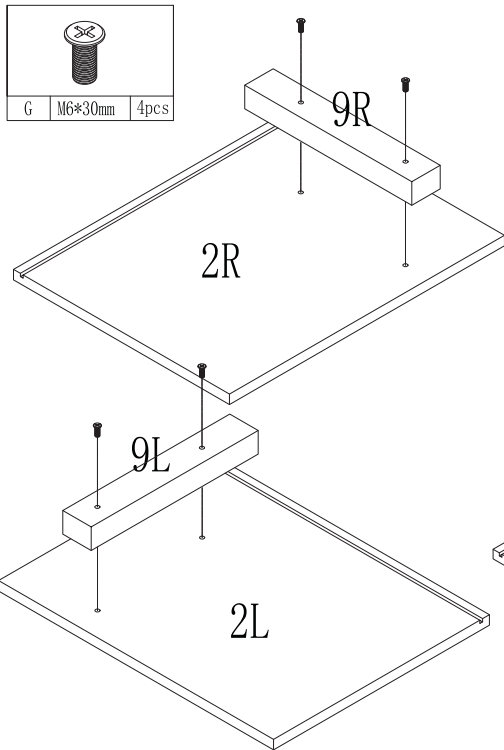
# Assembly Instruction



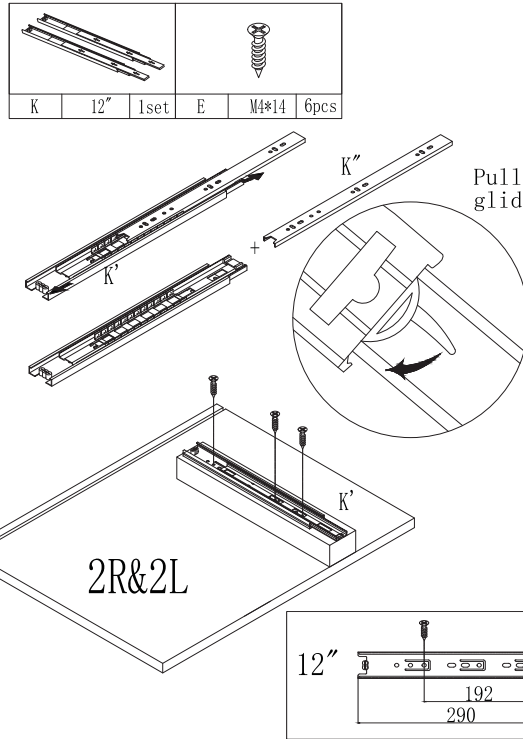
NO.	SIZE	QTY
1	550*400*32	1
2	487*374*16	2
3	498*356*16	1
4	498*70*16	1
5	498*70*16	1
6	484*60*16	2
7	414*60*16	1
8	508*391*5	1
9	300*50*42	2
10	410*182*16	1
11	350*110*12	2
12	365*110*12	1
13	375*344*5	1

A M6*40 18pcs	B $\phi 15 \times 11.5$ 18pcs	C $\phi 8 \times 30$ 20pcs
D $\phi 12 \times 10$ mm 4set	E M4*14 12pcs	F M4*30 4pcs
G M6*30mm 4pcs	J / 1pcs	I M4*20mm 1pcs
K 12" 1set	L / 4pcs	Z $\phi 20$ 18pcs

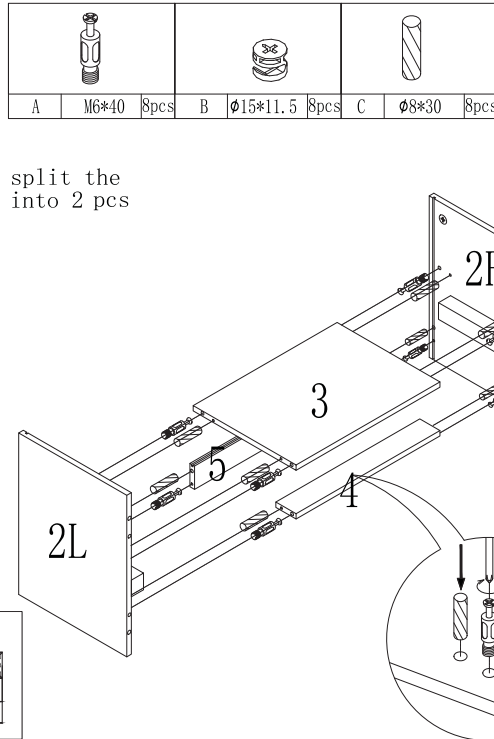
STEP 1:



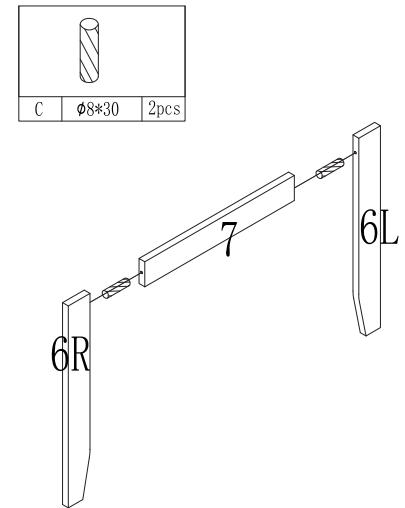
STEP 2:






STEP 3:

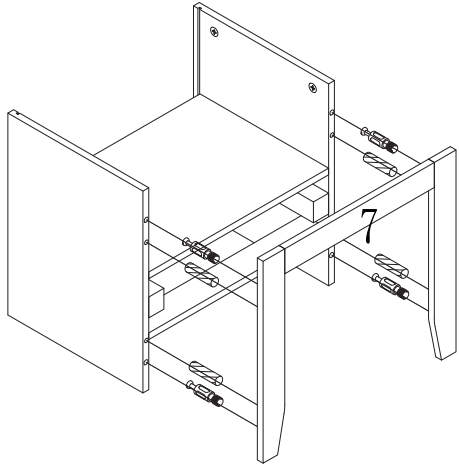


STEP 4:






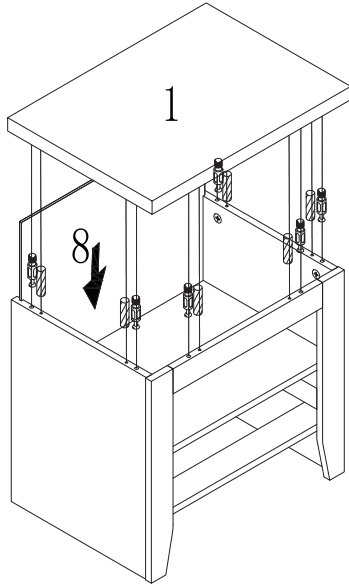
STEP 5:

		
A M6*40 4pcs	B $\phi 15 \times 11.5$ 4pcs	C $\phi 8 \times 30$ 4pcs









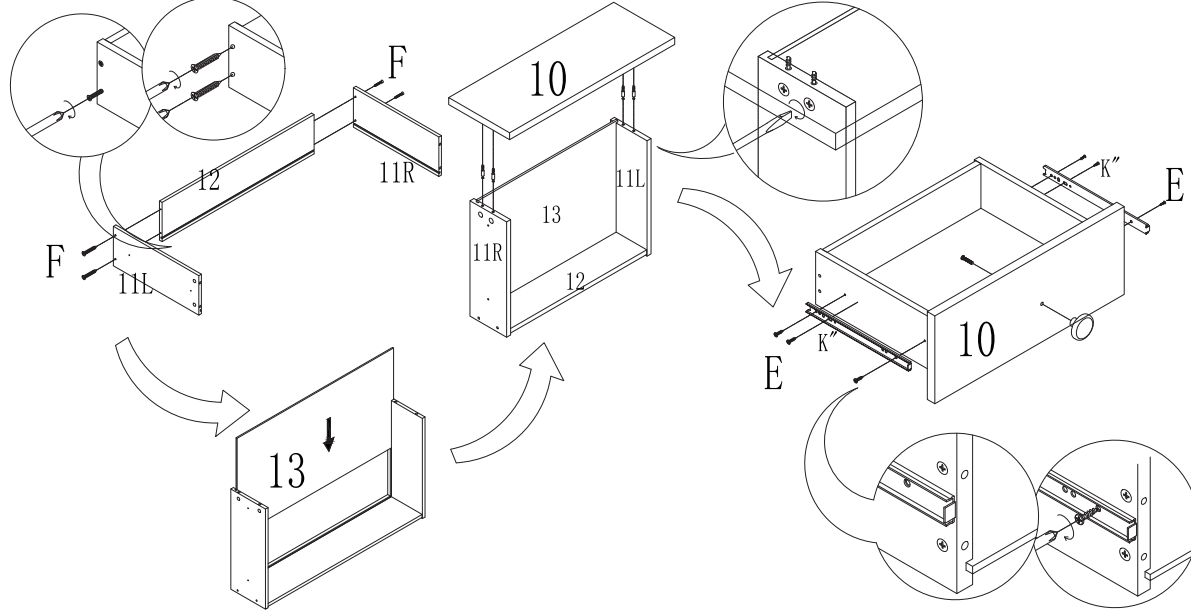
STEP 6:

		
A M6*40 6pcs	B $\phi 15 \times 11.5$ 6pcs	C $\phi 8 \times 30$ 6pcs




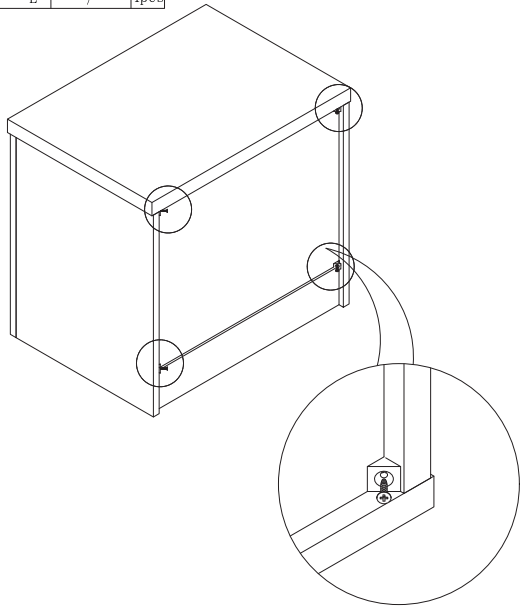
STEP 7:

					
D $\phi 12 \times 10$ 4set	E M4*14 6pcs	F M4*30 4pcs	K 12" 1set	J / 1pcs	I M4*20mm 1pcs

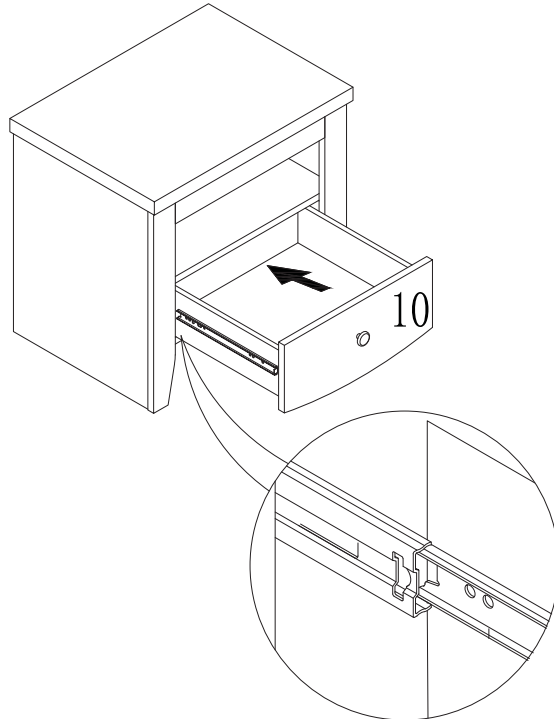


STEP 8:


	L / 4pcs
---	----------



STEP 9:



STEP 10:

	Z $\phi 20$ 18pcs
---	-------------------

