

LINSY 林氏家居

五金表/Hardware list

部件表/Parts List

安装示意图/Assembly Instruction

产品名称 Model NO.

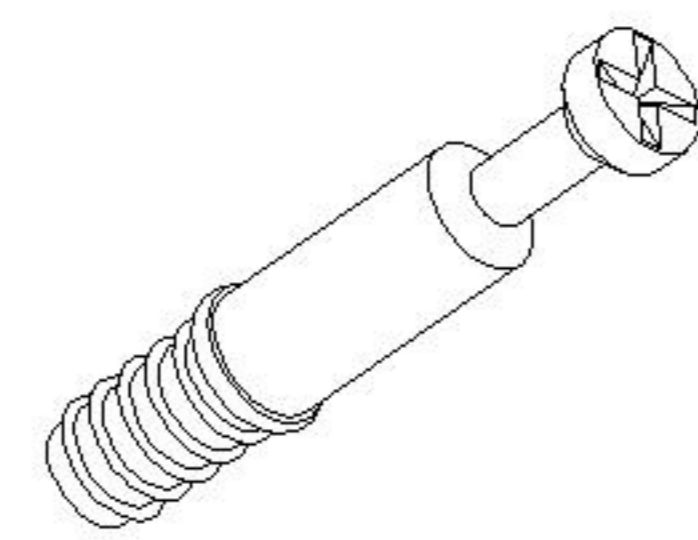
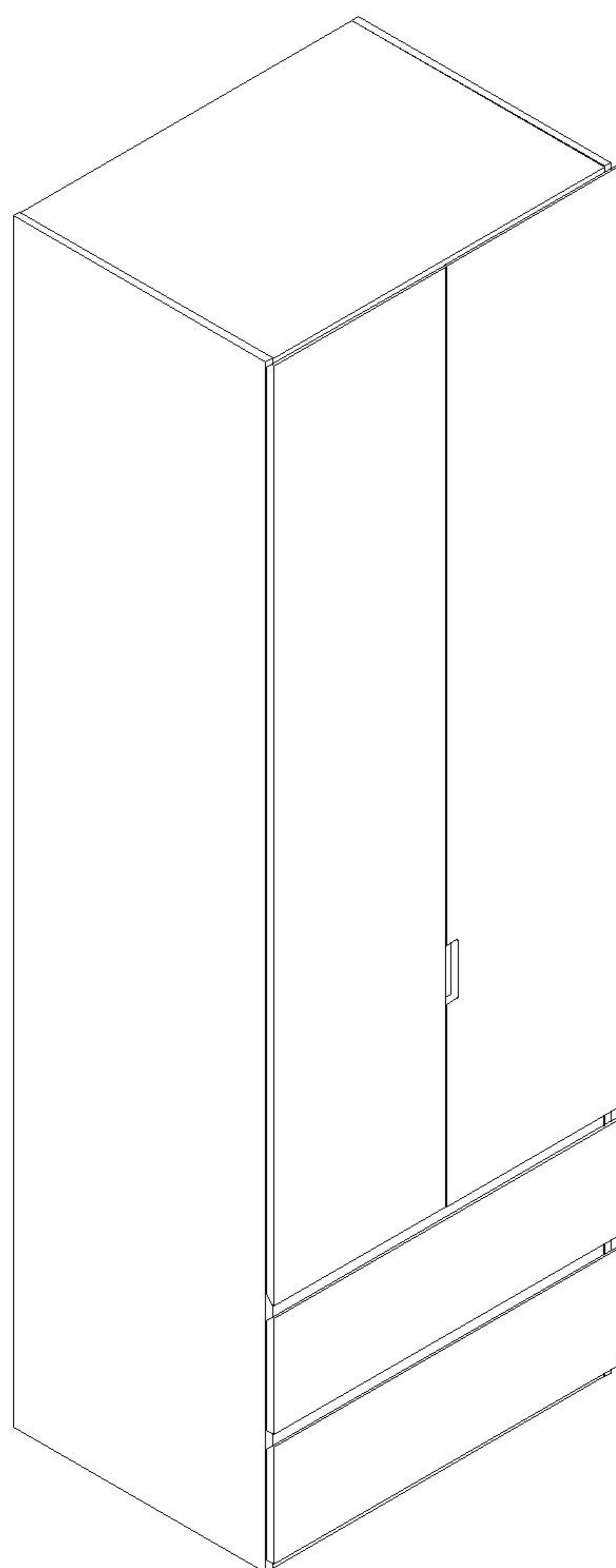
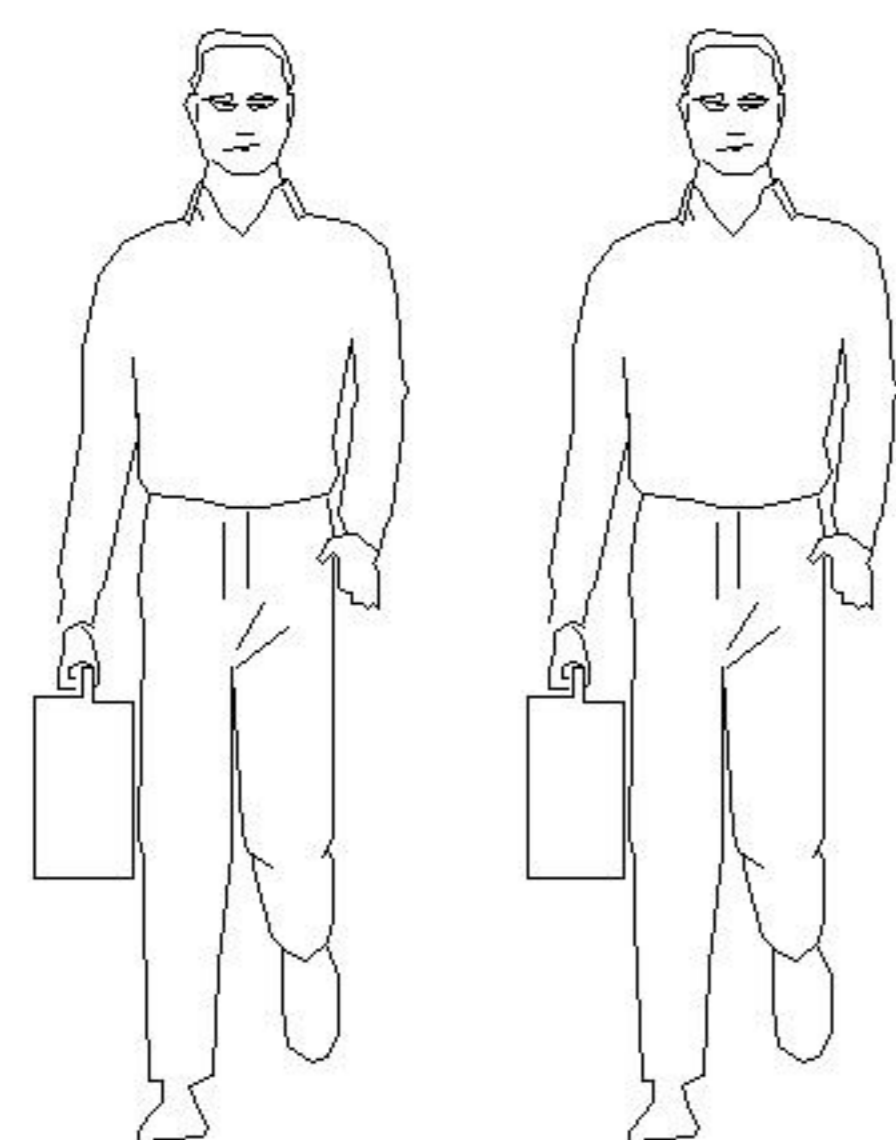
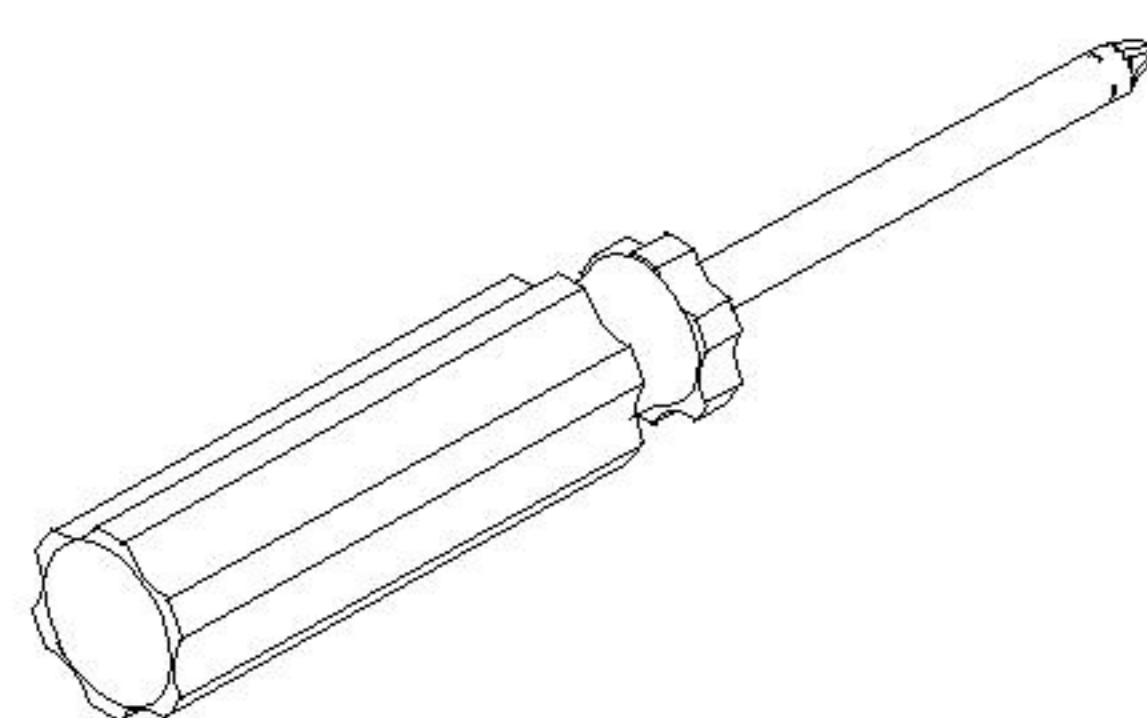
TR5D-A 两门衣柜 (带抽)

产品规格 Specification

796*600*2423MM

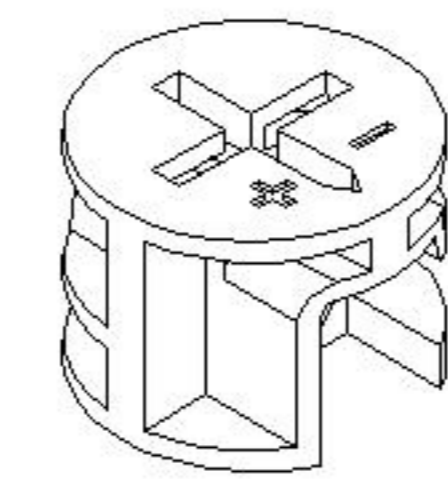
安装工具 Tool

安装人数 Installer



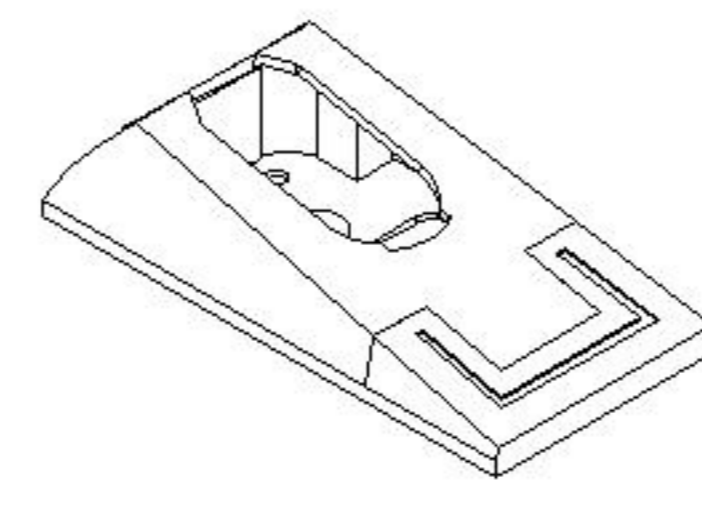
(A)*63

二合一螺杆
2-in-1-screw



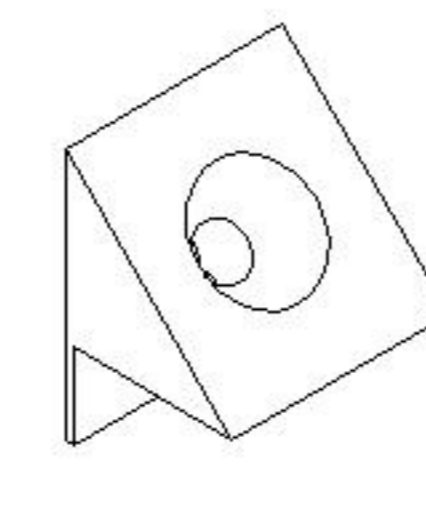
(B)*63

大三合一锁饼
3-in-1 large lock



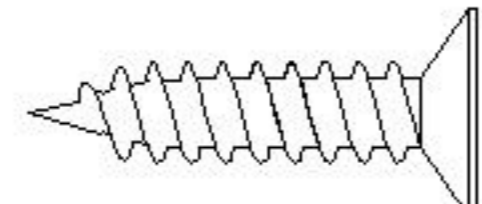
(C)*2

挂衣托
Clothes hanger



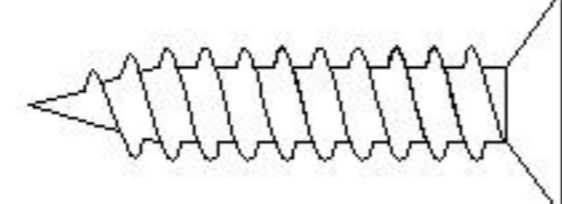
(D)*6

背板扣
White buckle



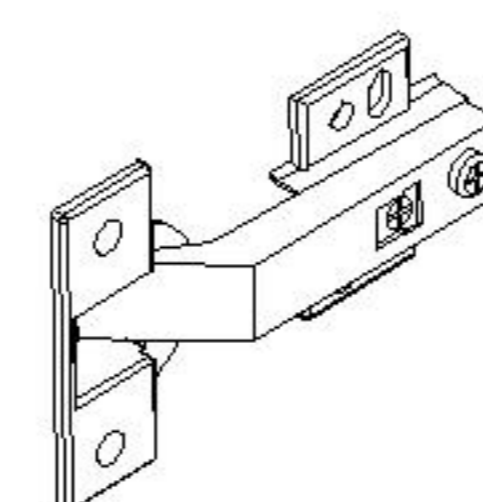
(E)*38

白攻螺丝M3.5*12mm
Tapping screw



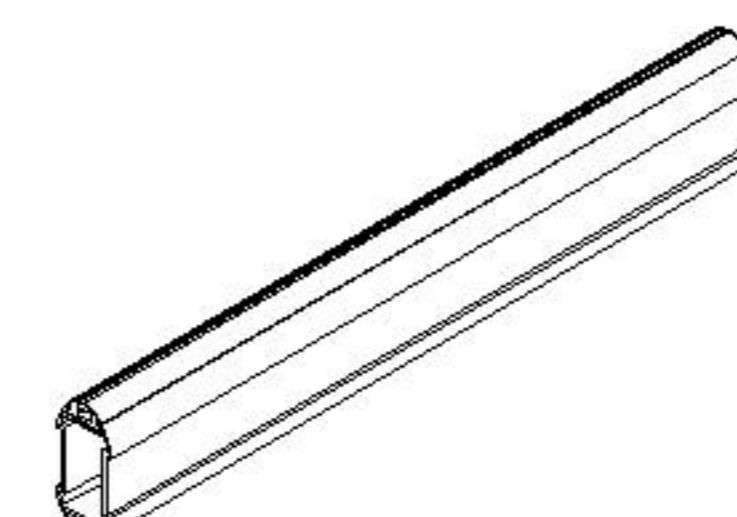
(F)*6

白攻螺丝M3.5*16mm
Tapping screw



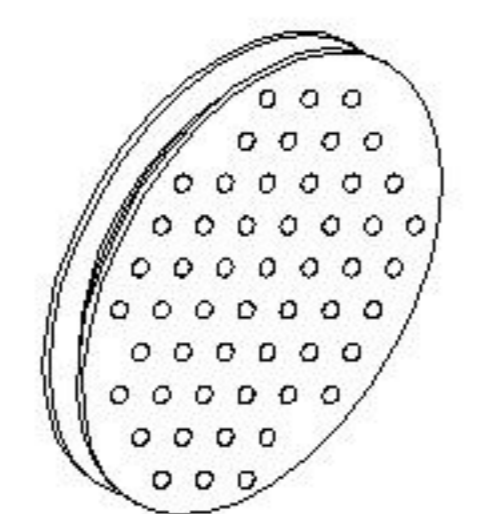
(G)*8

缓冲门铰直弯-杯035
Straight bend hinge



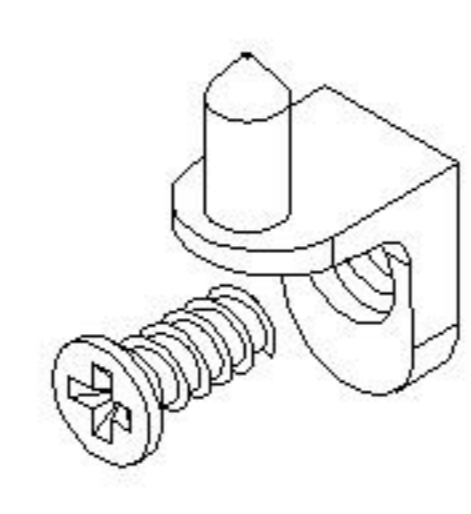
(H)*1

挂衣杆-L=758mm
Clothes hanging rod



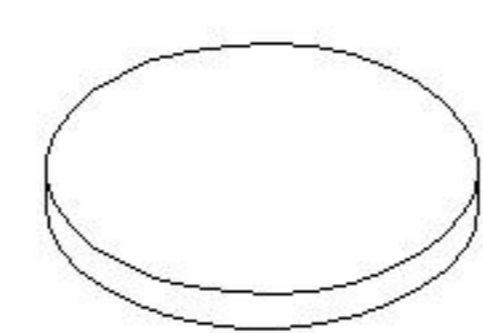
(I)*1

透气孔盖-白色
Vent cover - white



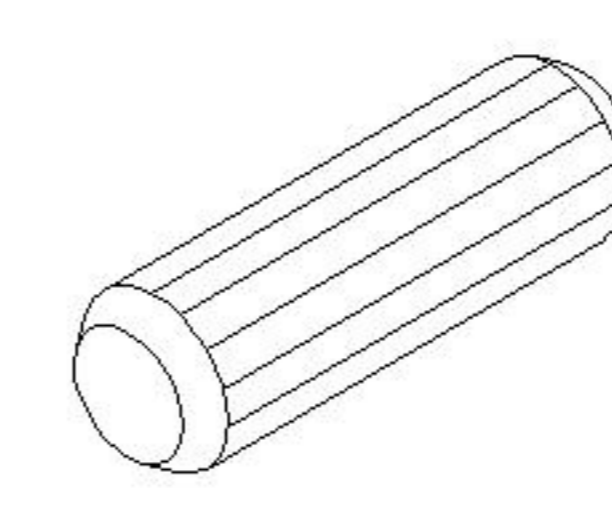
(J)*8

层板托5mm
shelf support



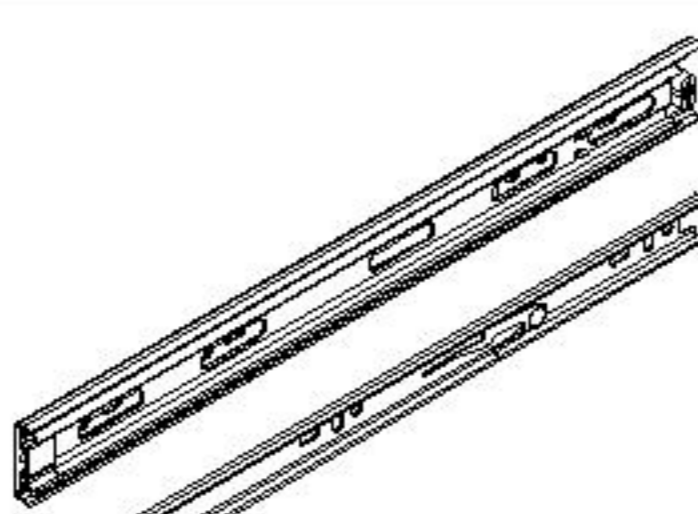
(K)*8

灰色毛毡垫
Foot pad



(L)*13

木榫Ø8x30mm
Wood tenon



(M)*2

三节滚珠导轨14"
Three-section rail



(N)*2

小角码-(14*21*1.5mm)
Small bracket

编号NO.

名称Name

规格 (mm)
Specification

数量QTY

材质Material

1

顶板Top board

766*582*15

1

人造板 WBP

2

底板Bottom board

766*582*15

1

人造板 WBP

3

前脚条Front foot strip

766*58*15

2

人造板 WBP

4

右侧板Side board(R)

2420*582*15

1

人造板 WBP

5

左侧板Side board(L)

2420*582*15

1

人造板 WBP

6

背拉条Back brace

2331*101*15

2

人造板 WBP

7

背板Back board

2341*575*5

1

人造板 WBP

8

活动层板Movable shelf

765*560*15

2

人造板 WBP

9

拉条Brace

766*58*15

2

人造板 WBP

10

左门板Door board(L)

1879*395*18

1

人造板 WBP

11

右门板Door board(R)

1879*395*18

1

人造板+五金
WBP+Hardware

12

抽屉面板Drawer's top panel

792*233*18

2

人造板 WBP

13

抽屉侧板Drawer's sideboard

395*142*15

4

人造板 WBP

14

抽屉后板Drawer's Back board

740*142*15

2

人造板 WBP

15

抽屉底板Drawer's Bottom board

720*405*5

2

人造板 WBP

16

抽屉底托条Drawer's bottom bracket

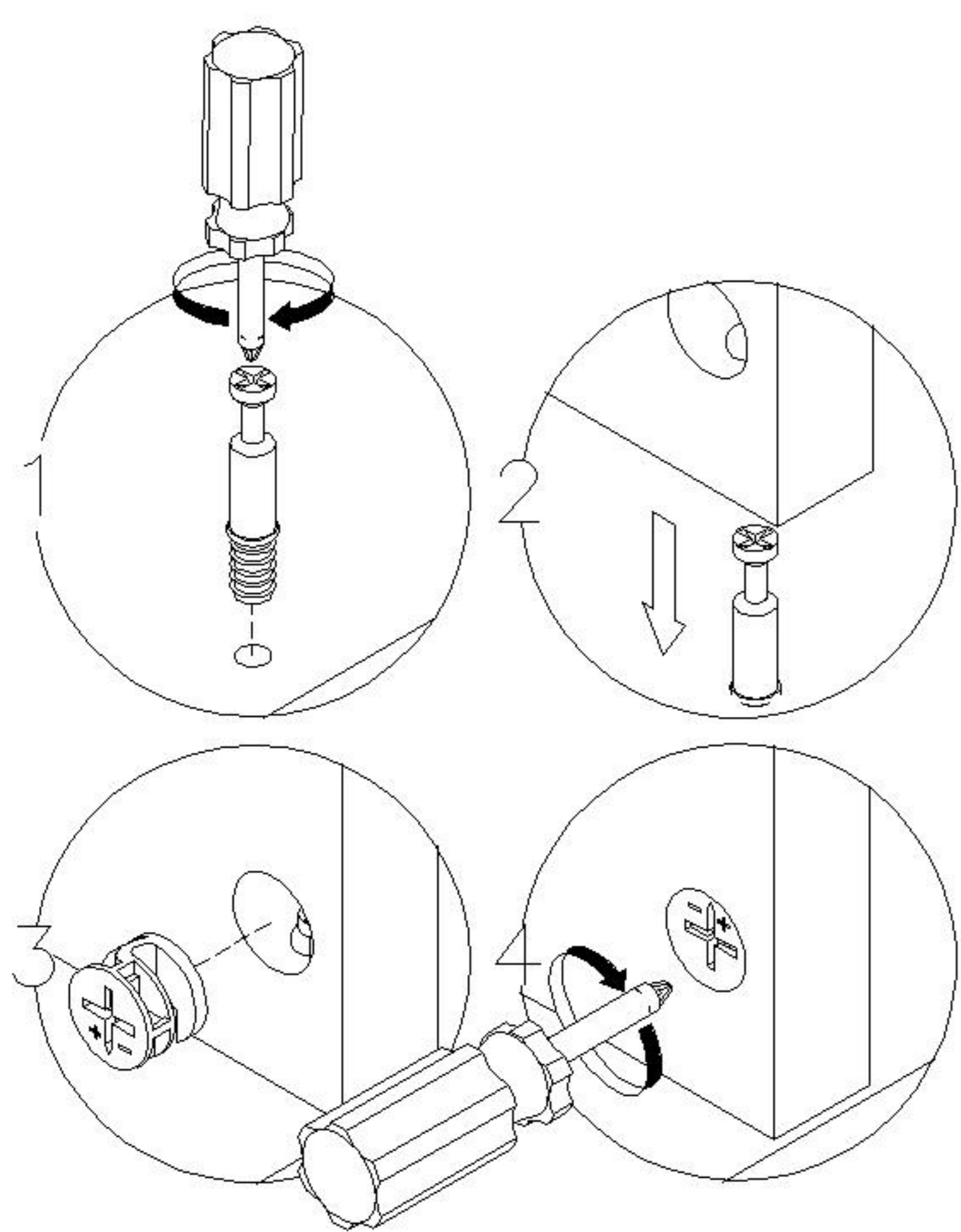
395*58*15

2

人造板 WBP

安装方法

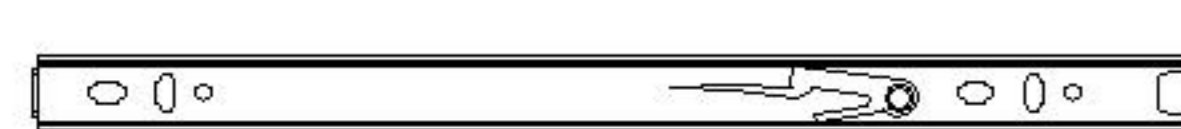
Installation method



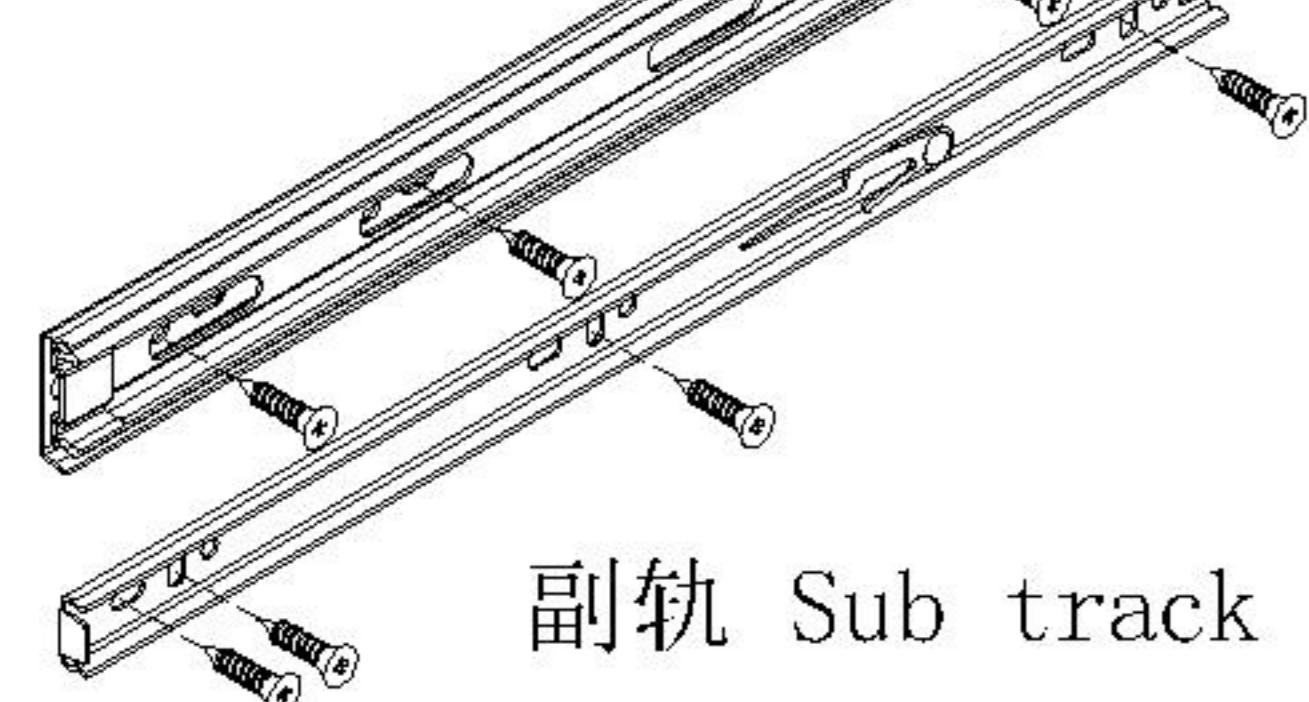
二合一 two-in-one

阀门开关 (下压为开)
Valve switch (press down to open)

前 Forward ↓ 后 Back

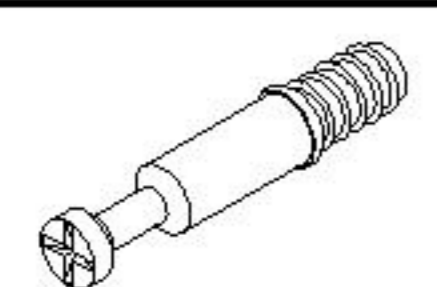


主轨 Main track

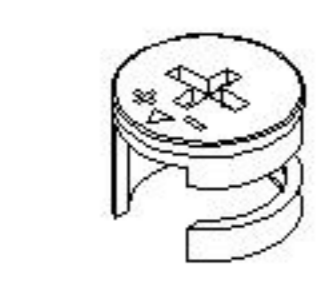


副轨 Sub track

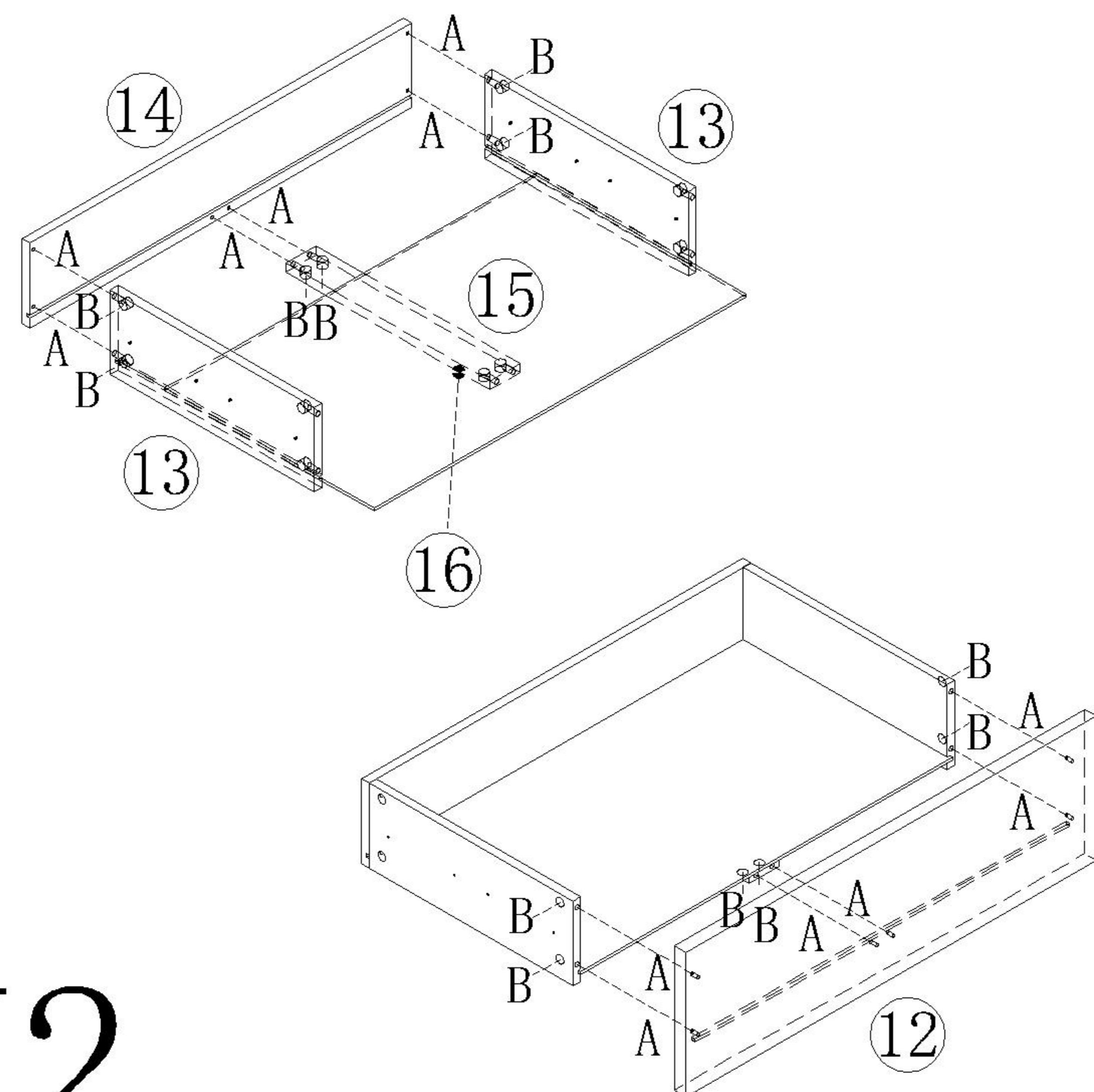
三节滚珠导轨-14"



(A)*24

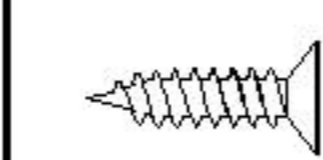


(B)*24



X2

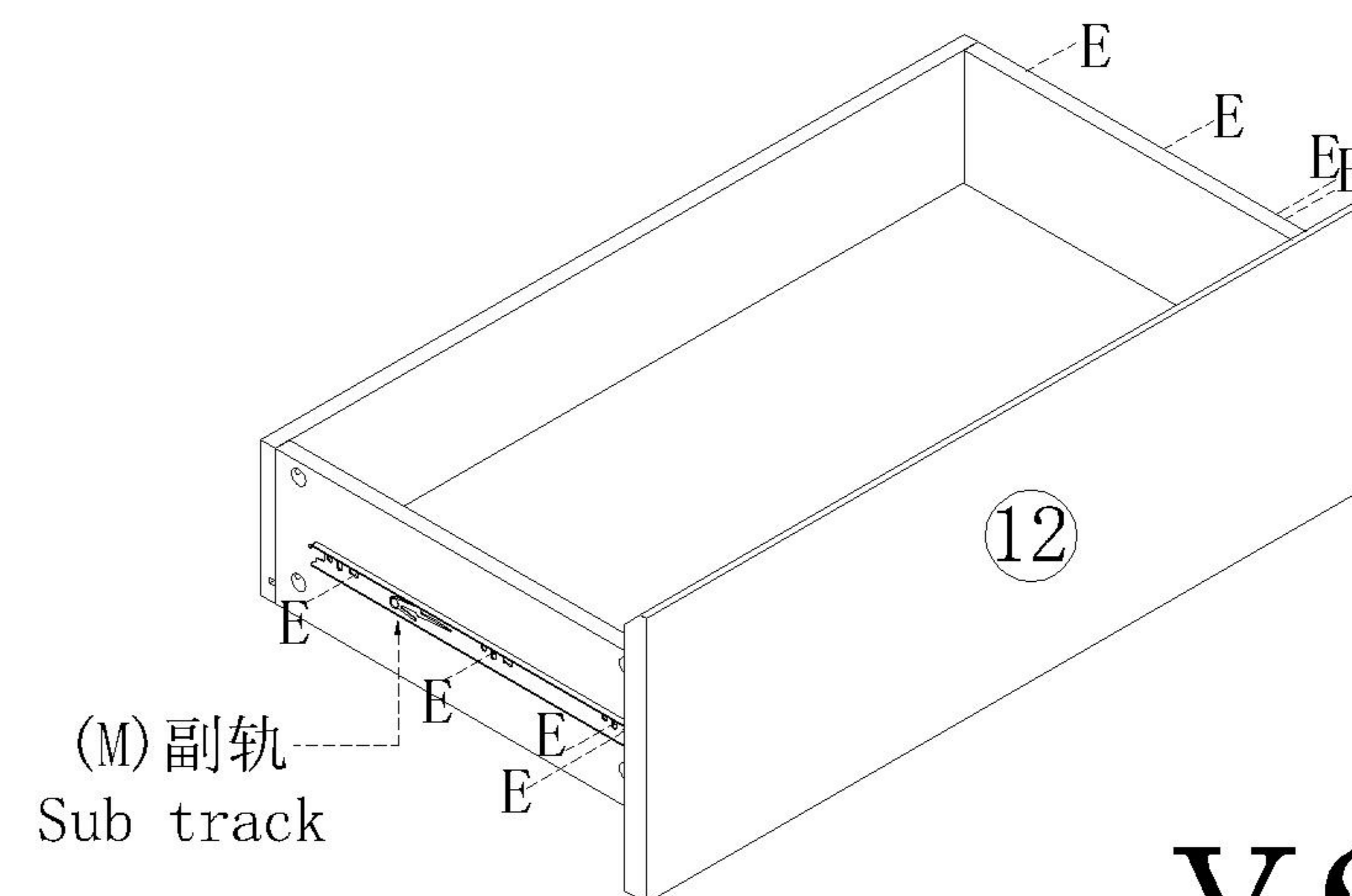
1



(E)*16



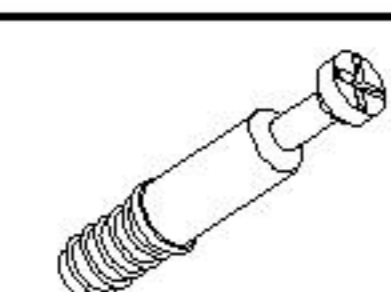
(M)*2



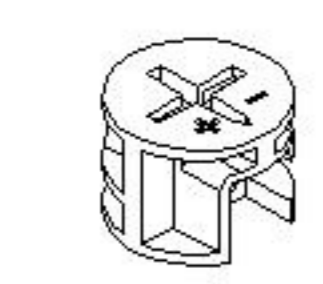
(M) 副轨
Sub track

X2

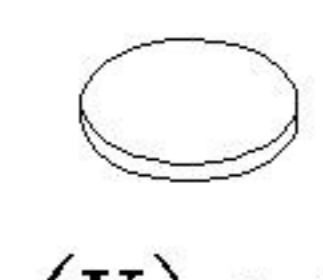
2



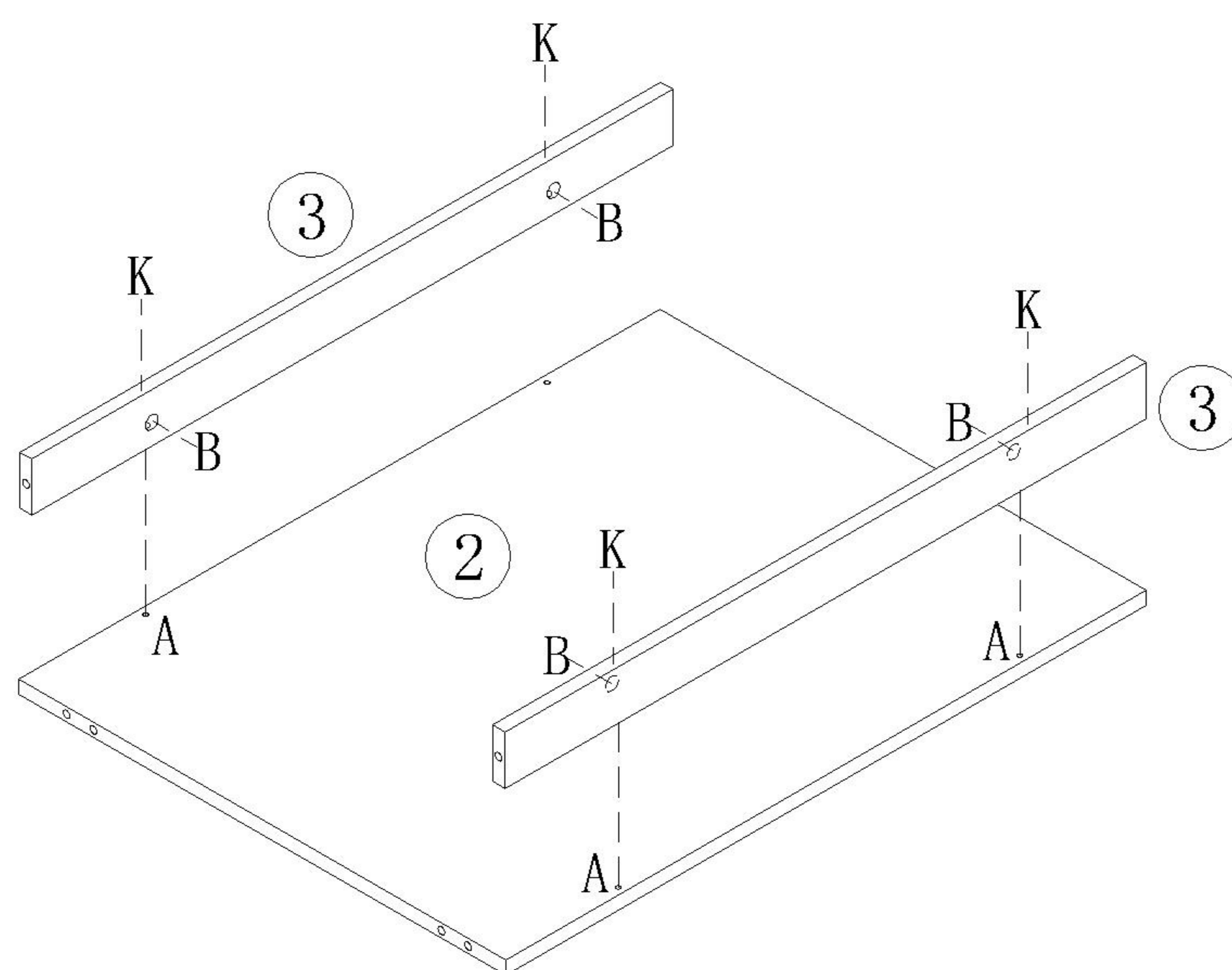
(A)*4



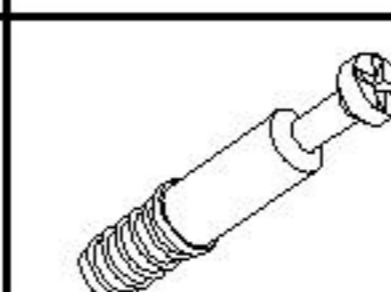
(B)*4



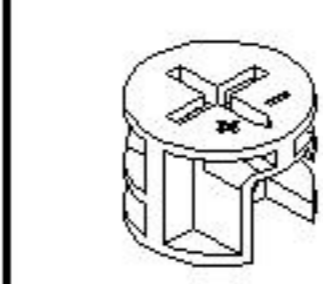
(K)*4



3



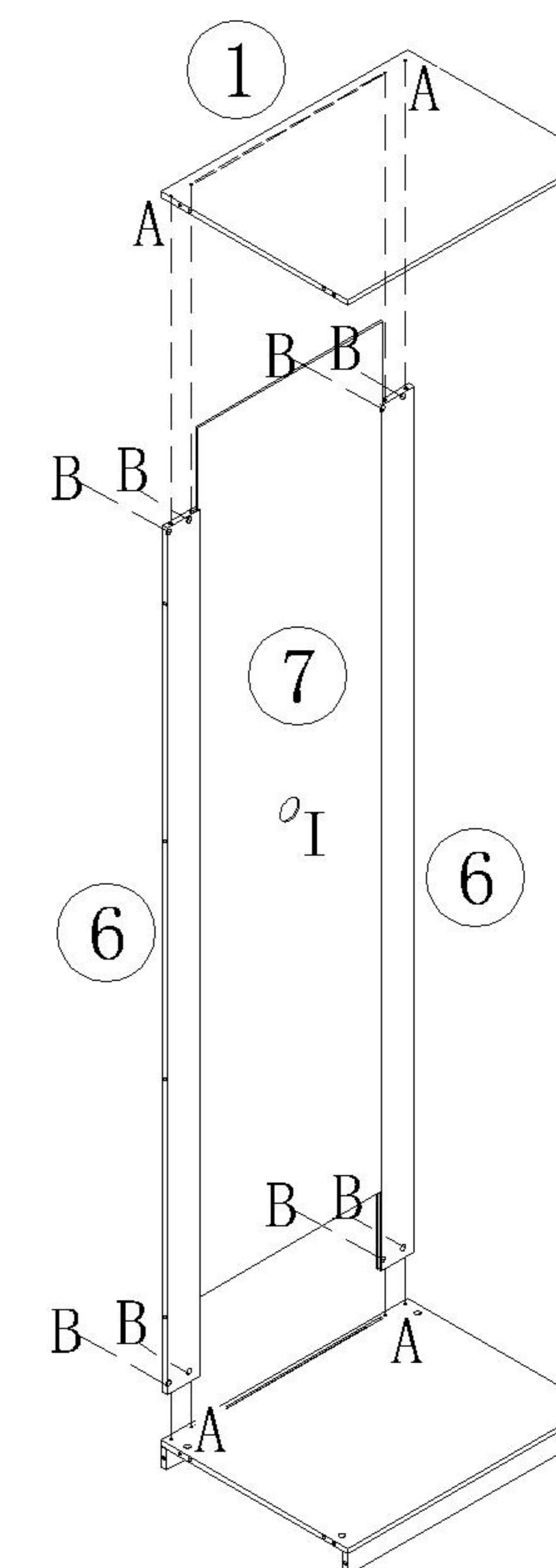
(A)*8



(B)*8



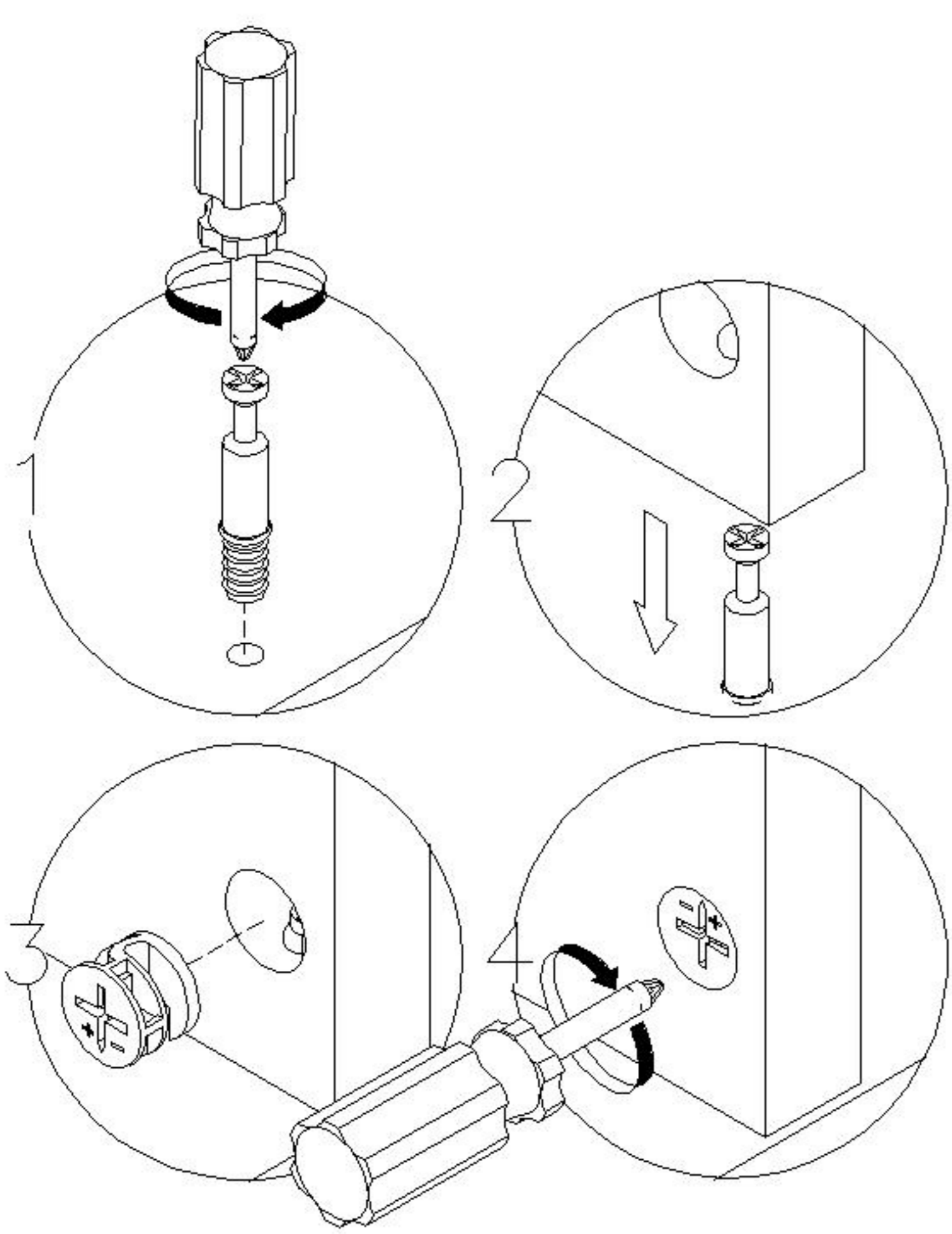
(I)*1



4

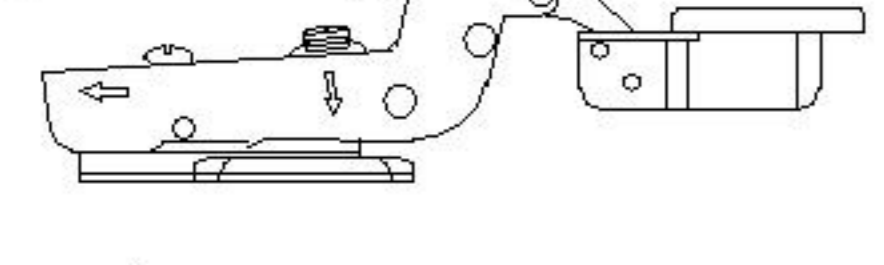
安装方法

Installation method

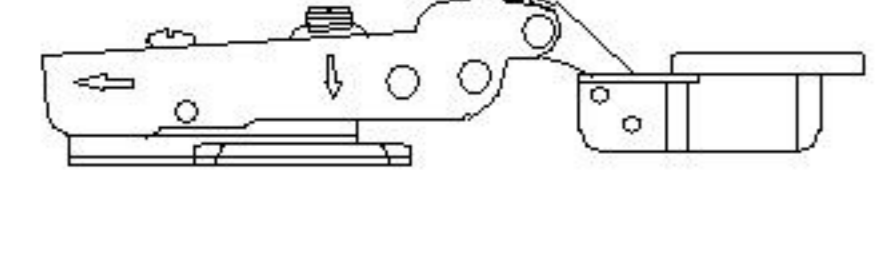


二合一 two-in-one

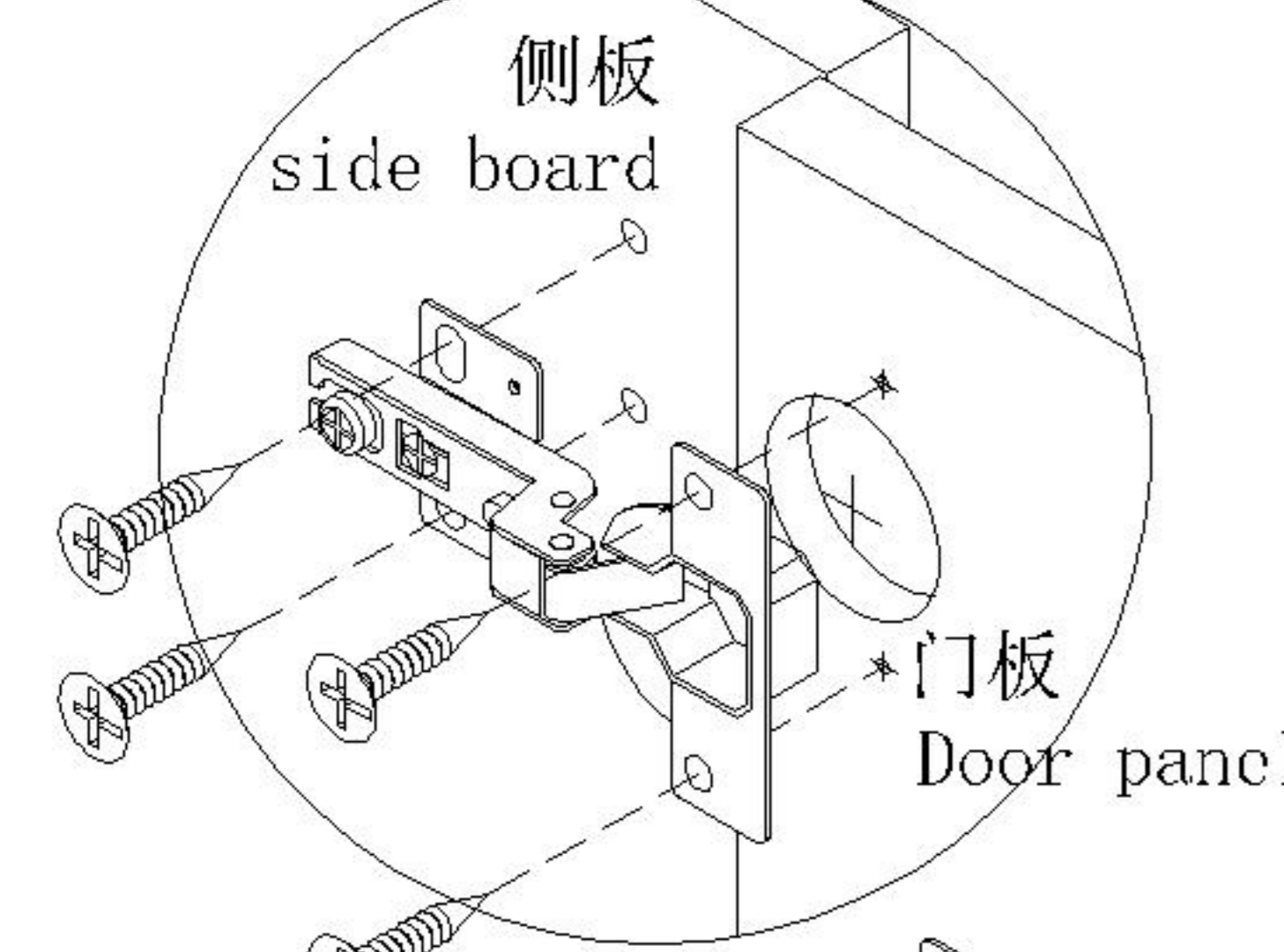
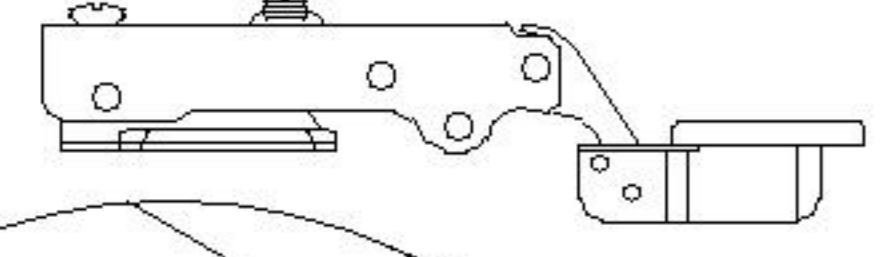
大弯big bend



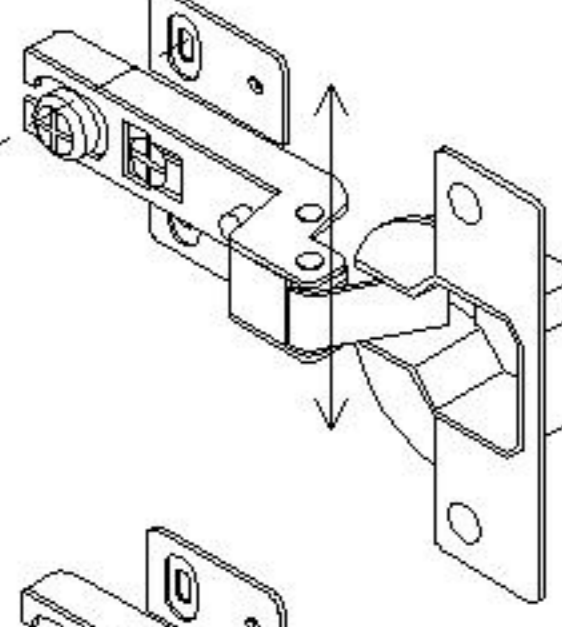
中弯middle bending



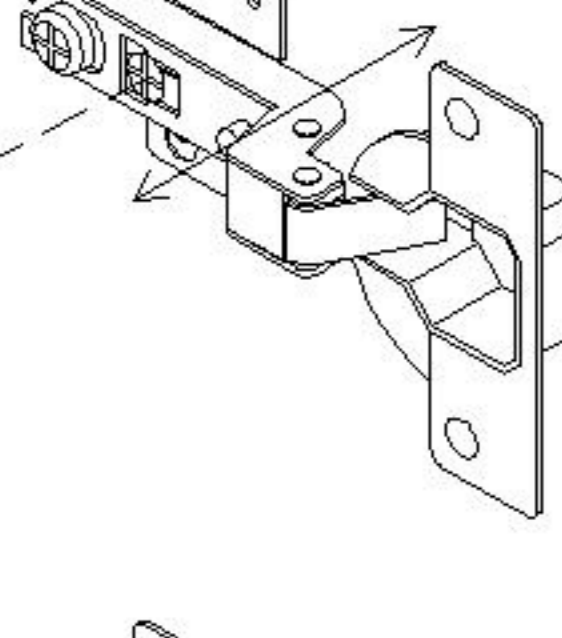
直弯straight bending



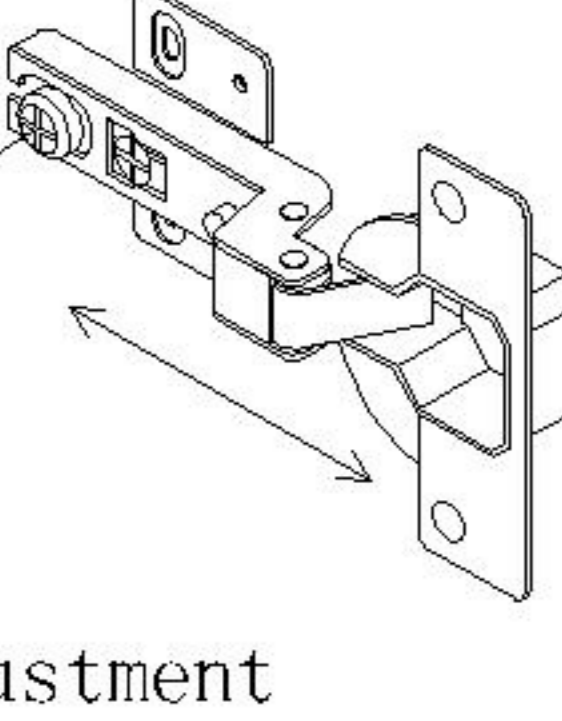
调节上下
Adjust up and down



调节左右
Adjust left and right

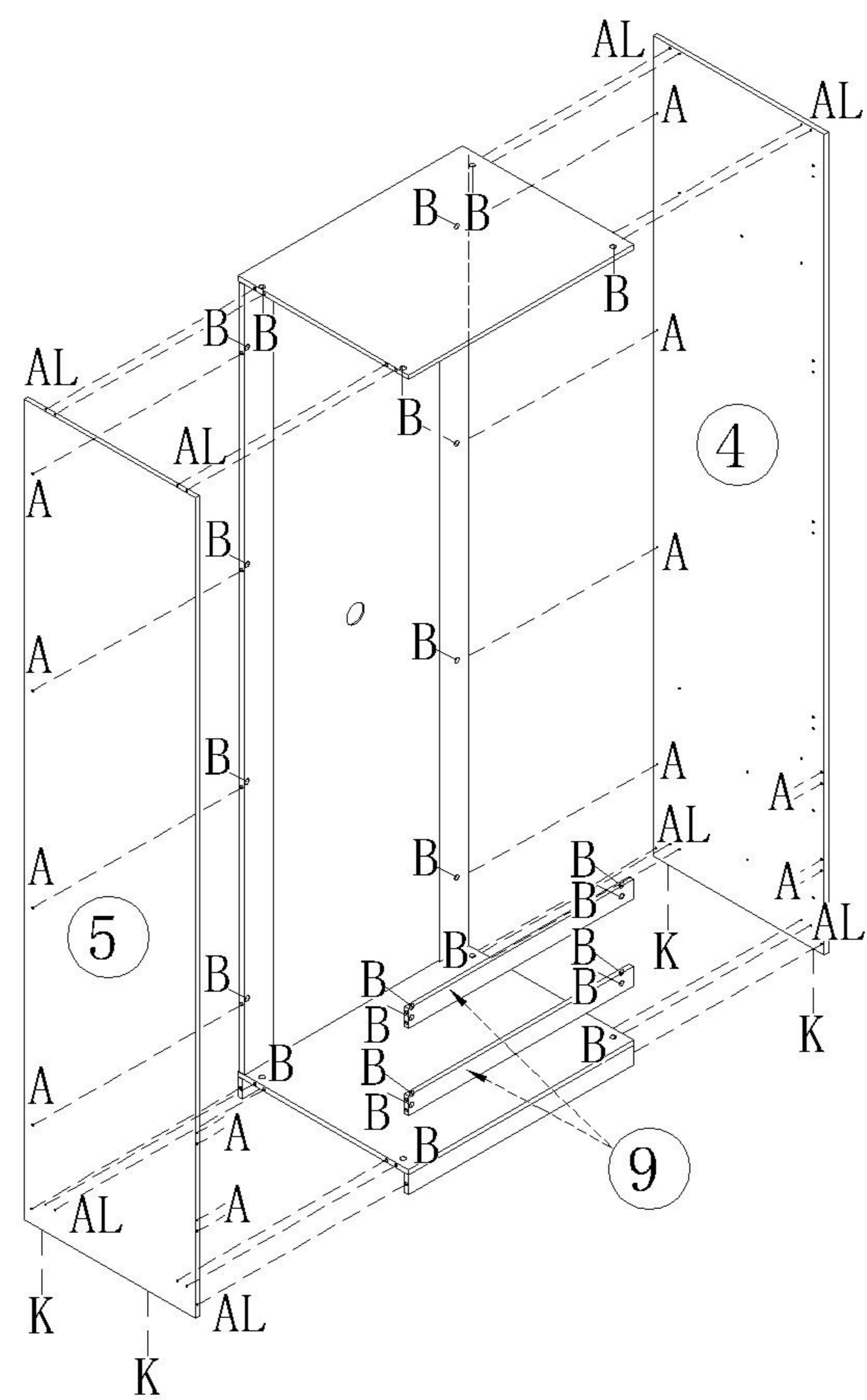


调节前后
Before and after adjustment



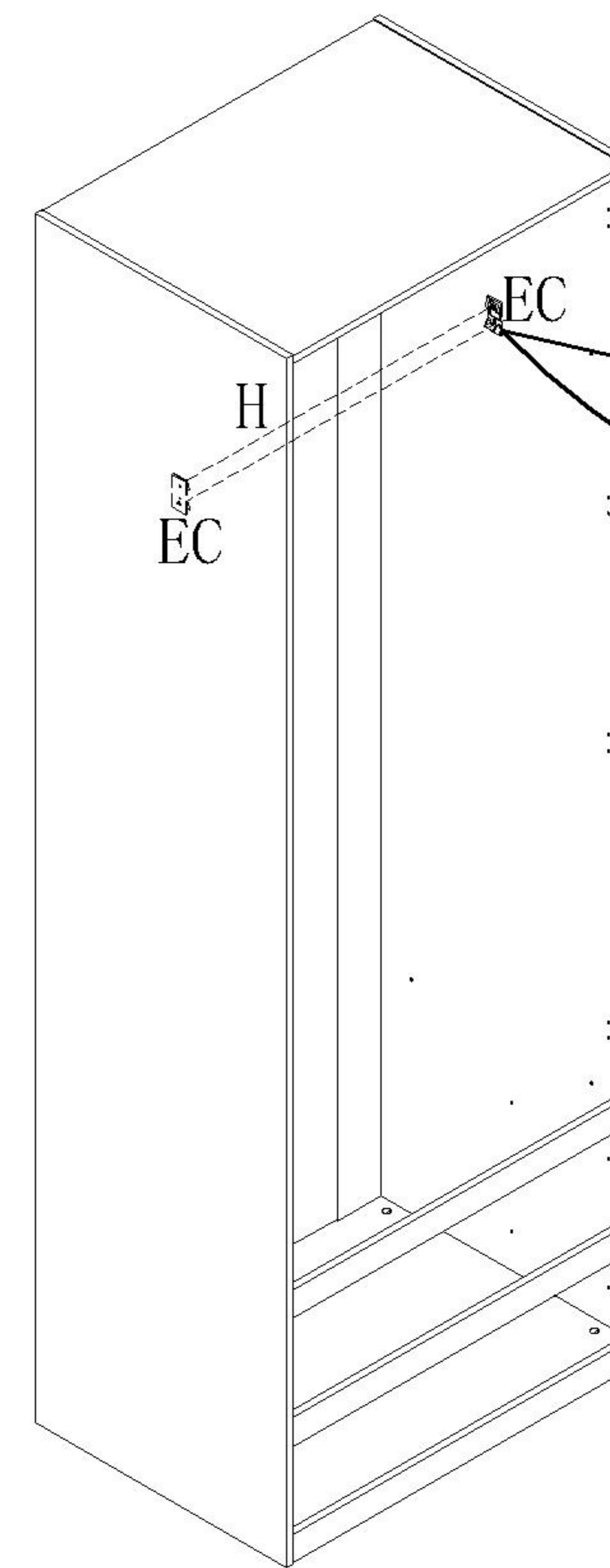
门铰
Hinge

- (A)*24
- (B)*24
- (L)*12
- (K)*4

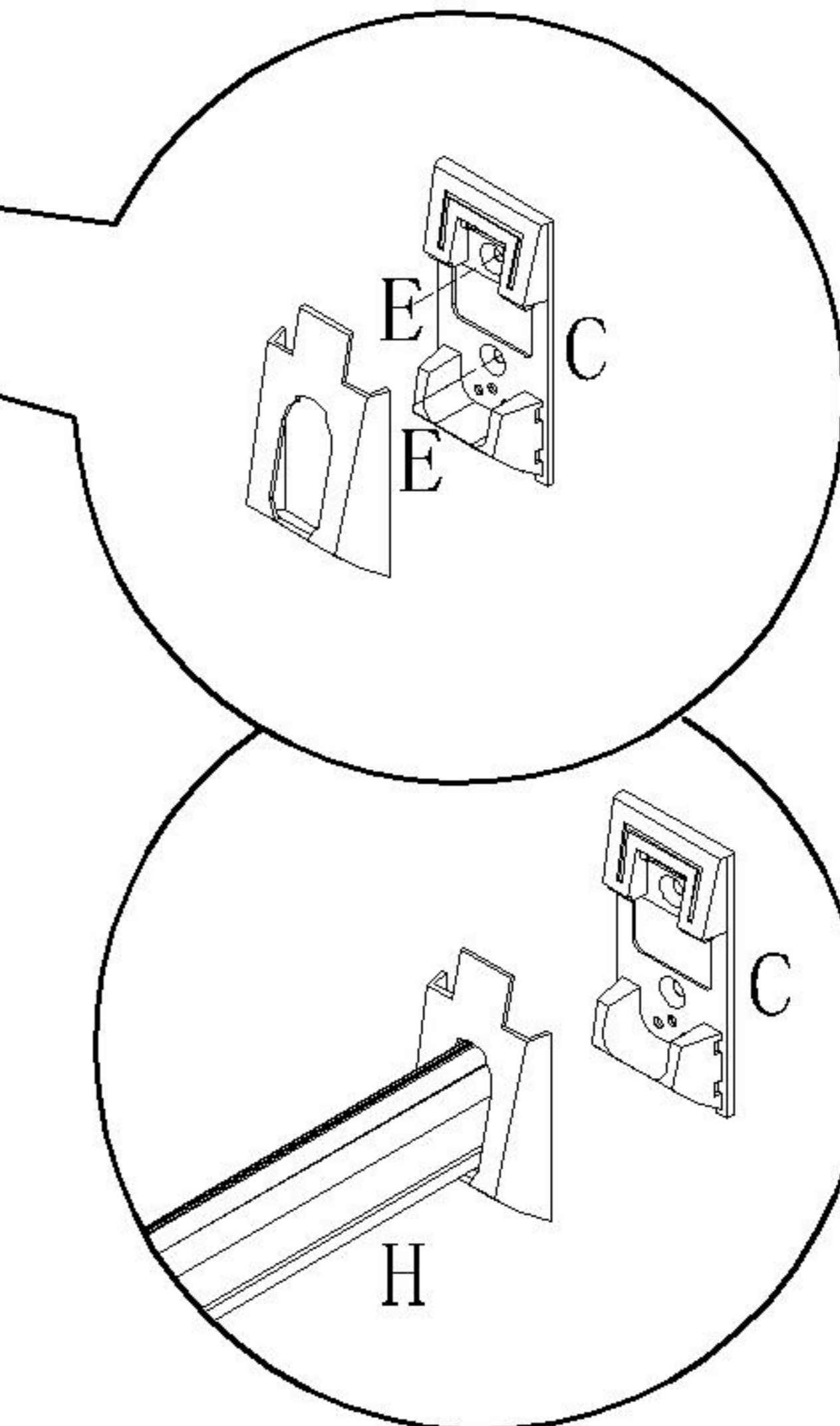


5

- (E)*4
- (C)*2
- (H)*1



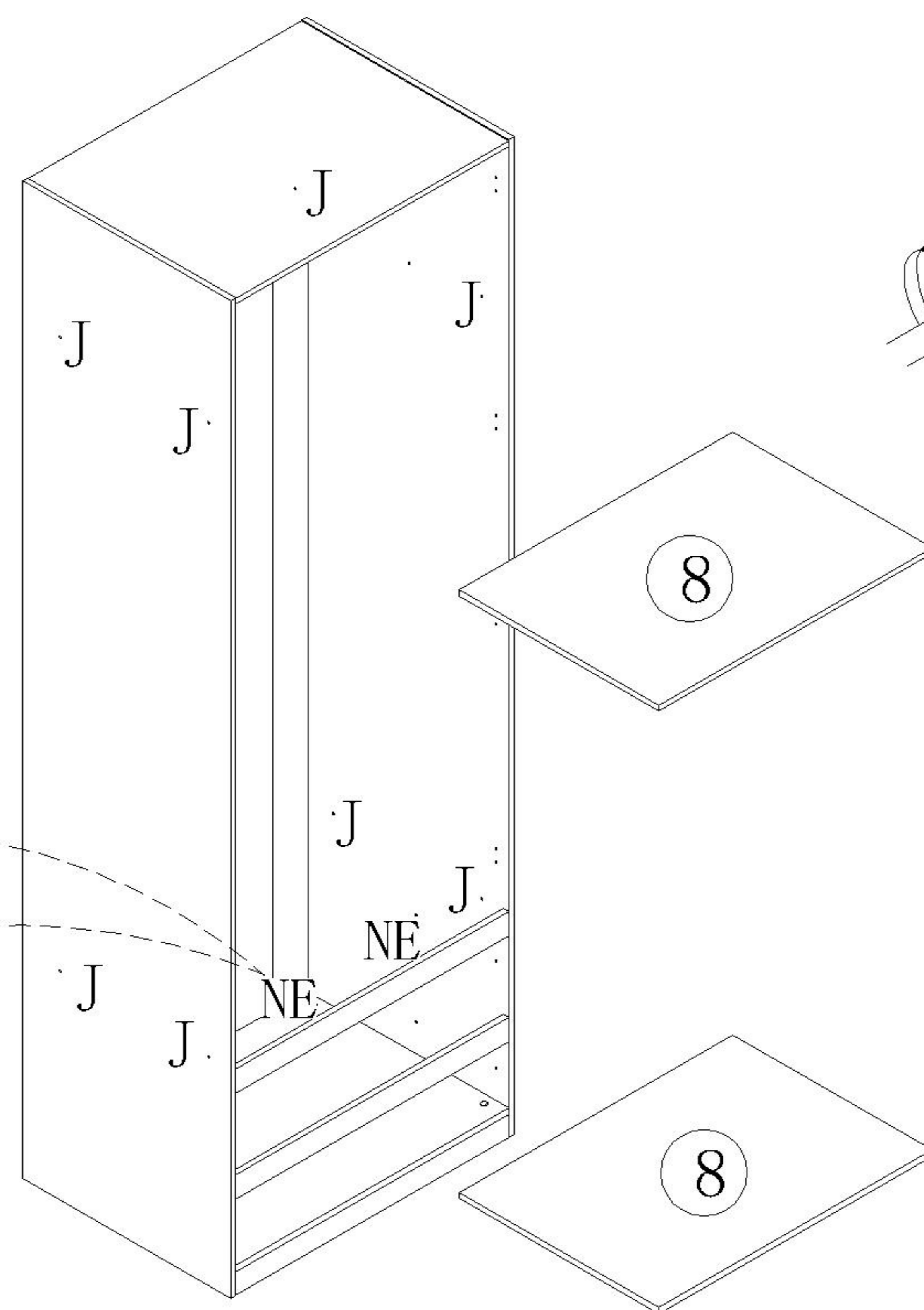
将五金C的盖子拆开再锁
Remove the cover of hardware C and lock it



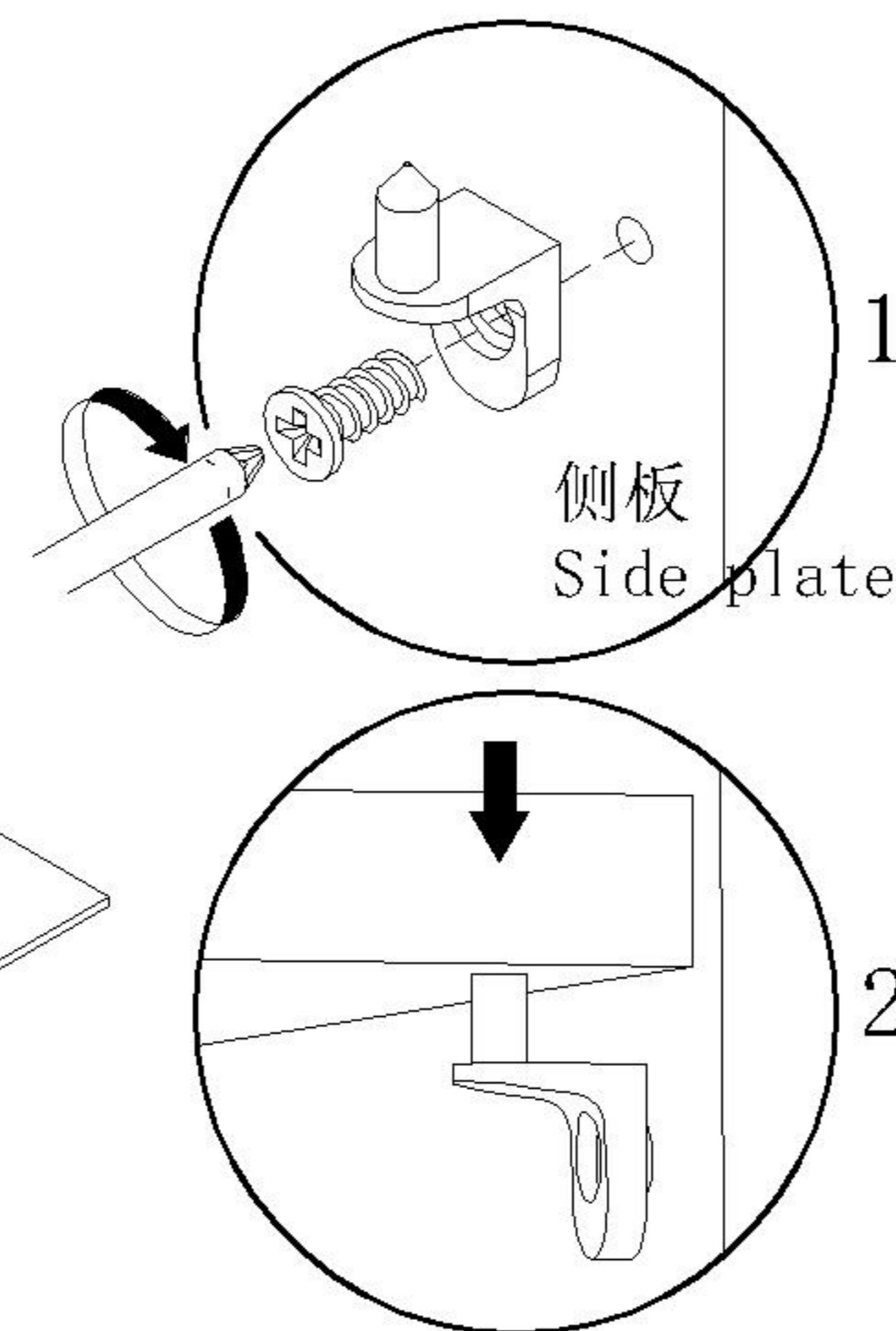
将五金H套进五金C的盖子再
盖在五金C的底座上
Put hardware H into the cover of hardware C and then cover the base of hardware C

6

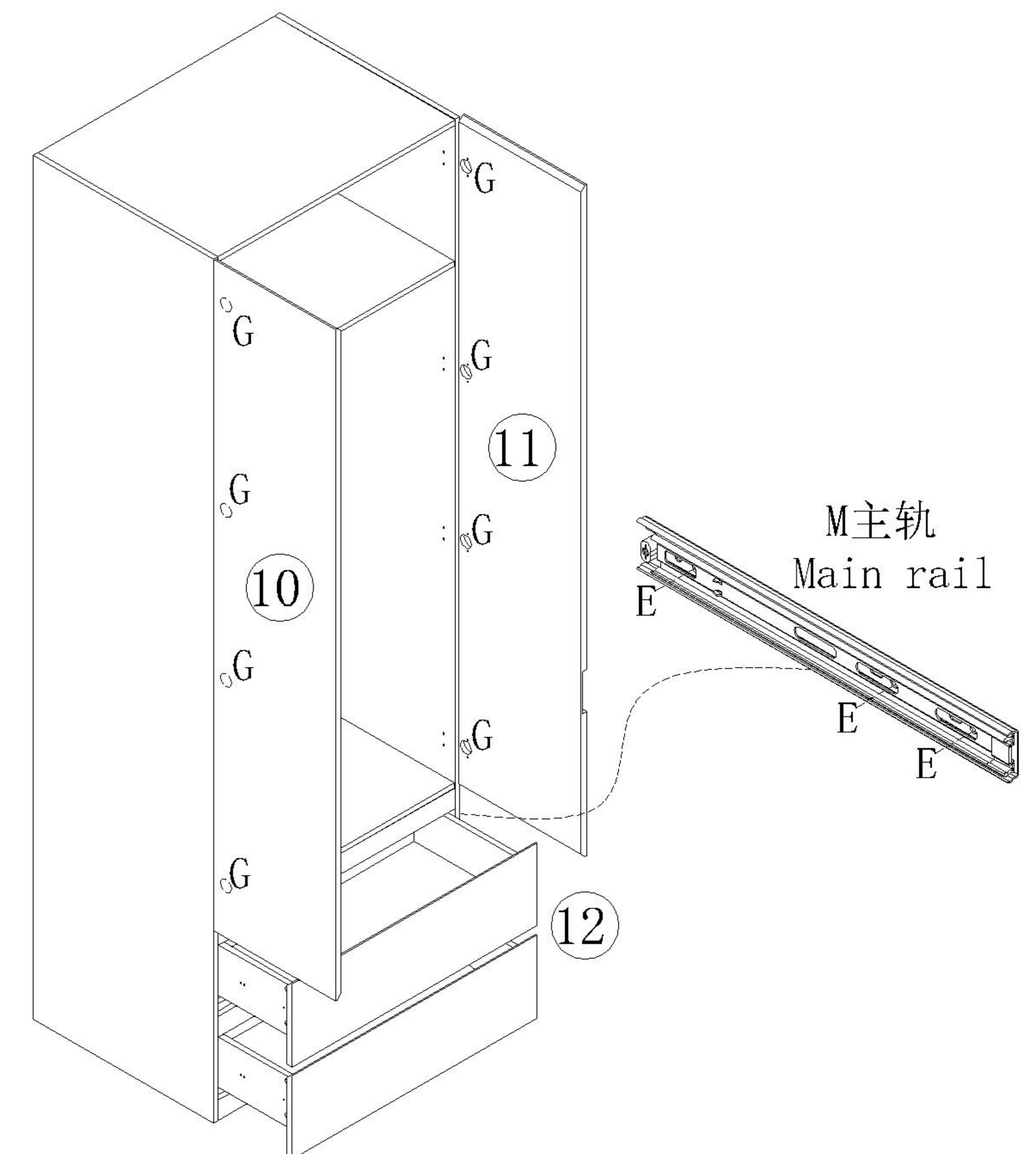
- (J)*8
- (N)*2
- (E)*4



7



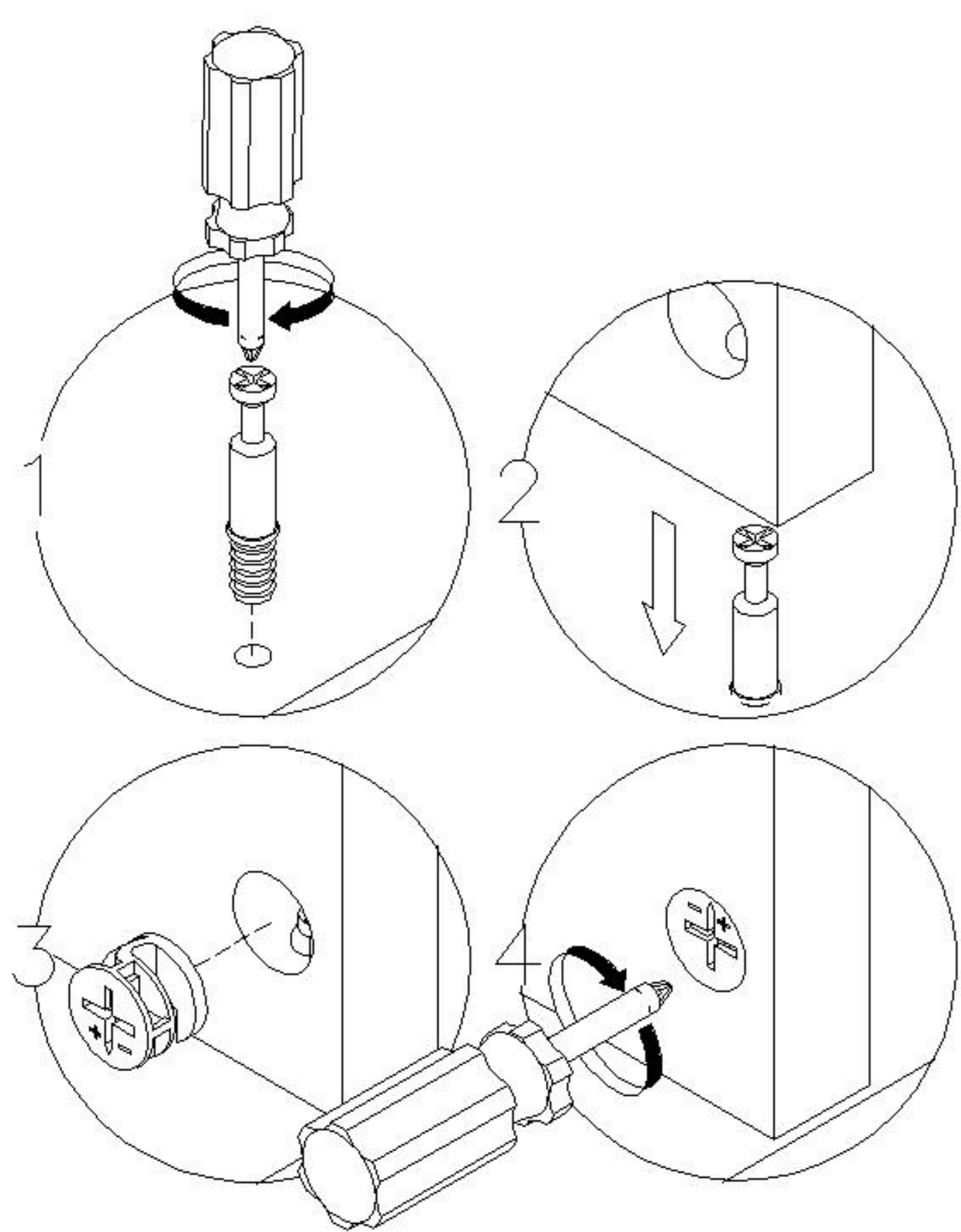
- (E)*12
- (M)*2
- (G)*8



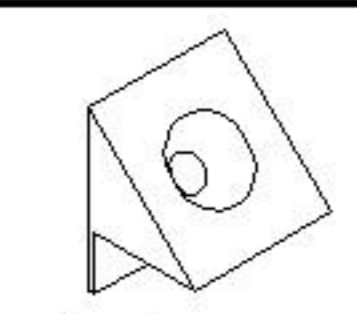
8

安装方法

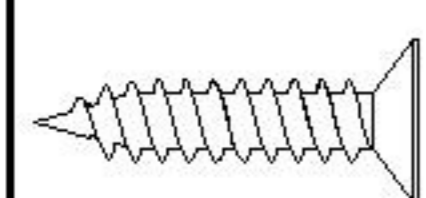
Installation method



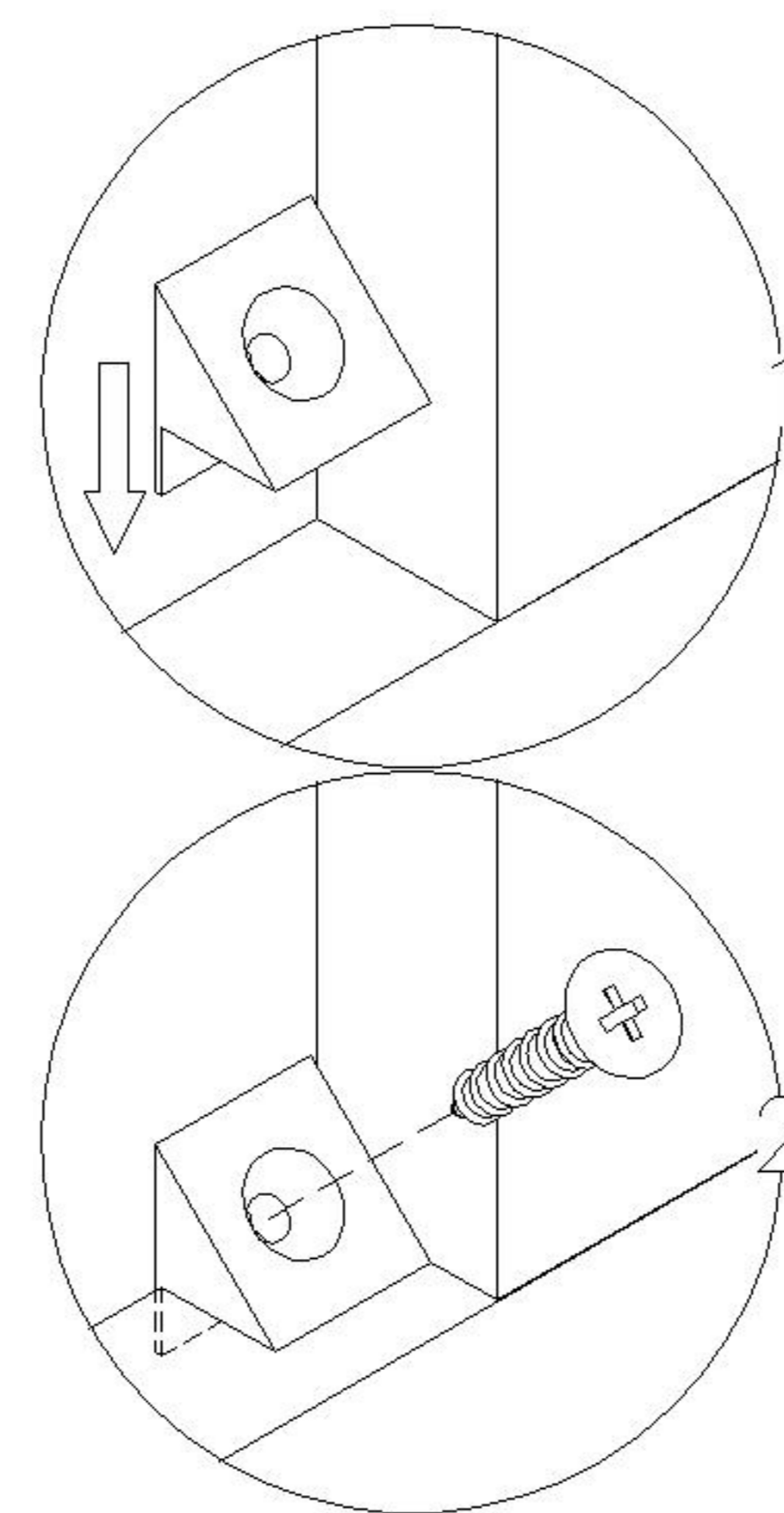
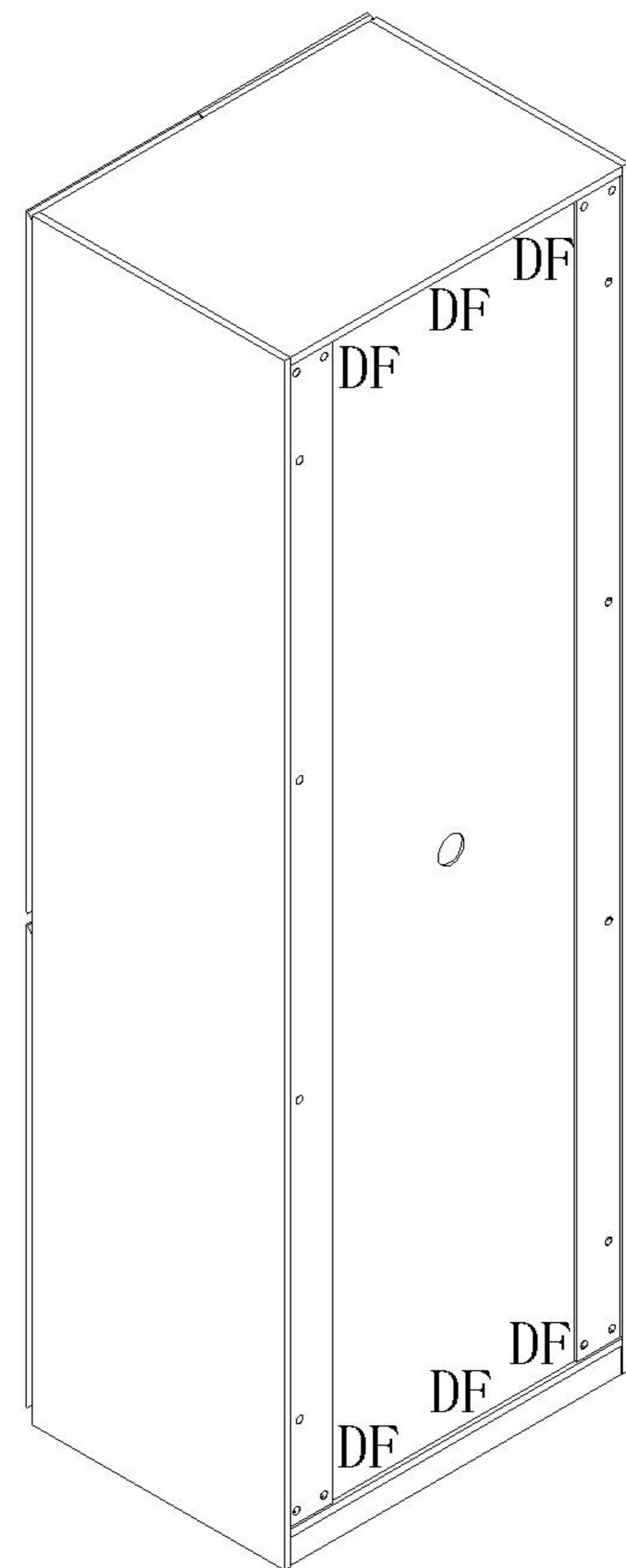
二合一 two-in-one



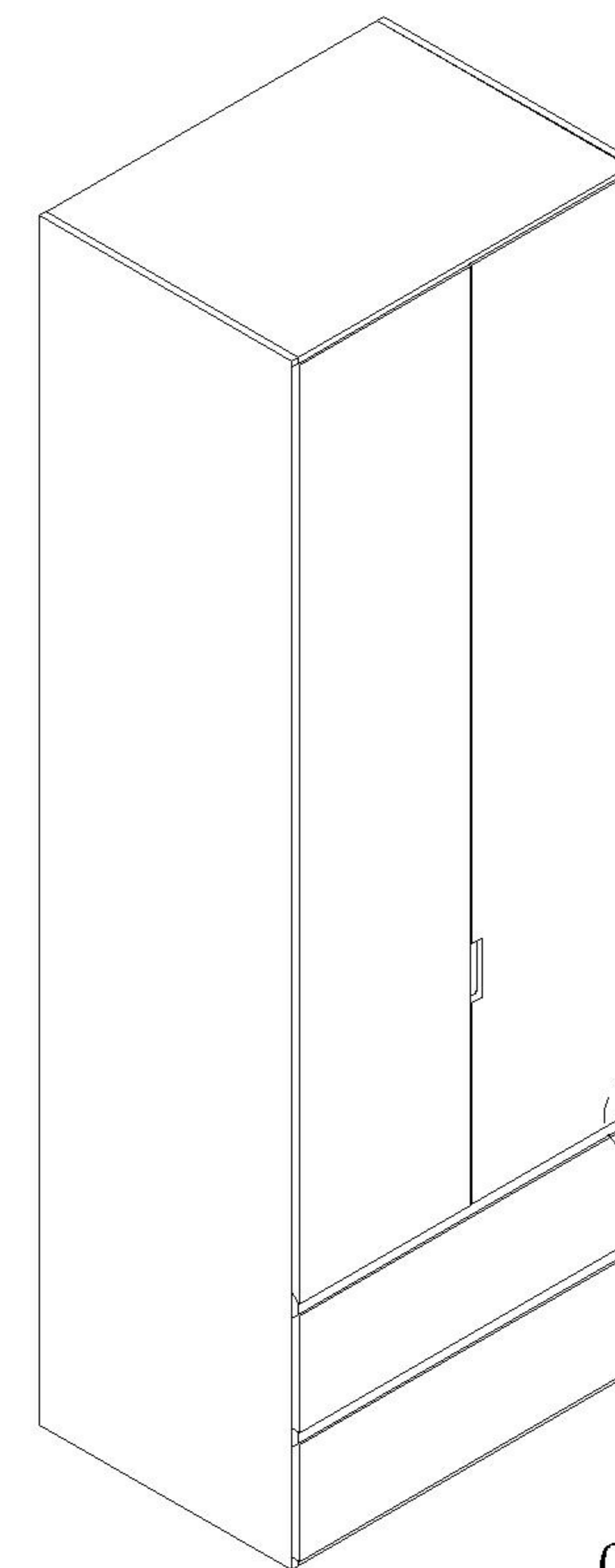
(D)*6



(F)*6



9



此处缝隙设计为开启抽屉、门板使用
小心夹伤
The gap here is designed as:
Open drawer and door panel for use
Beware of pinching

10