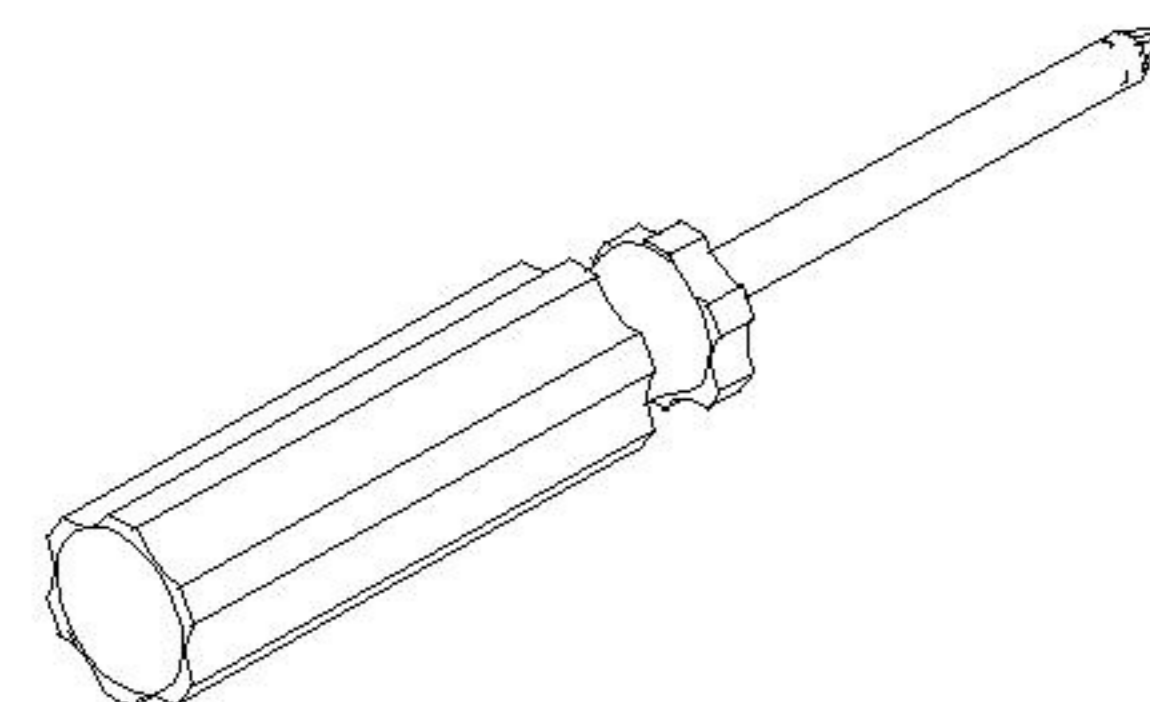
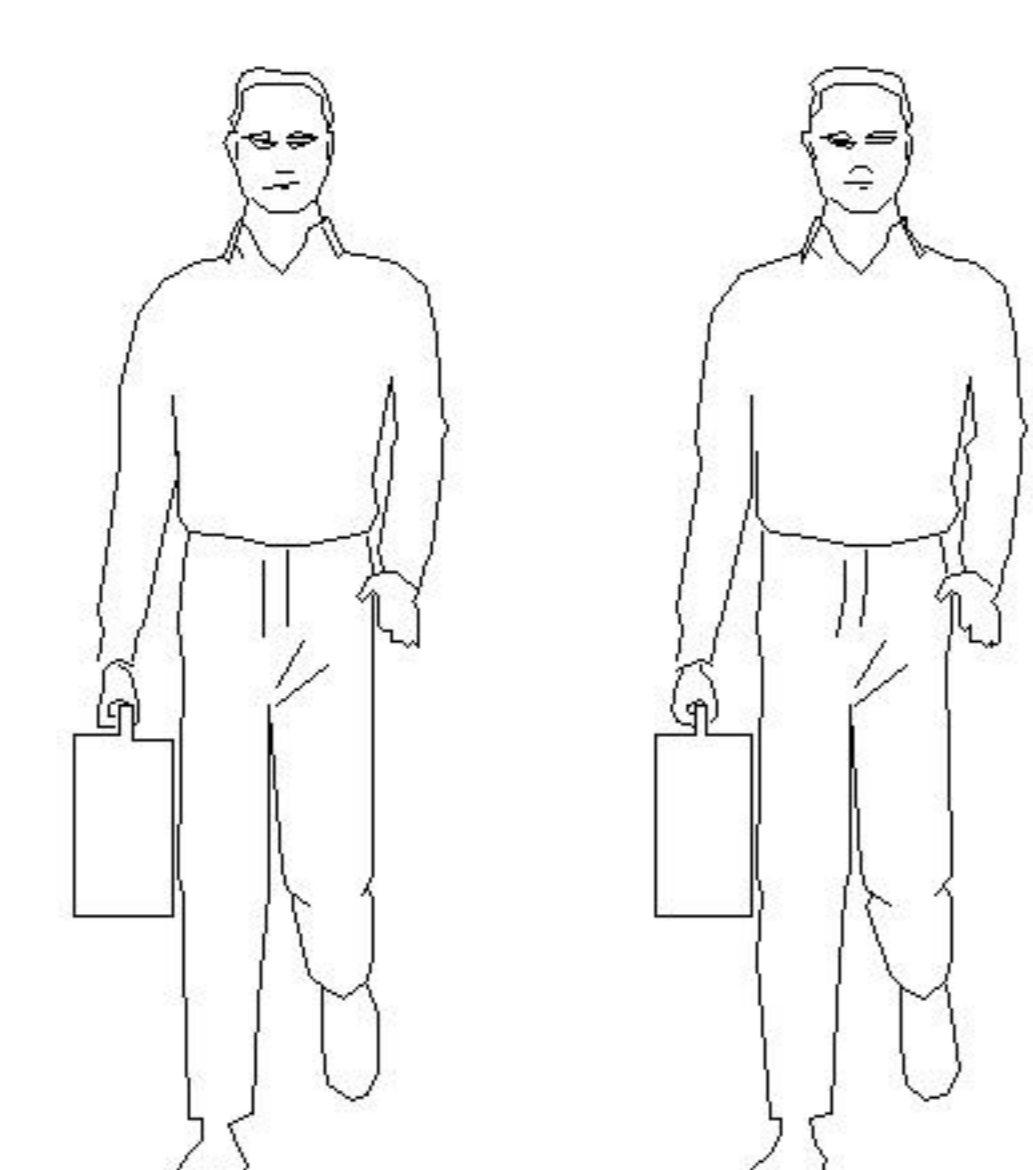
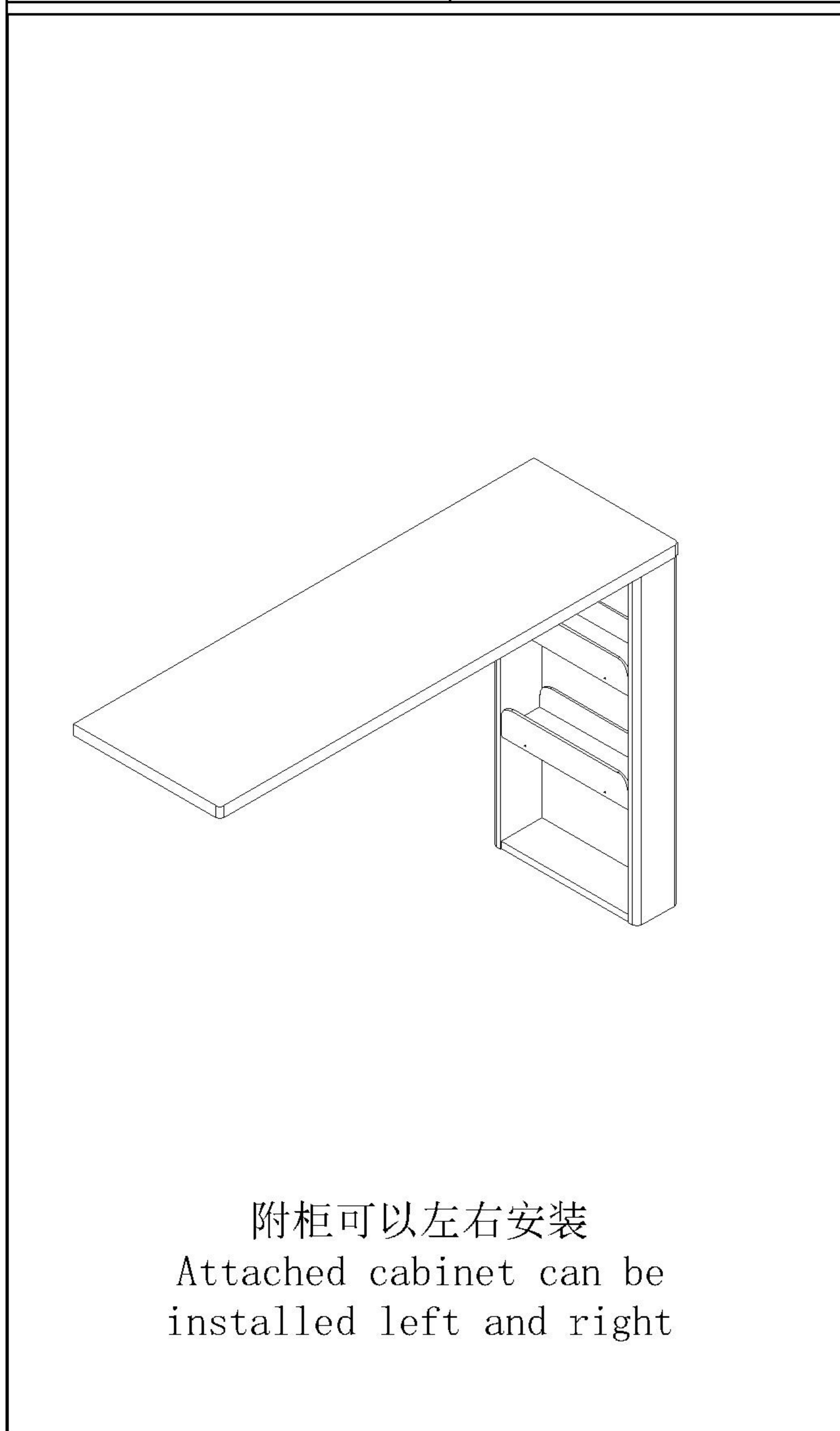
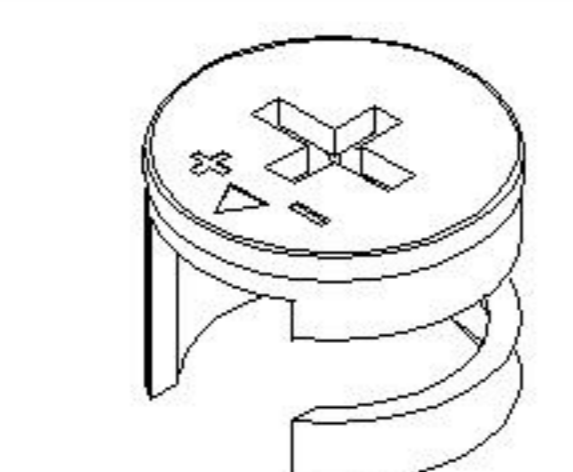
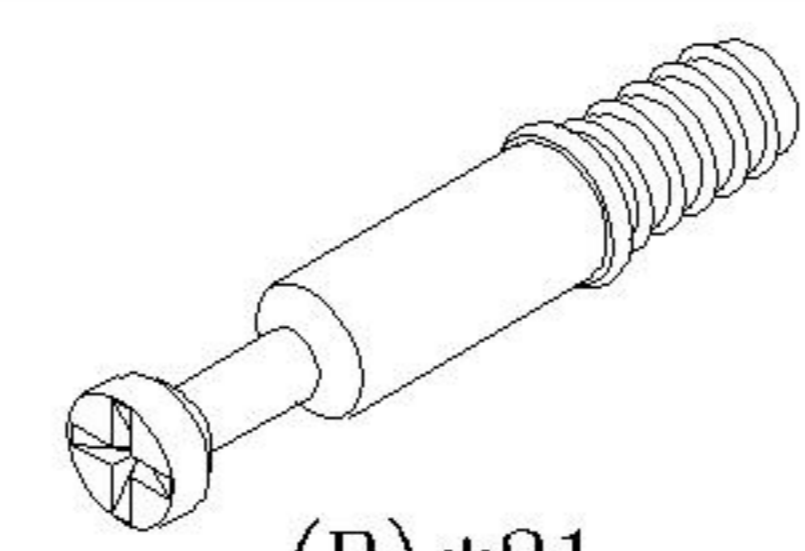
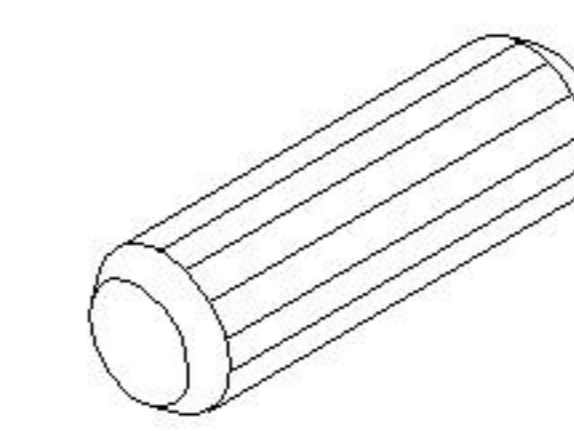
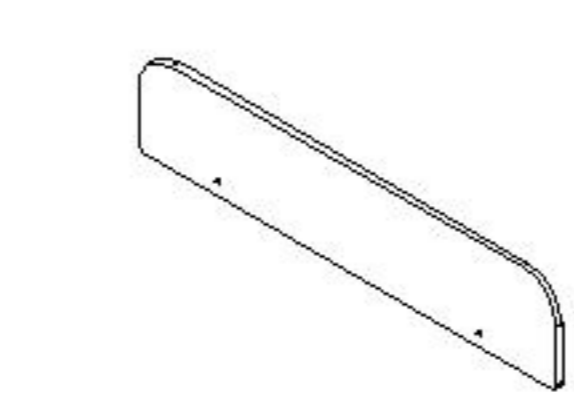
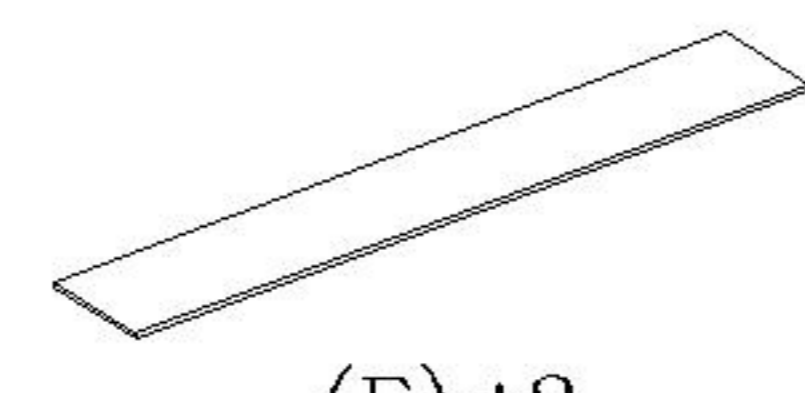
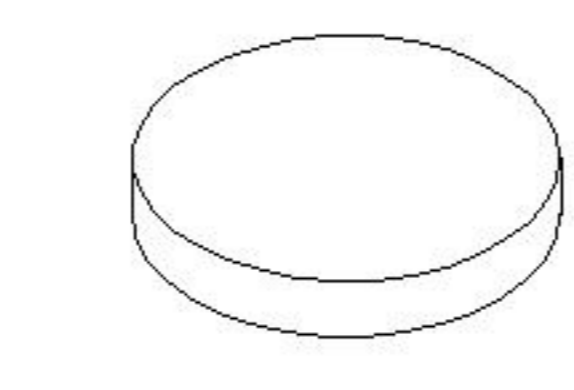
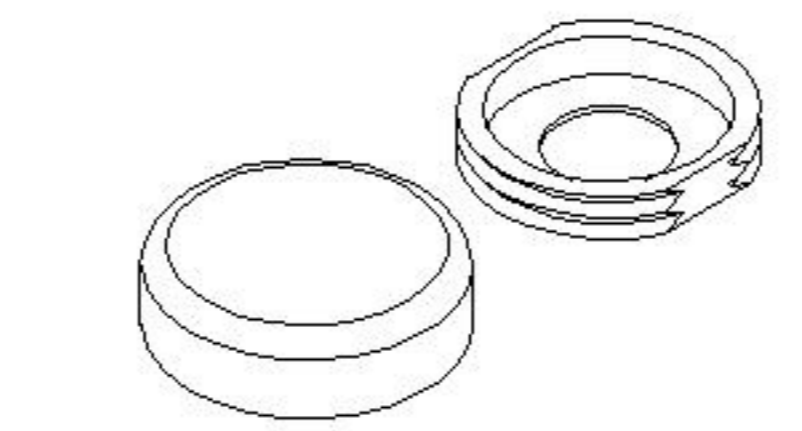
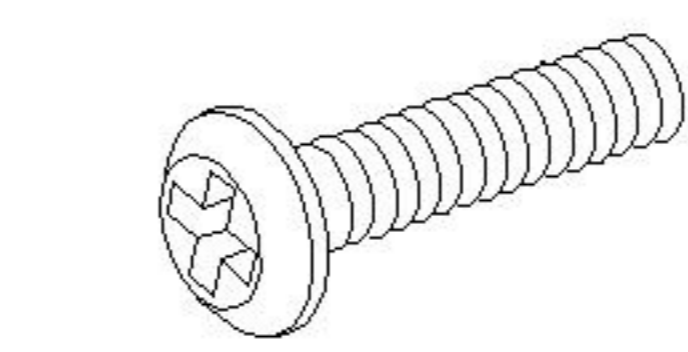
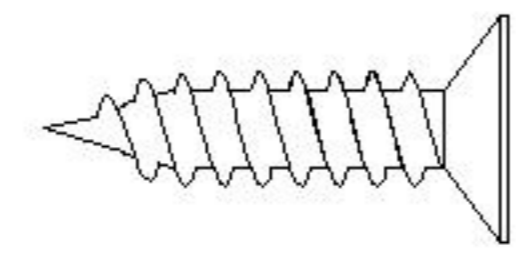


安装示意图/Assembly Instruction

产品名称 Model NO.	KQ2C-A
产品规格 Specification	1100*350*751MM
安装工具 Tool	安装人数 Installer
	

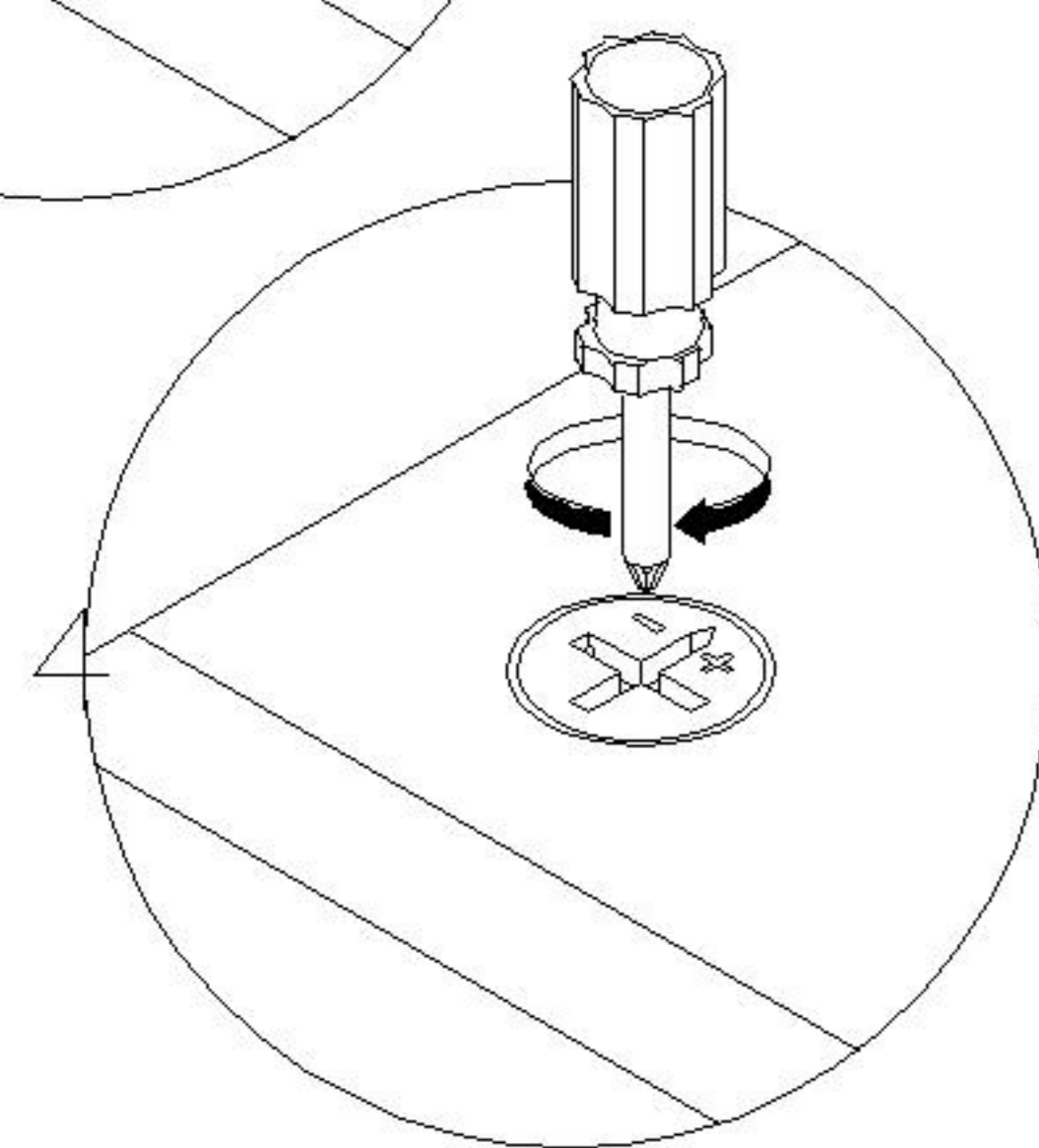
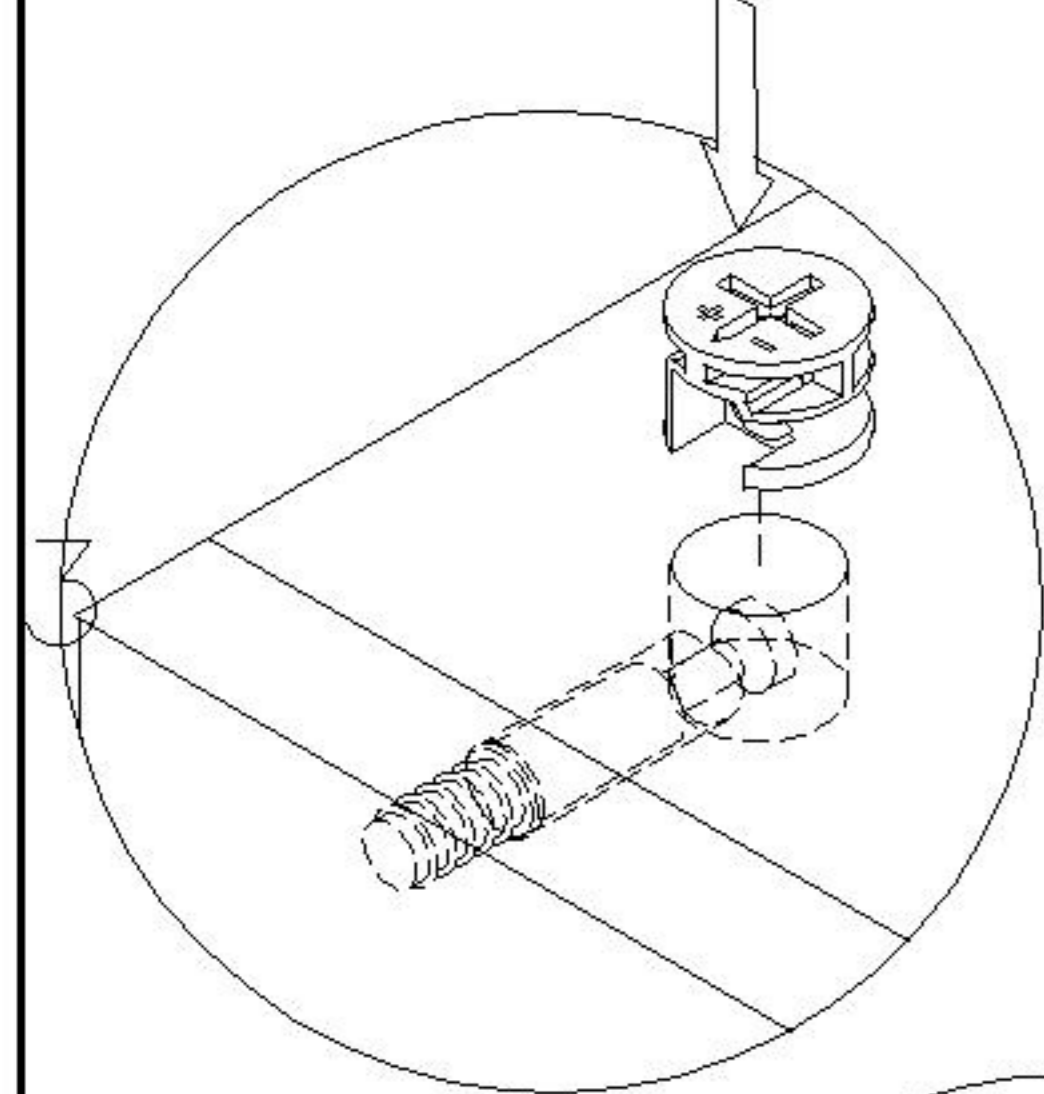
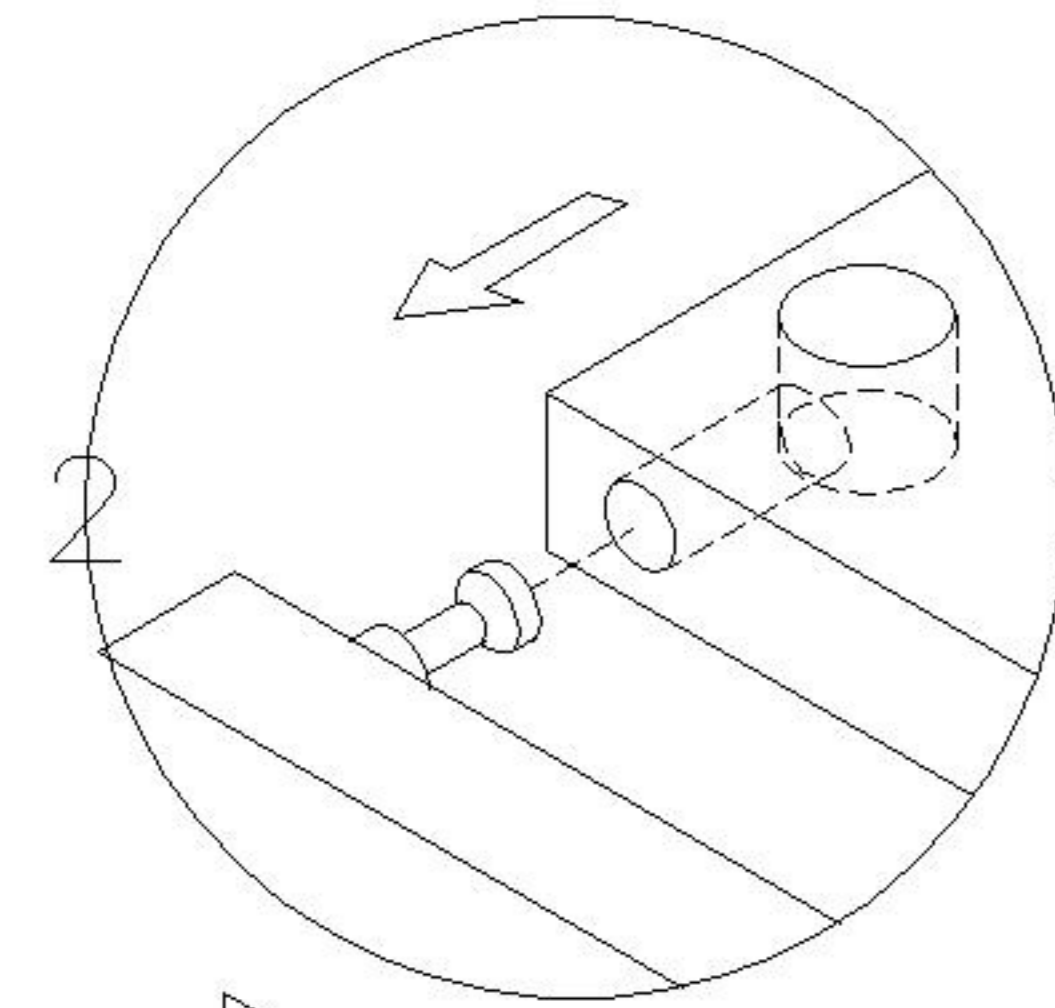
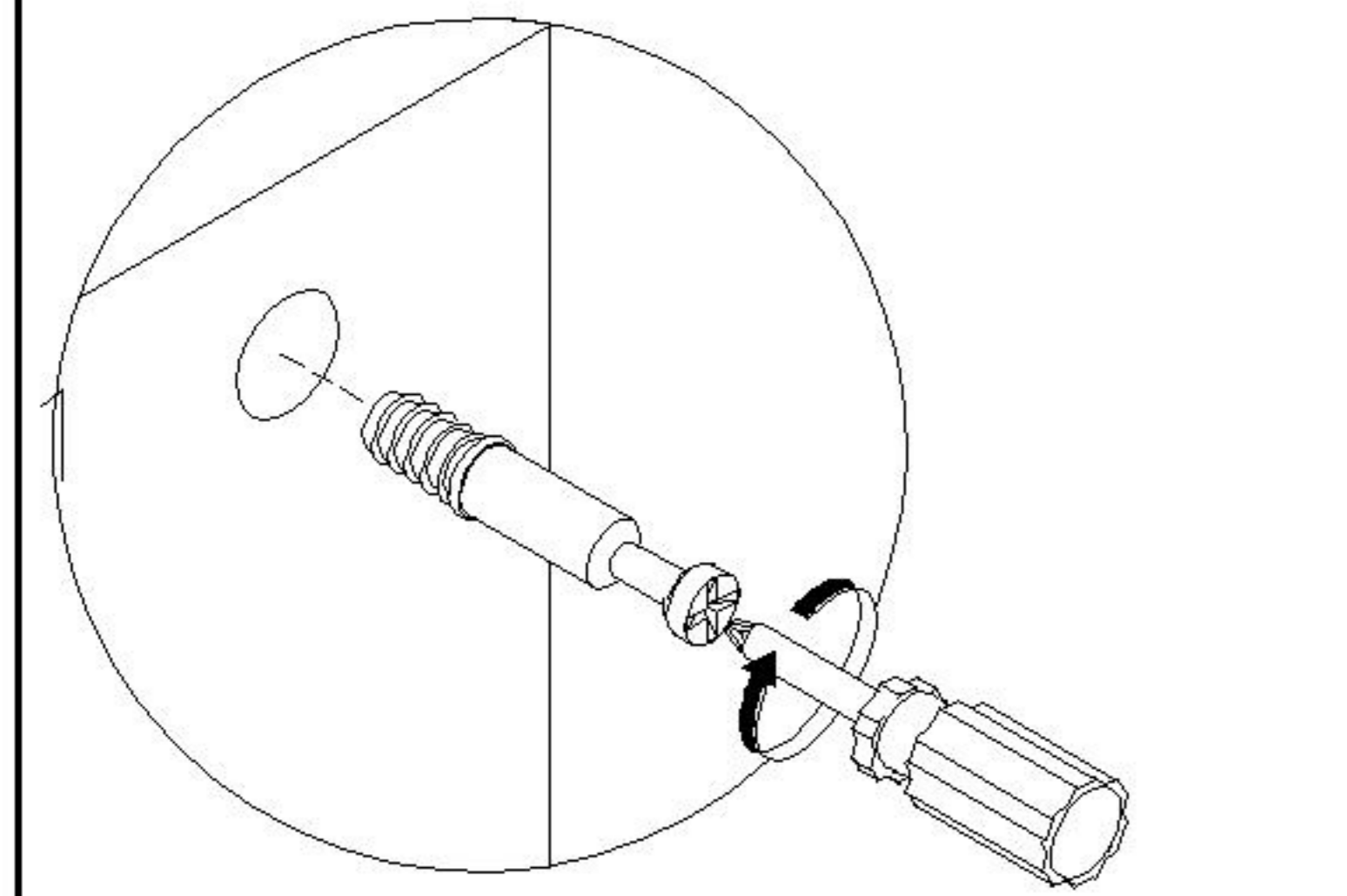


- | | | | |
|---|--|--|---|
| 
(A)*21
大三合一锁饼
3-in-1 large lock | 
(B)*21
二合一螺杆
2-in-1-screw | 
(C)*4
木榫-(\varnothing 8*30mm)
Wood tenon | 
(D)*4
亚克力
Acrylic |
| 
(E)*2
长胶垫-黑色L=300
Rubber pad | 
(F)*4
脚垫-灰色毛毡
Foot pad | 
(G)*8
镜钉-(直径13*5mm)
Mirror nail | 
(H)*4
斜边十字螺杆-M6*30
Bevel cross screw |
| 
(I)*8
自攻螺丝M3.5*16
Tapping screw | | | |

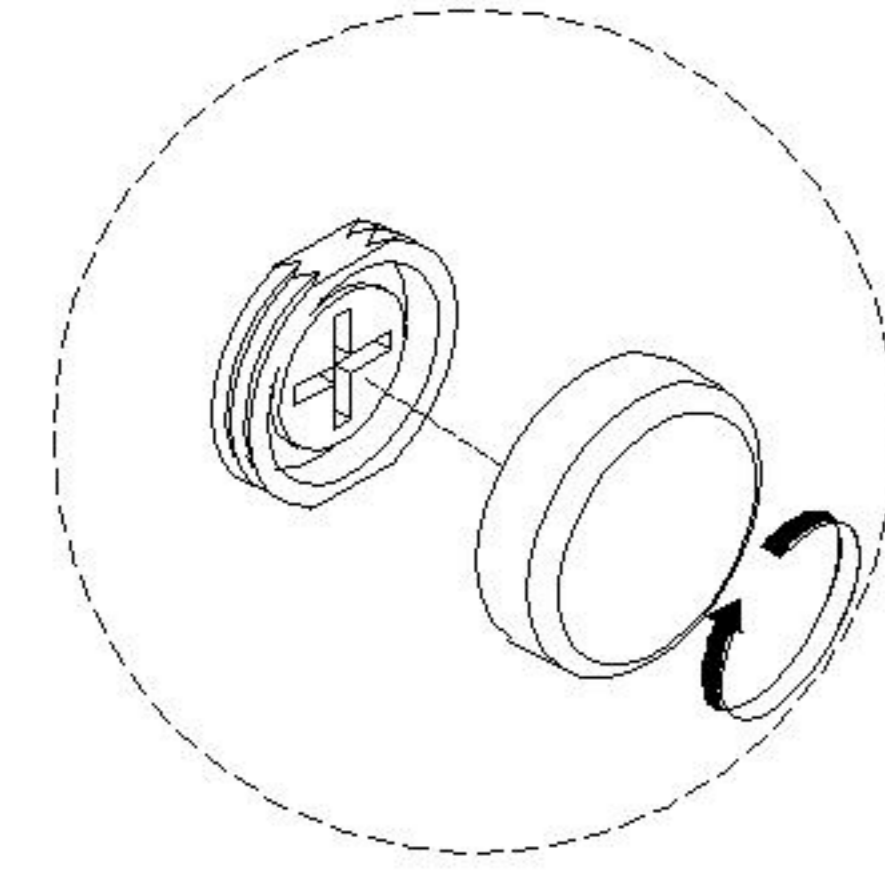
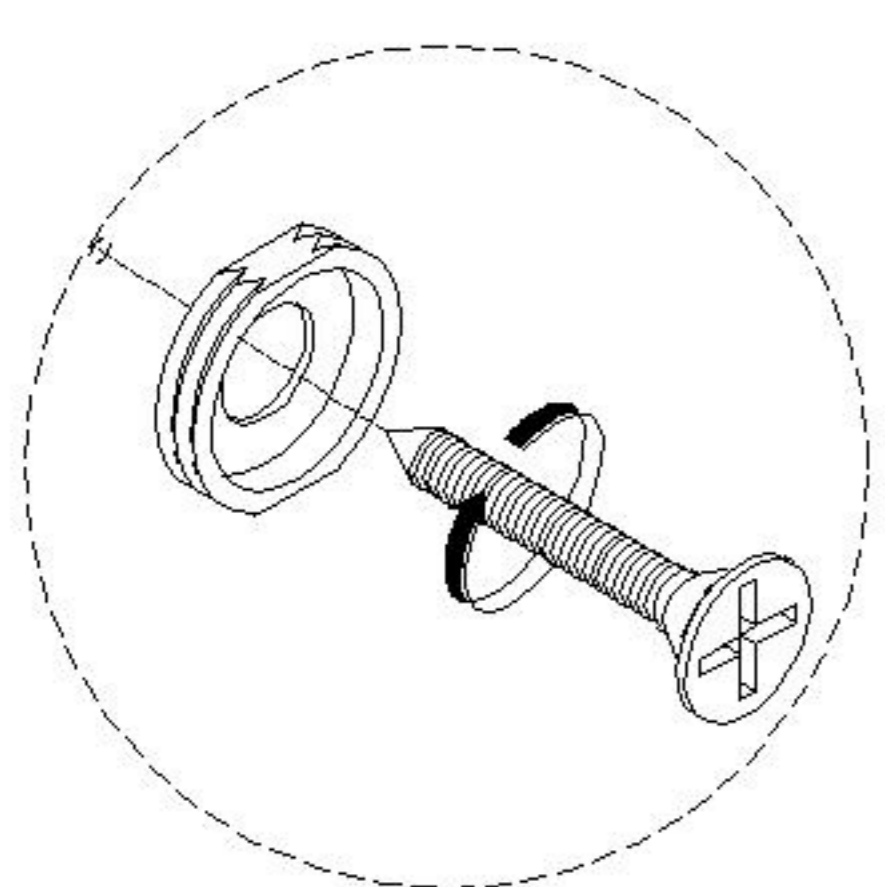
编号NO.	名称Name	规格 (MM) Specification	数量QTY	材质Material
①	面板Top panel	1100*350*25	1	三胺板 Melamine
②	附柜上层板Upper shelf of attached cabinet	306*98*15	1	三胺板 Melamine
③	附柜层板Shelf of attached cabinet	306*88*15	2	三胺板 Melamine
④	附柜底板Attached bottom board	306*98*15	1	三胺板 Melamine
⑤	附柜侧板Sideboard of attached cabinet	723*100*20	2	实木 Wood

KQ2C-A

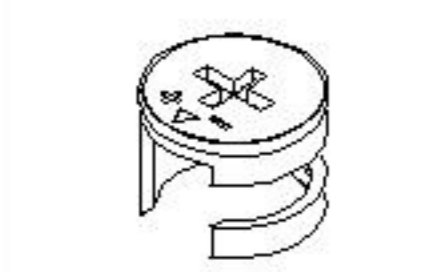
安装方法/
Installation method



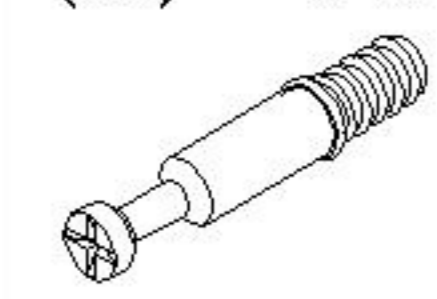
二合一
two-in-one



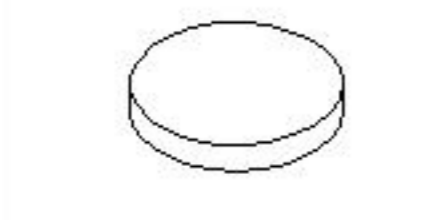
镜钉
Mirror nail



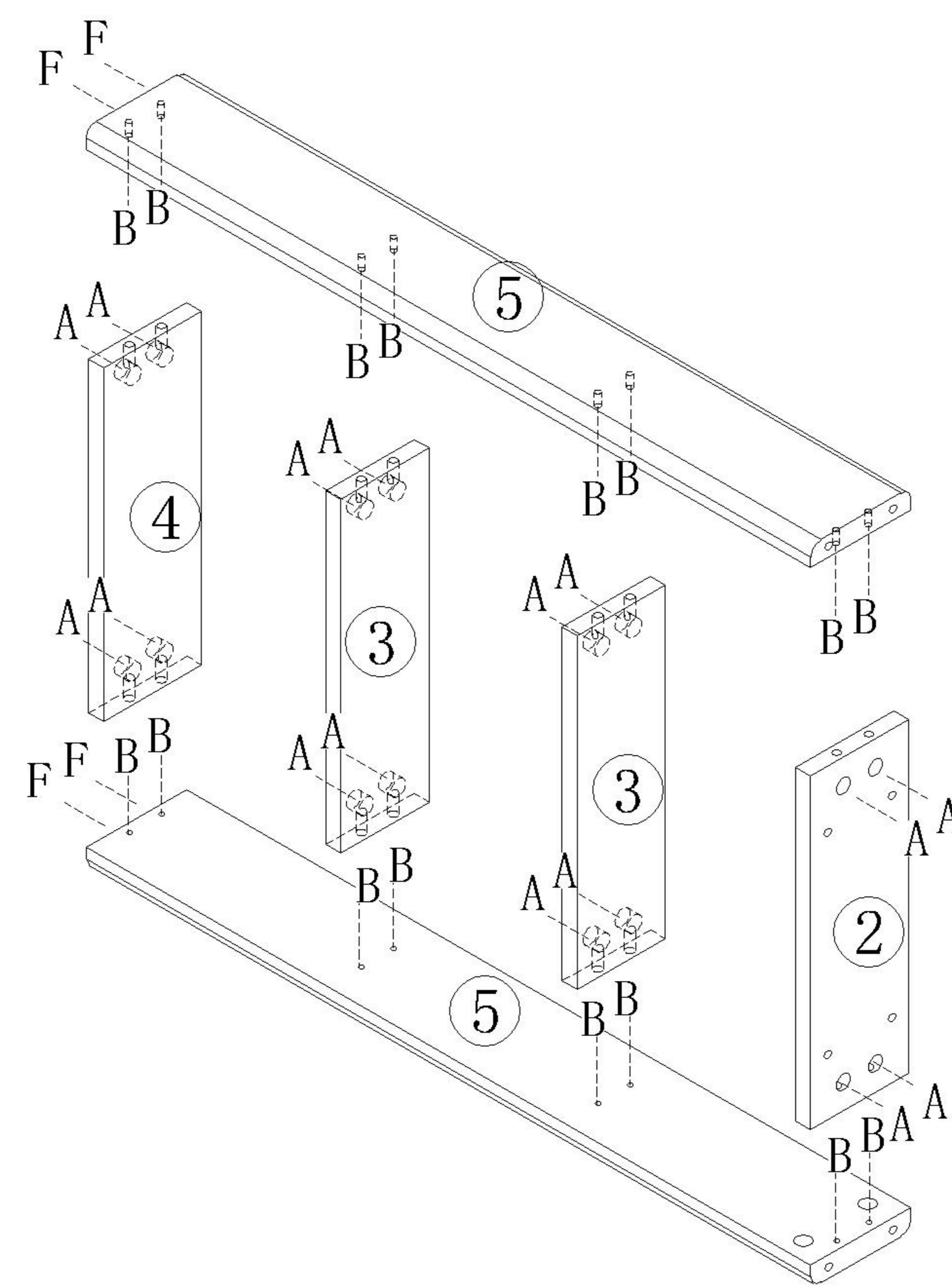
(A)*16



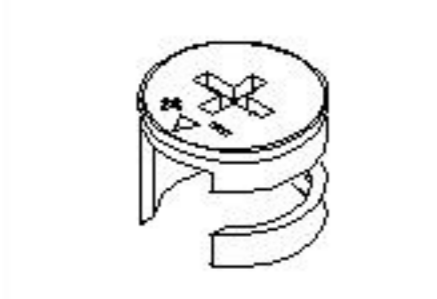
(B)*16



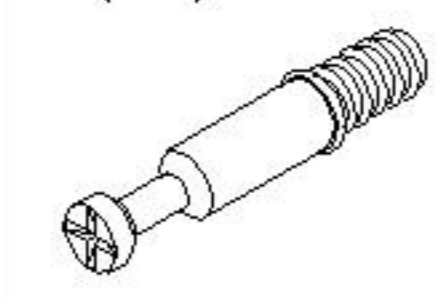
(F)*4



(H)*4



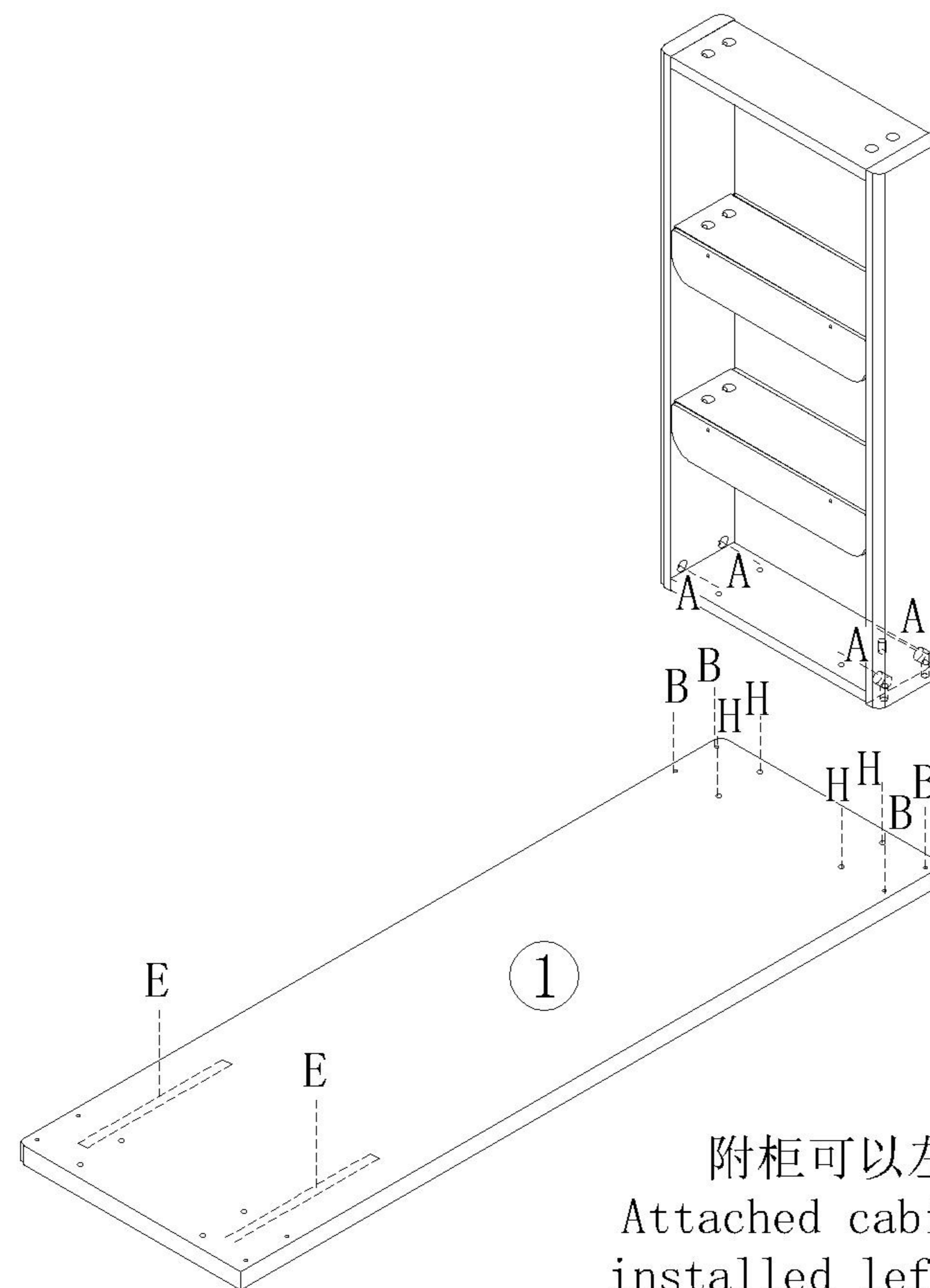
(A)*4



(B)*4

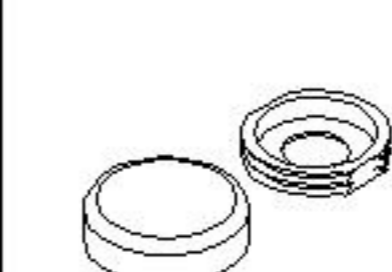


(E)*2

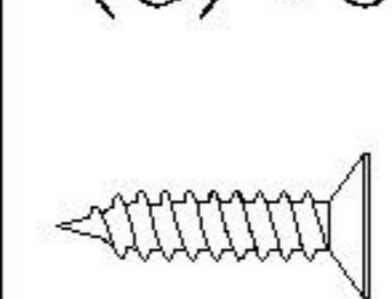


附柜可以左右安装
Attached cabinet can be
installed left and right

3



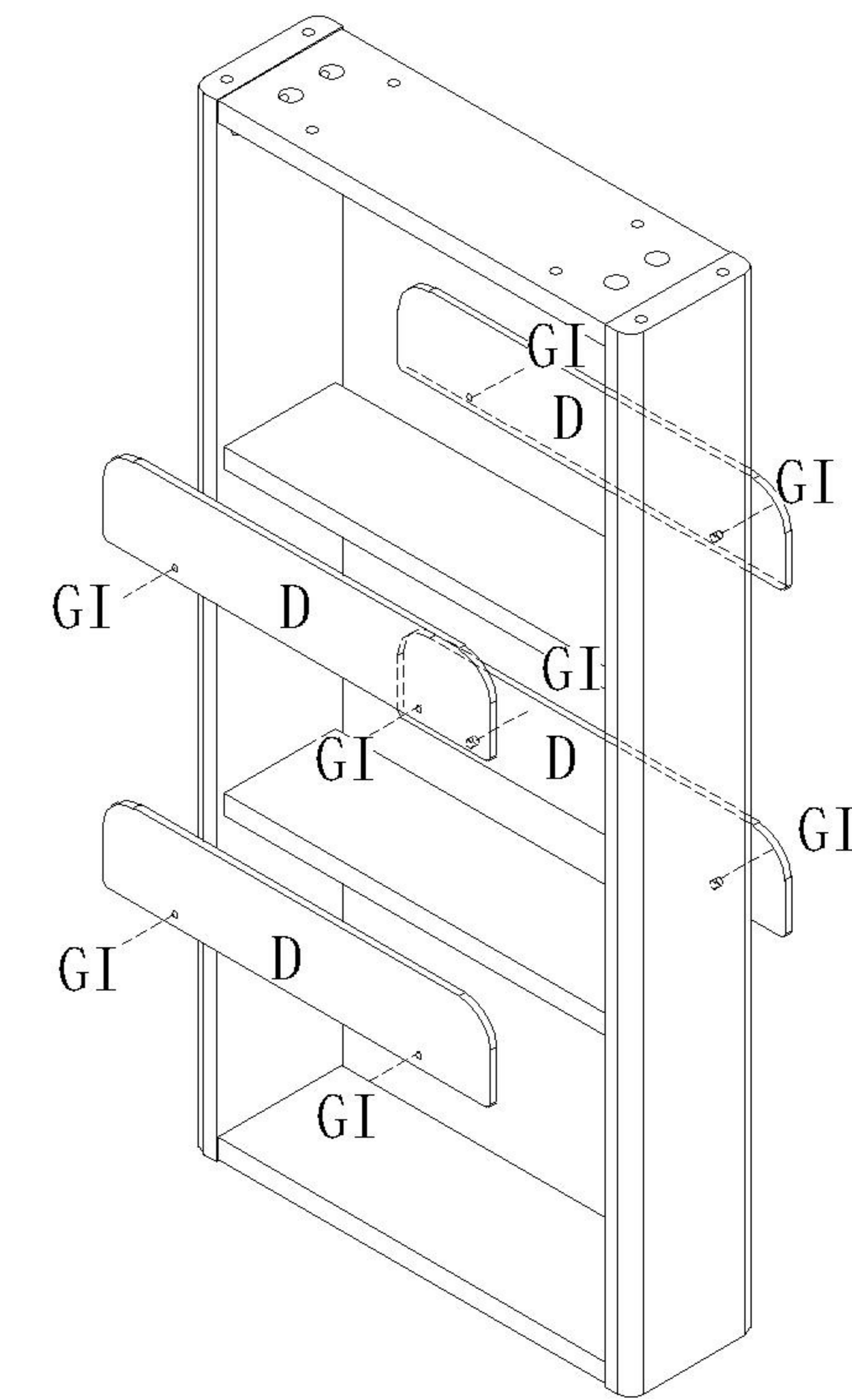
(G)*8



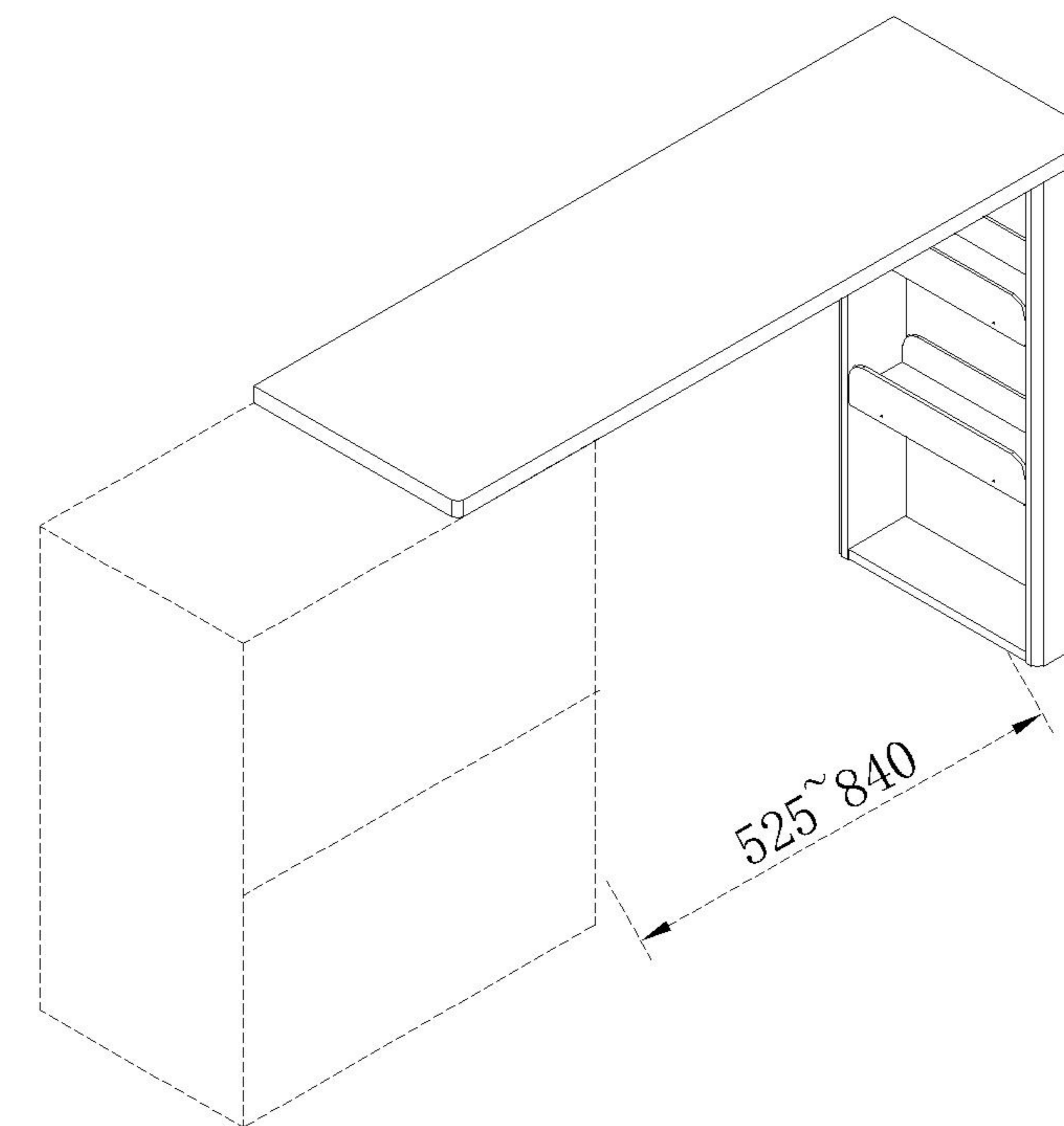
(I)*8



(D)*4



4



请适当调整妆台长度，使妆台
稳固不易倾倒。
座位净空最窄不少于525mm，
最长不长于840mm。
Please adjust the length
of the dresser
appropriately to make it
stable and not easy to
topple. The narrowest seat
clearance shall not be
less than 525mm and the
longest shall not be
longer than 840mm.