

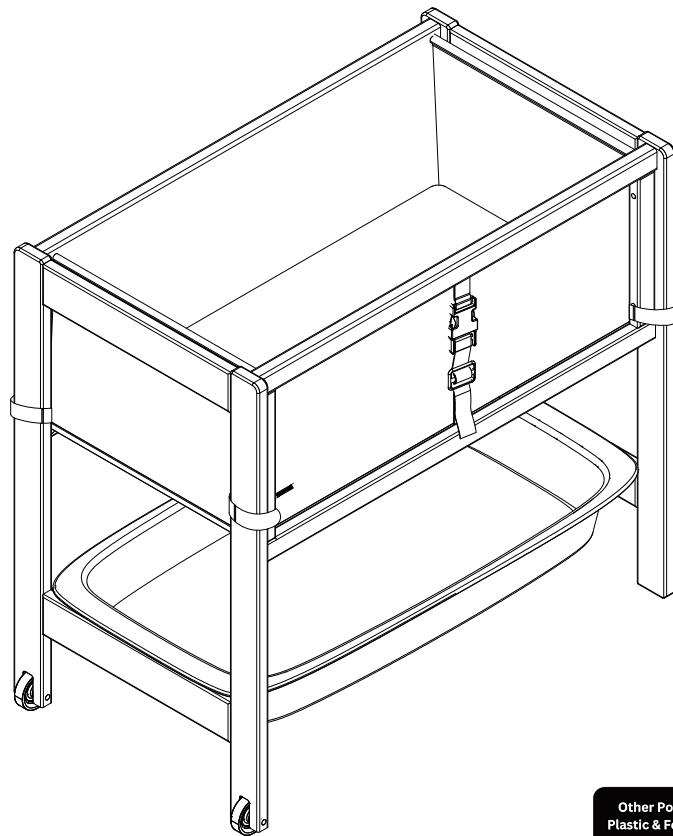
Boori

Tidy



Bassinet Plus

テディバシネット



IMPORTANT:

**PLEASE READ THE INSTRUCTIONS CAREFULLY
AND KEEP FOR FUTURE REFERENCE**

本製品の組立を開始する前に必ずこの取扱書をお読みください。
お読みになったら大切に保管してください。

B-TIBAS

Boori Australia Pty Ltd
 11/4 Southridge Street
 Eastern Creek NSW 2766
 Tel: +61 2 9833 3769
 www.boori.com.au

Boori (Europe) Ltd
 Unit 1 Riverside House,
 Mill Lane, Newbury,
 Berkshire, RG14 5QS UK
 Tel: +44 016 3529 5670
 www.boori.co.uk

ブーリジャパン株式会社
 〒141-0022
 東京都品川区東五反田1-10-9
 STビル8F
 TEL: 03-6420-0024
 EMAIL: info@boori.co.jp
 HP: www.boori.jp

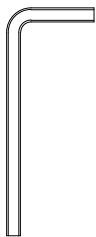
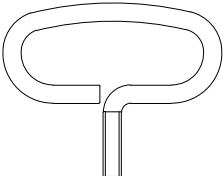
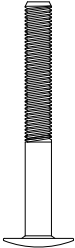
浙江瀚豪实业有限公司
 浙江省嘉兴市南湖区七星街道
 都市经济产业园（东大路西）
 电话：0573-83885718
 网址：www.boori.com
 邮编：314002

Tidy Bassinet Plus (B-TIBAS)

Dimensions (External) : 842×495×800(mm)
 (Internal) : 800×416×795(mm)

Main Materials: Australian Araucaria
 アロカリア

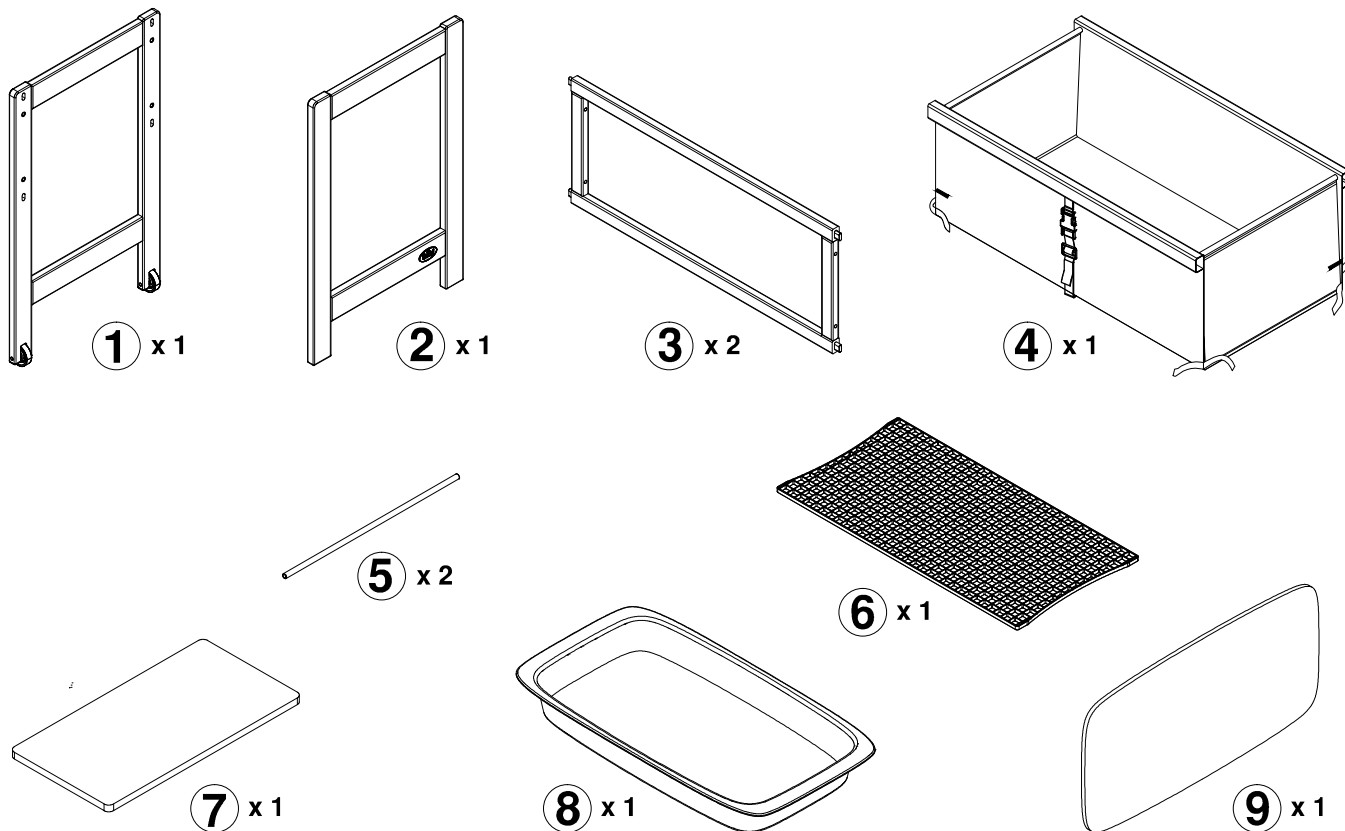
Hardware / 金具

A x 1	B x 1	C x 8	
			
M4×65×25mm	M4×50×43mm	M6×47mm	

Parts List

Note: Use only spare parts approved by the manufacturer.

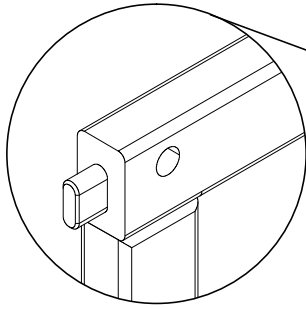
付属以外の金具を使わないでください。



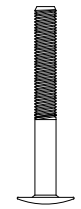
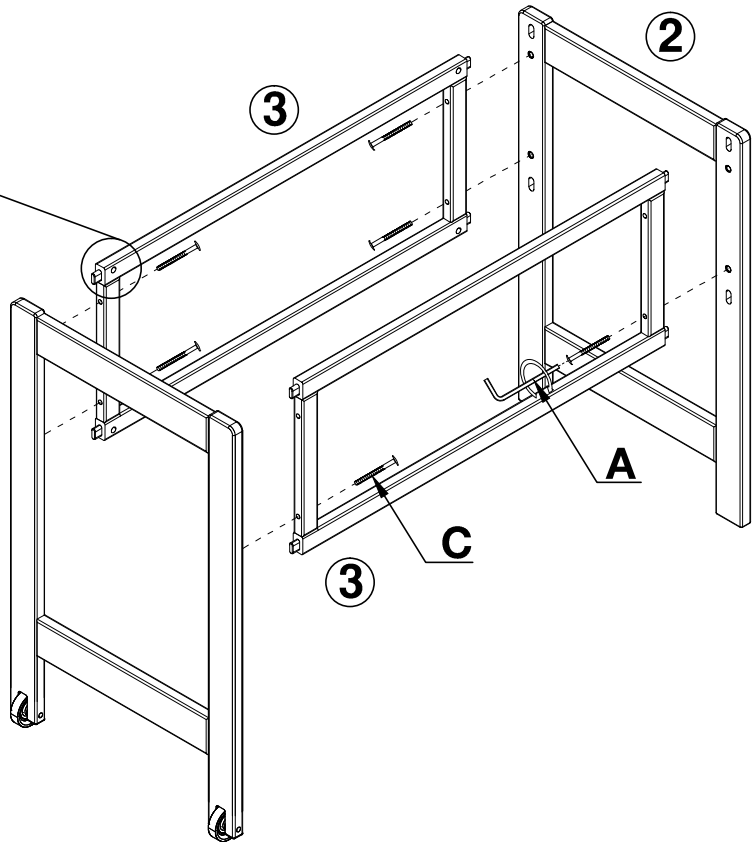
Assembly / 組み立て説明

1

Do not tighten the bolts for now.
仮止めにしてください。



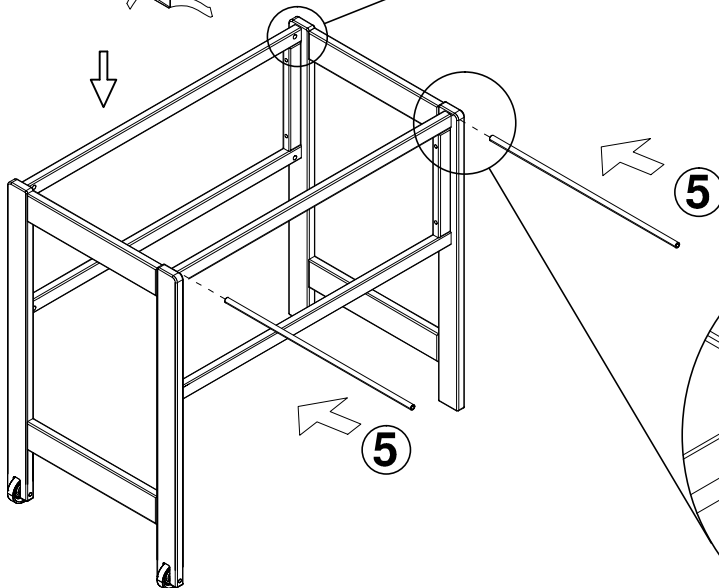
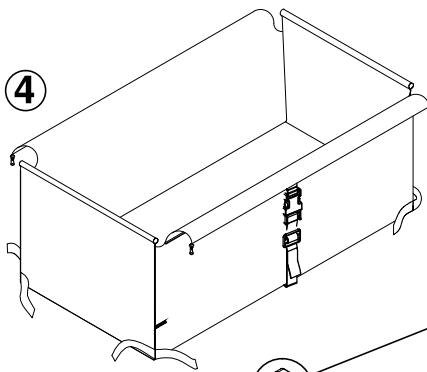
⚠ Ensure this hole faces inwards.
向きに気を付けてください。



Cx6

2

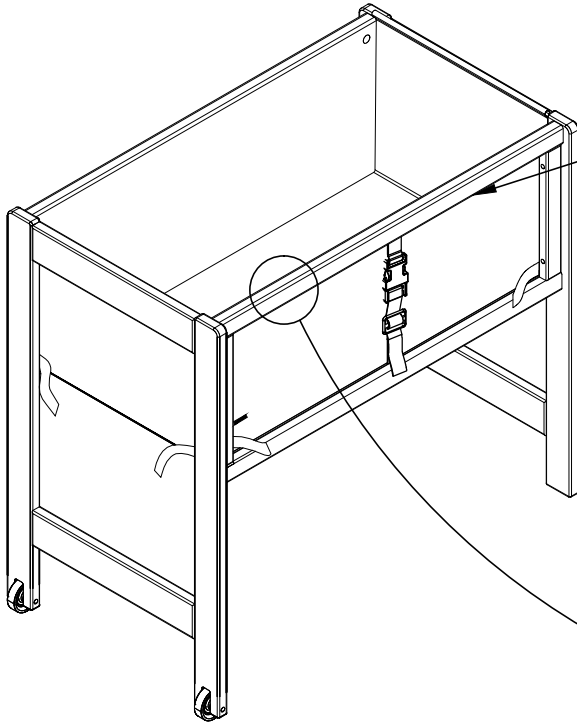
Do not tighten the bolts for now.
仮止めにしてください。



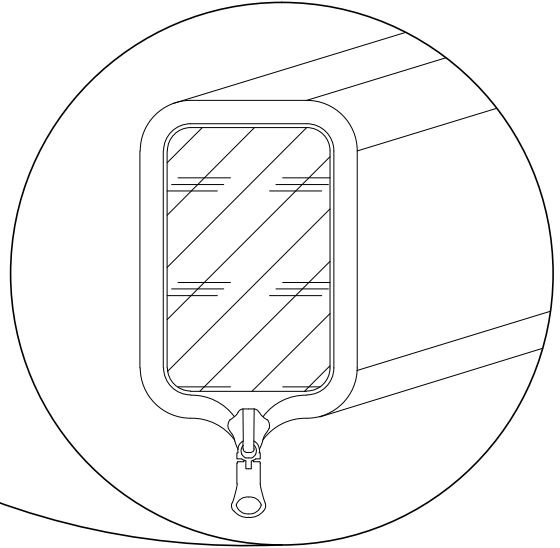
Assembly / 組み立て説明

3

Do not tighten the bolts for now.
仮止めにしてください。

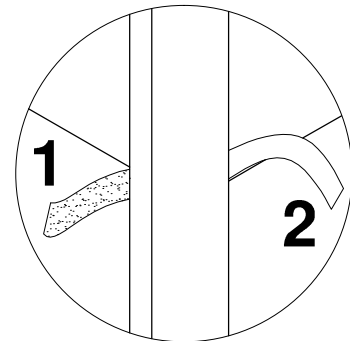
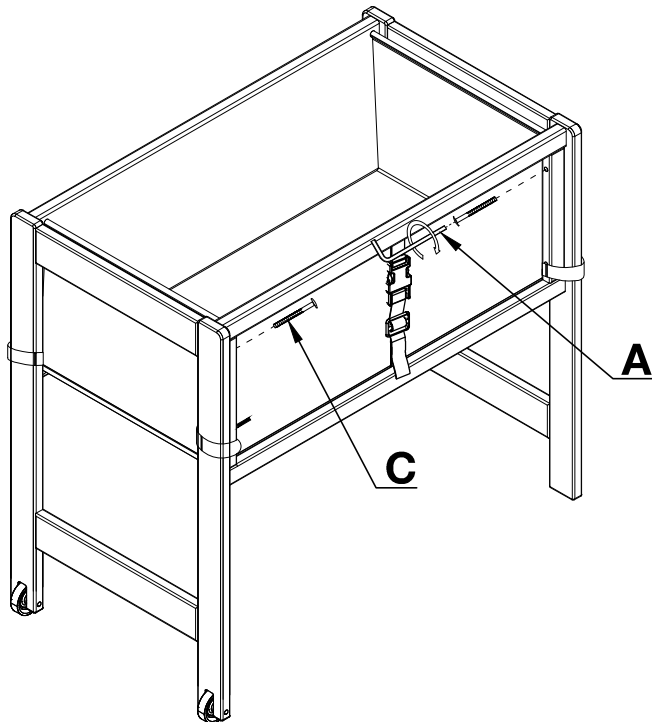


Secure the top of the sleeping net to the top of the frame by wrapping it around and then zipping it up



4

Tighten all the connecting bolts.
本締めにしてください。



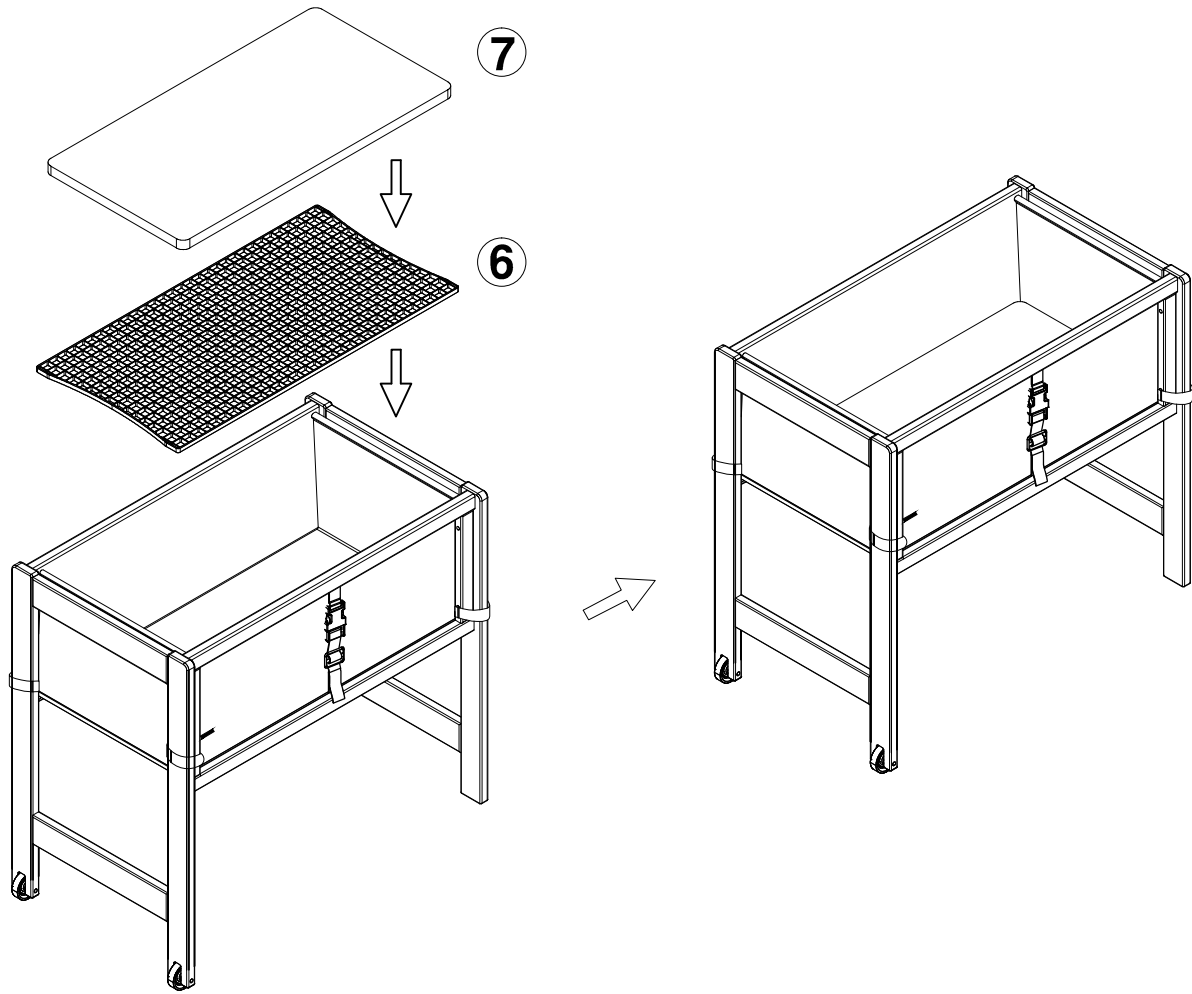
Secure Velcro around each corner leg.



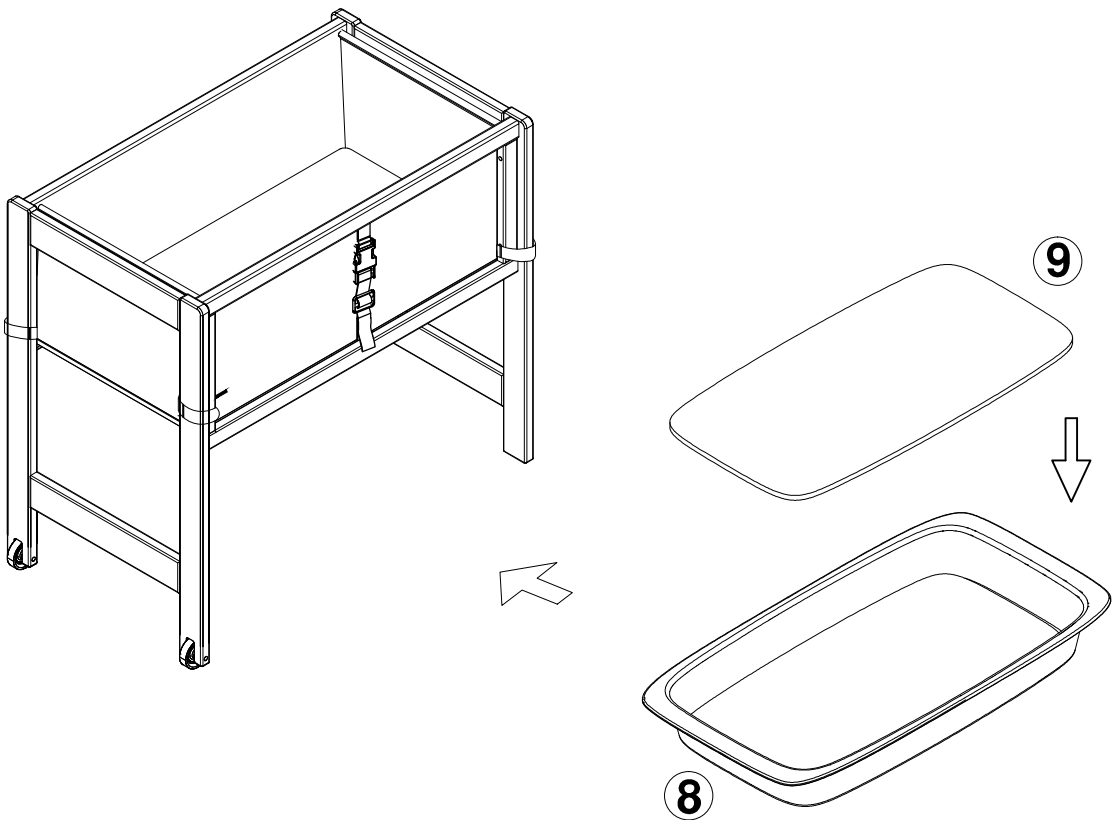
Cx2

Assembly / 組み立て説明

5



6

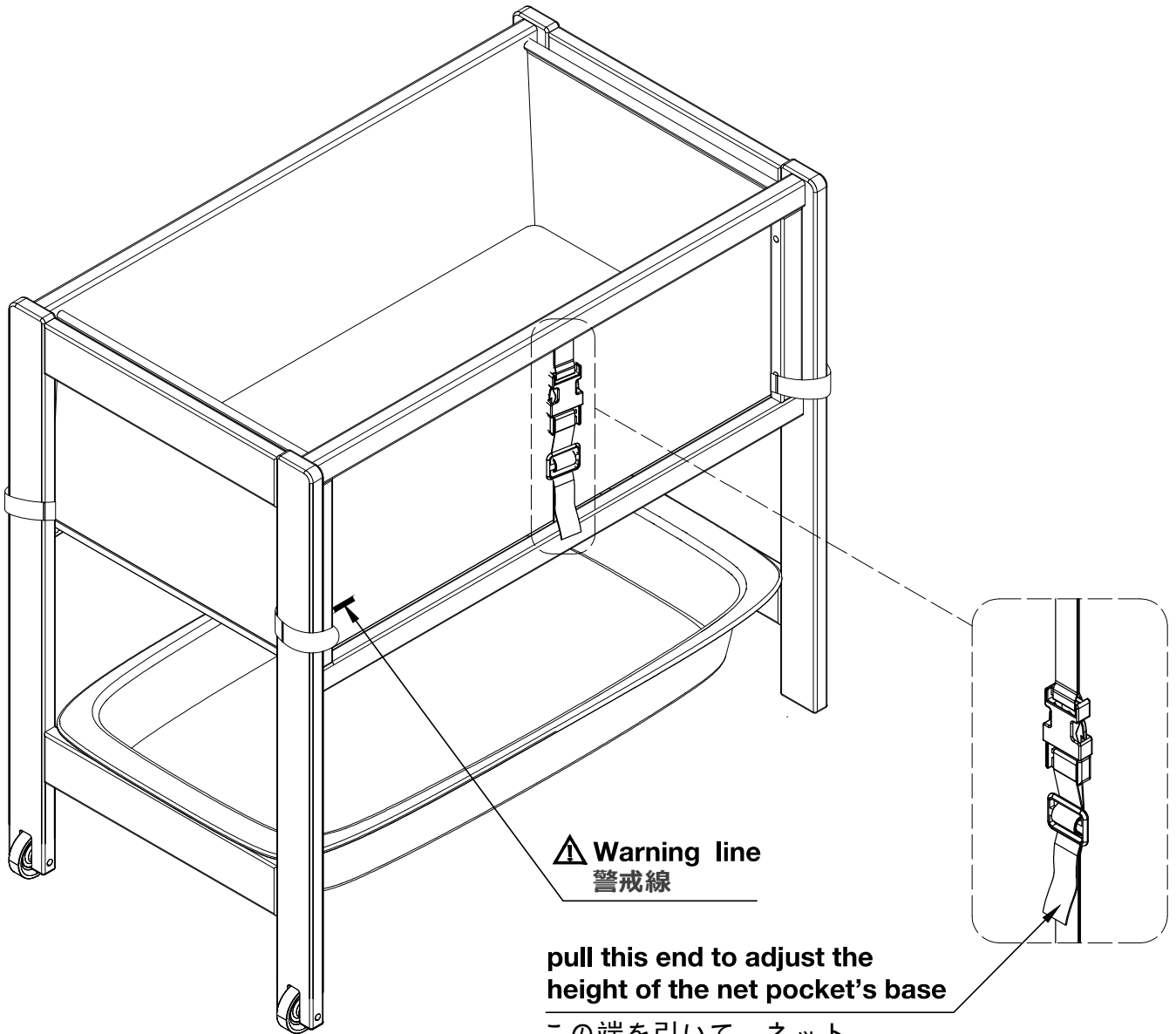


Assembly / 組み立て説明

7

Warning: Please ensure the top of the mattress used in this bassinet is lower than the warning line.

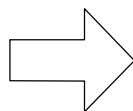
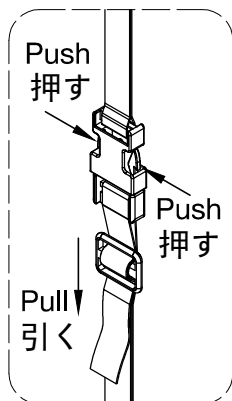
敷きもの（マットレス）の使用は警戒線を越さないように。



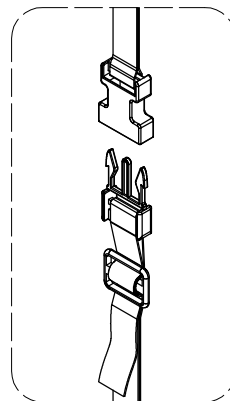
Warning line
警戒線

pull this end to adjust the height of the net pocket's base

この端を引いて、ネットポケットのベースの高さを調整します。

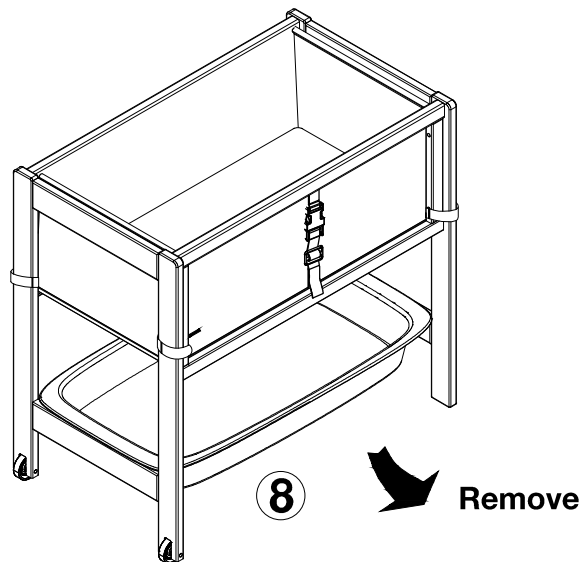


Release
リリース

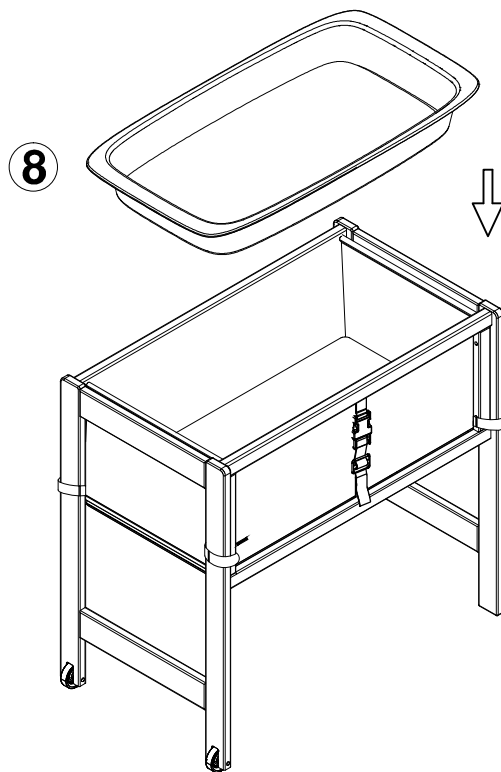


Convert into a change table / おむつ交換台として

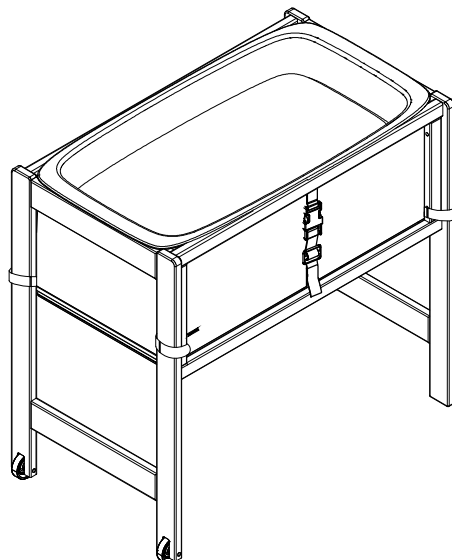
1



2



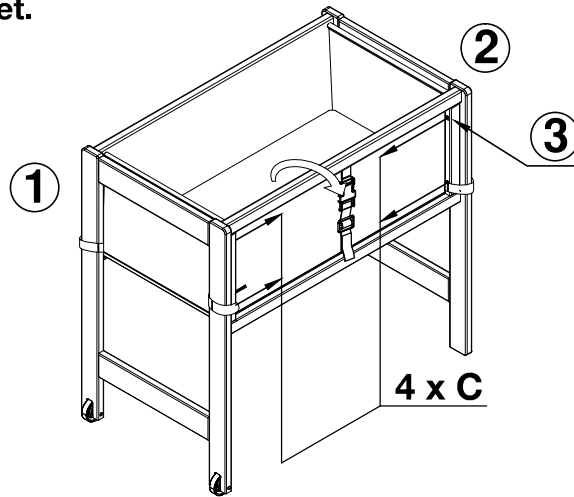
3



Convert into a shelf / 収納として

1

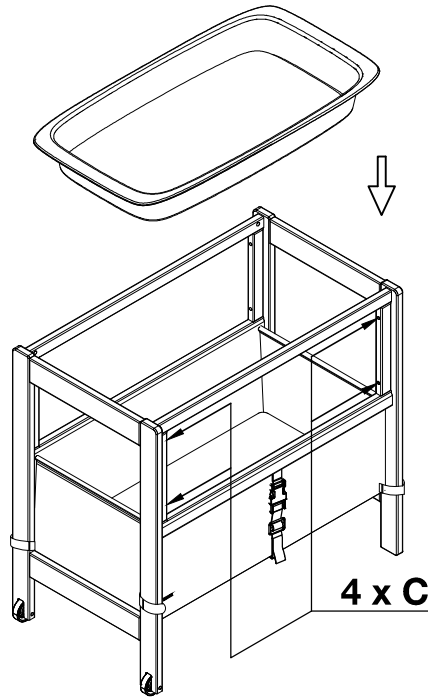
Lower the sleeping net.
ネットを下段に移動。



2

When the sleeping net is not in use, you can lower it to the bottom position to act as a shelf.

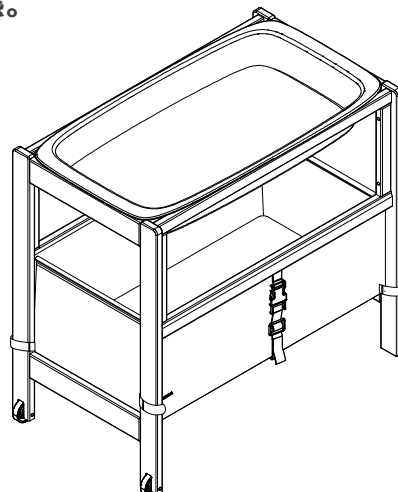
ネットは収納になります。トレイは作業台として使用できます。



3

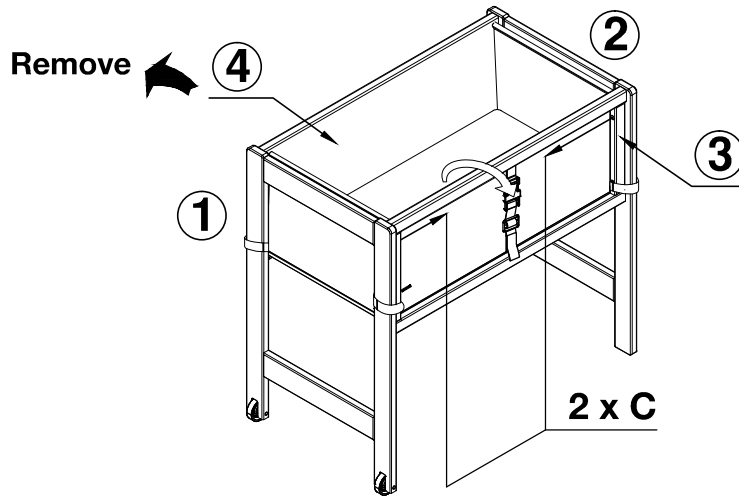
Configuration where the sleeping net is on the bottom.

ネットを下段に収納した状態。



Convert into a shelf / 収納として

1

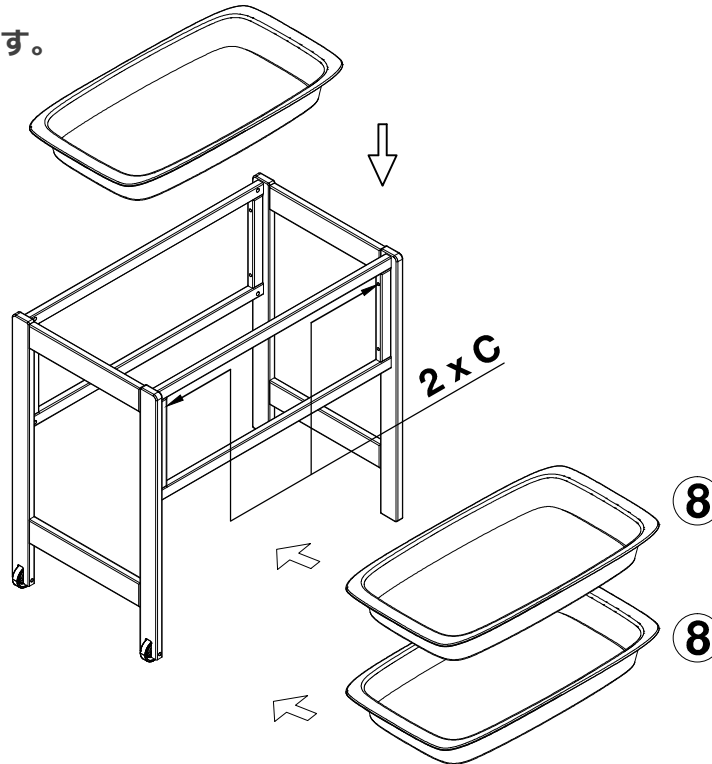


2

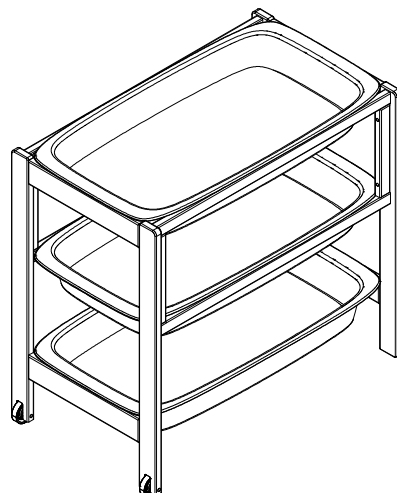
To convert to a shelf, accessory ⑧ must be bought separately.
Follow the instructions below for the conversion.
Please contact your Boori dealer for more information.

⑧は別売りです。

トレイを3枚付けると
収納シェルフになります。



3



Boori Furniture

NOTE: Use only spare parts approved by the manufacturer

FOR THE UK

(BS EN 1130 : 2019)

IMPORTANT RETAIN FOR FUTURE REFERENCE READ CAREFULLY

- WARNING – Do not use this product without reading the instructions for use first;
- WARNING – Stop using the product as soon as the child can sit or kneel or pull itself up;
- WARNING – Placing additional items in the product may cause suffocation;
- WARNING – Do not place the product close to another product, which could present a danger of suffocation or strangulation, e.g. strings, blind/curtain cords, etc.;
- WARNING – Do not use more than one mattress in the product.
- WARNING – Do not use bedside sleeper if any parts are missing, damaged, or broken. Contact (insert manufacturer's name) for replacement parts and instructional literature if needed.
Do not substitute parts.
- WARNING – To avoid hazards from the child's neck being caught on the top rail on the side that is next to the adult bed, the top rail must not be higher than the adult bed mattress.
- WARNING – To avoid the risk of your child being strangled the attachment system to the adult's bed shall always be kept away from and out of the crib.
 - a) Height from the floor of the adult's bed for which the bedside sleeper is suitable;
 - b) The user shall not use other attachment system;
 - c) That bedside sleepers shall never be used in an inclined position;
 - d) To prevent a suffocation hazard from entrapment, the bedside sleeper shall be properly secured to the adult bed using the attachment system;
 - e) There shall never be a gap between the lower side of the bedside sleeper and the mattress of the adult bed;
 - f) Check the tightness of the attachment system before each use by pulling the bedside sleeper in a direction away from adult bed;
 - g) If there is any gap between the bedside sleeper and the adult bed DO NOT use product.
 - h) Gaps should not be filled with pillows, blankets or other items.
 - i) Recommended bassinet pad 410mm wide by 800mm long and a maximum thickness of 25mm."DANGER! – Always completely raise the drop side when not attached to the adult's bed".

FOR AUSTRALIA AND NEW ZEALAND (AS/NZS 4385: 1996)

IMPORTANT RETAIN FOR FUTURE REFERENCE READ CAREFULLY

- (i) the need to follow the manufacturer's assembly instructions in detail to ensure the safety features of the rocking cradle are not compromised;
- (ii) the need to remove any tools or excess parts including plastic packaging from the cradle vicinity after its assembly;
- (iii) the need to discontinue use of the rocking cradle before the infant can sit up by itself;
- (iv) the need for any padding and cushioning materials, including the mattress, to be sufficiently firm to preclude conforming to the contours of the infant's face;
- (v) the need to ensure that the infant is not positioned face down into the mattress;
- (vi) the need to ensure that proper ventilation is maintained in and around the cradle by limiting bed clothes, extra pillows or toys;
- (vii) the need to ensure the rocking cradle is placed at a reasonable distance from curtains, blinds, heaters and power points;
- (viii) the need to keep medication, string, elastic, small toys or small items such as money out of reach from any position in the rocking cradle; and
- (ix) the need to be aware that ribbons or lace associated with bedding may entangle the infant;

FALL HAZARD:

To help prevent falls, do not use this product when the infant begins to push up on hands and knees or has reached weight of 15 kgs, whichever comes first.

SUFFOCATION HAZARD: Infants have suffocated

In gaps between extra padding and side of the bassinet/cradle, and on sofa bedding.

Use Only the pad provided by manufacturer.

NEVER add a pillow, comforter, or another mattress for padding.



Warranty against defects



For Australia only (updated 01/16/2019)

Boori Australia Pty Ltd

26 Peter Brock Drive Eastern Creek Sydney NSW 2766 Australia
PH:(61 2) 9833 3769 FAX:(61 2) 9673 4240
ABN: 43 160 962 354

Boori Care Instructions

Congratulations and thank you for choosing Boori product(s). The furniture you have purchased is constructed from high quality materials for strength and durability. Here are some tips on how you can preserve its beauty for a long time.

1. Do not expose furniture to strong sunlight, direct heat sources, extreme changes in temperature or moisture.
2. Wipe up spills immediately with a soft, clean cloth.
3. Urine spills on furniture can cause discolouration.
4. Clean furniture by wiping the surface with a soft cloth dampened with water.
5. If necessary clean furniture using a mild soap solution and wipe clean with a soft cloth dampened with water and then dry with soft clean cloth.
6. Do not use strong household cleaners.
7. Always wipe in the direction of the grain in the wood do not wipe in a circular motion.
8. Avoid contact with sharp objects, or containers containing hot liquid.
9. Avoid contact with 'rubber feet' on items such as radios, computers, telephones etc. Use a felt mat (not plastic) to protect furniture surfaces.
10. Do not open more than one drawer at a time.
11. When moving furniture do not drag, always lift and place in position.

Boori Warranty (“this Warranty”)

All Boori Collection wood products (“Boori Wood Products”) carry a full three (3) years manufacturer’s warranty (“Warranty Period”) to the end-purchaser (“the Customer”) as testimony to the quality and longevity of the range. This warranty excludes general wear & tear and damage caused, by the Boori Product not being used in accordance with its instructions or the care instructions. During this Warranty Period Boori Australia Pty Ltd (ABN 43 160 962 354) (“Boori”) will replace or repair any defective part. In the event of a Boori Product being replaced, as a whole unit or part thereof during the Warranty Period, the warranty on the replacement will expire three (3) years from the original purchase date.

This guarantee excludes accidental damage, misuse and or improper transporting and handling.

The warranty is void if the original Boori Product has been altered in design or colour in anyway.

All warranty claims must be lodged:

- 1. at the place of original purchase as set out on your receipt for purchase of the Boori Products or you may contact Boori on 9833 3769 to obtain further details;and**
- 2. together with a proof of purchase.**

Where the Customer makes a claim pursuant to this Warranty, all expenses incurred in sending the Boori Products to Boori are the Customer's responsibility.

Boori's liability in respect of a breach of a consumer guarantee or any warranty made under this Warranty for any Boori Products not of a kind ordinarily acquired for personal, domestic or household use is limited, in relation to the Boori Products to the extent permissible by law and at it's option to:

1. replacing the Boori Products or the supply of equivalent Boori Products;
2. the repair of the Boori Products;
3. the payment of the cost of replacing the Boori Products or of acquiring equivalent goods; or
4. the payment of the cost of having the Boori Products repaired.

To the extent permitted by law, all other warranties whether implied or otherwise, not set out in this Warranty are excluded and Boori is not liable in contract, tort (including, without limitation, negligence or breach of statutory duty) or otherwise to compensate the Customer for:

1. any increased costs or expenses;
2. any loss of profit, revenue, business, contracts or anticipated savings;
3. any loss or expense resulting from a claim by a third party; or
4. any special, indirect or consequential loss or damage of any nature whatsoever caused by the Customer's failure in complying with its obligations.

Limitations on Warranty Disclaimers

In the following paragraph, 'Our' means 'Boori', 'You' means 'the Customer' and 'goods' means 'Boori Products':

Our goods come with guarantees that cannot be excluded under the Australian Consumer Law. You are entitled to a replacement or refund for a major failure and for compensation for any other reasonably foreseeable loss or damage. You are also entitled to have the goods repaired or replaced if the goods fail to be of acceptable quality and the failure does not amount to a major failure.

The benefits given to the Customer in this Warranty are in addition to other rights and remedies under a law in relation to the Boori Products to which this warranty applies.



商品の保証とお手入れの方法について

この度はBoori製品をお買い上げいただき、誠にありがとうございます。

当社の製品は品質の高いアロウカリア材を始め、天然の素材をふんだんに使用しています。そのため商品ごとや部品ごとに木目やバラツキがございます。また多くの工員が手作業で組立や塗装工程を経て製造していますので、つなぎ目や仕上げにおいても個性がございます。

これはご使用いただくにあたり、安全面を含めなんら差支えございません。

Booriが主に使用しているアロウカリア材は非常に柔らかい材木です。この素材はお子様が頭をぶつけても衝撃を軽減するために選んでいる材木です。その同時に少しのダメージでも表面に傷がつく場合がございます。非常にデリケートな材木ですので、お取扱いには十分ご注意ください。

お子様が成長されてからも素材の美しさと耐久性をそのまま保ち、継続してご使用いただくために、以下の注意点をお読みいただいたうえで、お手入れを行なってください。

- 1 高温多湿・直射日光はお避けください。また熱くなったものを直接置かないでください。
- 2 家具を拭く際は、清潔で柔らかい布地をご使用ください。
- 3 尿などが家具に付着すると、変色する恐れがあります。
- 4 家具についた水分は、柔らかい布地で拭き取るようにしてください。
- 5 洗剤は刺激の少ない中性洗剤をご使用ください。布地を水で湿らせて、拭いた後は必ず乾いた清潔な布地で水分を拭き取ってください。
- 6 塩素成分の強い洗剤やシンナーなどを絶対に使用しないでください。
- 7 木目に沿って拭いてください。
- 8 鋭利な物、熱湯が入った容器などを家具に直接置くことは避けてください。
- 9 電話機、パソコンなどの電化製品は、布製のマットを敷いてから置くようにしてください。
- 10 引き出しを同時にたくさん開けないでください。（チェストについて）
- 11 家具を移動させる際は、床を引きずらないでください。
また家具は常に安定した場所に設置してください。

全てのBoori製品は、このお手入れの方法に留意し、ご使用いただいた場合にのみ、ご購入いただいたから3年間の品質保証を致します。

保証期間中、製品不備による部品の交換・修理は無料で提供いたします。

ただし、日常利用による損傷、突発的な事故による損傷、天変地異による損傷、移動時の不注意による損傷、お手入れの方法にある注意点、取扱説明書の注意点を守らずご使用いただいた場合などは、たとえ保証期間内であっても無料保証の対象外となります。



商品の保証とお手入れの方法について

この度はブーリベビー家具をお選びいただきまして、誠にありがとうございました。
製品の使用方法、ご質問、不具合などがございましたら恐れ入りますが下記 フリーボイスまでご連絡ください。

保証期間	ベビーベッド・家具本体:3年 / マットレス、家具付属品:1年
お買い上げ日	年 月 日
お客様名	
販売店	



ブーリジャパン株式会社
カスタマーセンター
0120-949-390

(土日祝除く平日10:00~18:00)

■保証規定

- ・保証期間内に、お客様の正常なご使用状態において発生した不具合については無償にて、当該製品の修理または交換をさせていただきます。
- ・保証規定は日本国内のみに適用されます。

ブーリでは天然無垢木で、デザイン豊かなベビーベッドをひとつひとつ自社工場で生産しています。
無垢木は天然素材…色合い、木目、文様は木本来の特性で、使用していくほどに深まりも増してまいります。また、ブーリの無垢木は木の中でも柔らかい素材。それは、予測のできない動きの赤ちゃんが誤ってぶつかった時少しでもその衝撃を和らげられたらというブーリ創業以来の想いです。
このような天然無垢木が持つ自然な風合いと特徴をどうぞ、ご理解くださいますようお願い申し上げます。

ブーリジャパン株式会社

東京オフィス

〒141-0031

東京都品川区西五反田7-22-17TOCビル5F

Tel:03-6420-0024 Fax:03-6420-0025