

LINSY 林氏家居

安装示意图/Assembly Instruction

产品名称 Model NO.	TBC889	排骨架规格 Ranked bed slat specifications (1740*1800)
产品规格 Specification	1800*2000	
尺寸组合 Combined size	1890*2225*1060mm	

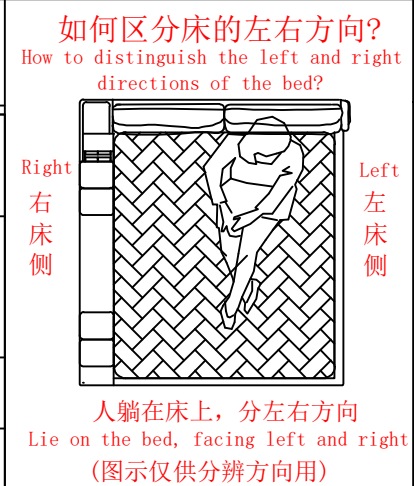


图1: 床头床边连接安装示意图
Figure 1: installation diagram of bedside connection

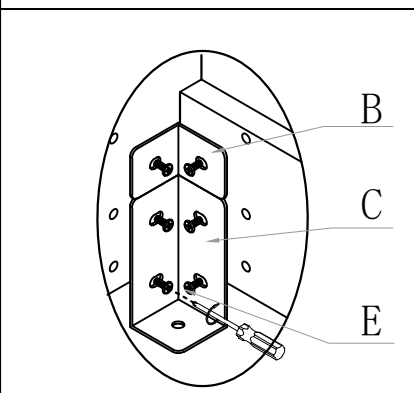


图2: 卡扣组合连接安装示意图
Figure 2: installation diagram of snap combination connection

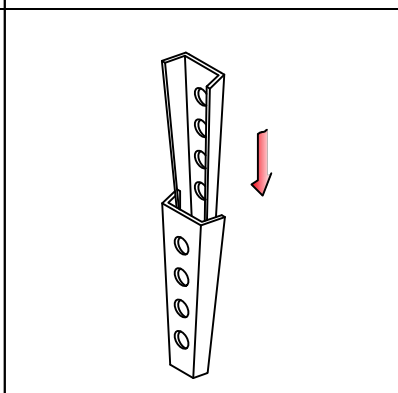


图3: 卡扣安装示意图
Figure 3: schematic diagram of buckle installation

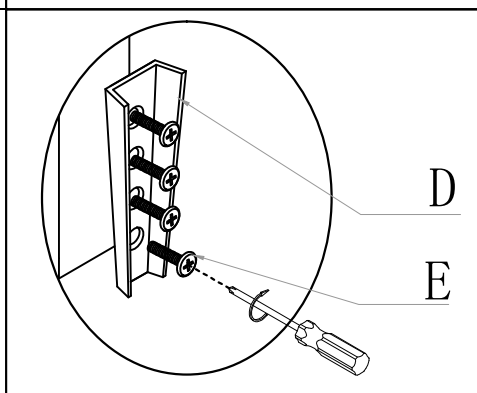
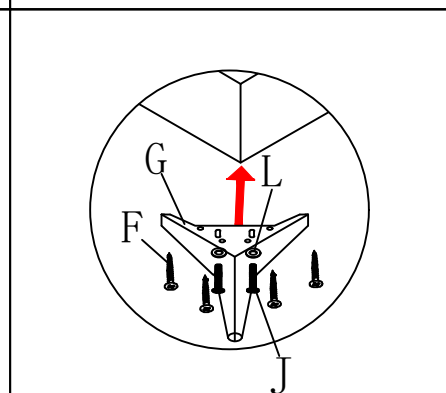


图4: 床脚安装示意图
Figure 4: installation diagram of bed foot



配件表/Accessories list

部件表/Parts List

编号 NO.	名称 Name	图示 Icon	数量 QTY	编号 NO.	名称 Name	规格 Specification	数量 QTY	材质 material
A	说明书(含安装图) Mounting Instruction (with drawing)		1	①	床头 The head of a bed	1890*385*910	1	实木方+实木多层板+海绵+猫爪皮 SOLID WOOD SQUARE + SOLID WOOD MULTI-LAYER BOARD + SPONGE + CAT'S CLAW SKIN
B	Double hole small corner code (双孔小角码)		4	②	床侧*2 Side of the bed*2	1965*175*60	2	实木多层板+海绵+猫爪皮 SOLID WOOD MULTI-LAYER BOARD + SPONGE + CAT'S CLAW LEATHER
C	Right angle code(直角码)		4	③	床尾 The end of the bed	1815*175*60	1	实木多层板+海绵+猫爪皮 SOLID WOOD MULTI-LAYER BOARD + SPONGE + CAT'S CLAW LEATHER
D	(中档卡扣) Intermediate clip		2	④	中档 Bed middle	1930*65*125	1	实木多层板+海绵+魔术布 Solid wood multilayer board + sponge + Magic cloth
E	(M6*25斜边十字螺杆) M6*25 bevel cross bolt		42	⑤	排骨条 Row frame	1740*100*12	14	实木 solid wood
F	(M5*30自攻螺丝) M5*30 self tapping screw		16	⑥	排骨条卡扣 Ribs buckle		2	塑料 Plastic
G	(枪灰色五金脚) Gun gray metal foot		4	排骨架效果图 Ranked bed slat renderings 				
H	(银色床垫挡 L=28CM) SILVER MATTRESS STOP L=28CM		1					
I	(M4*20自攻螺丝) M4*20 self tapping screw		16					
J	(M8*25斜边十字螺杆) M8*25 bevel cross bolt		8					
K	(12.5cm可调节塑料中脚) 12.5cm adjustable plastic middle foot		2					
L	φ8垫片 φ8 gasket		8	排骨架脚 The feet of ranked bed slat				
M	(防撞螺杆) Mattress block		2					

拆装排骨架配套配件
Accessories of disassembled row bed slat

制图 Draw

Page NO. 页码(2-1)

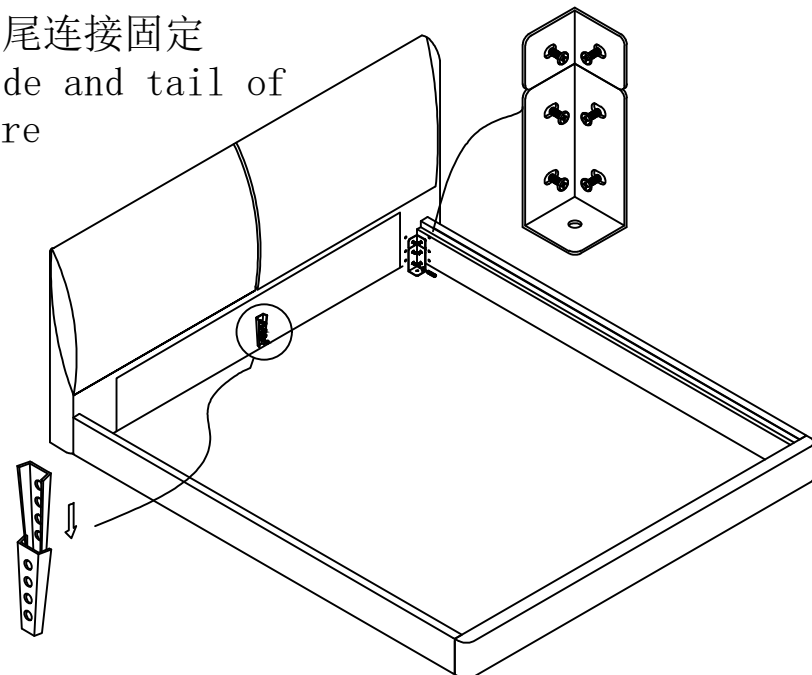
安装工具 Tool

安装人数 Installer

充电式手电钻 或者 十字螺丝刀
Cordless hand drill
Phillips screwdriver

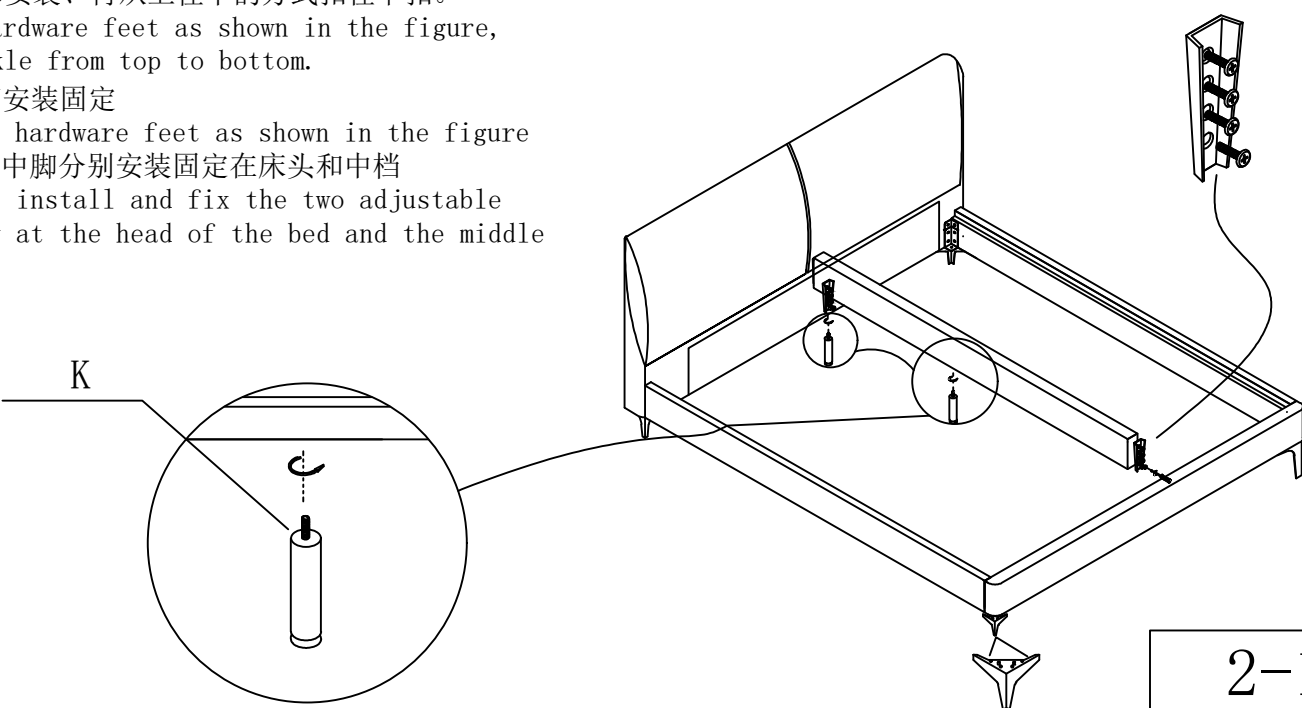
STEP 1:

按图示方式, 将床头、床边、床尾连接固定
Connect and fix the head, side and tail of the bed as shown in the figure



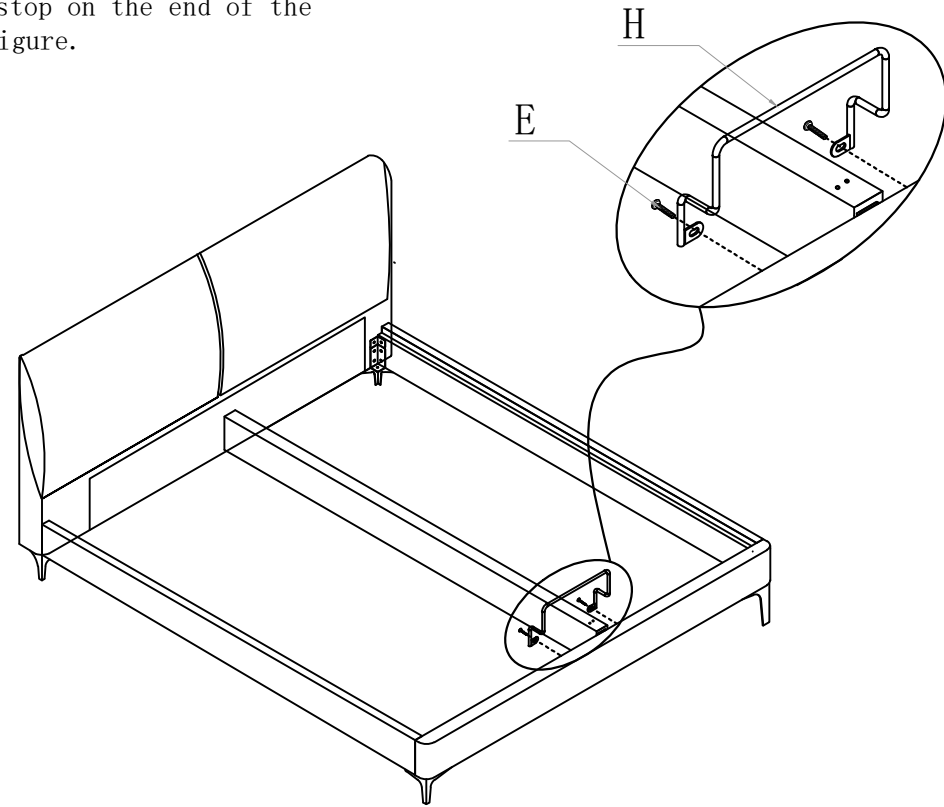
STEP 2:

按图示方式, 将中档五金脚安装、再从上往下的方式扣住卡扣。
Install the mid-range hardware feet as shown in the figure, and then fasten the buckle from top to bottom.
按图示方式, 将四个五金脚安装固定
Install and fix the four hardware feet as shown in the figure
按图示方式, 将两个可调节中脚分别安装固定在床头和中档
According to the figure, install and fix the two adjustable middle feet respectively at the head of the bed and the middle

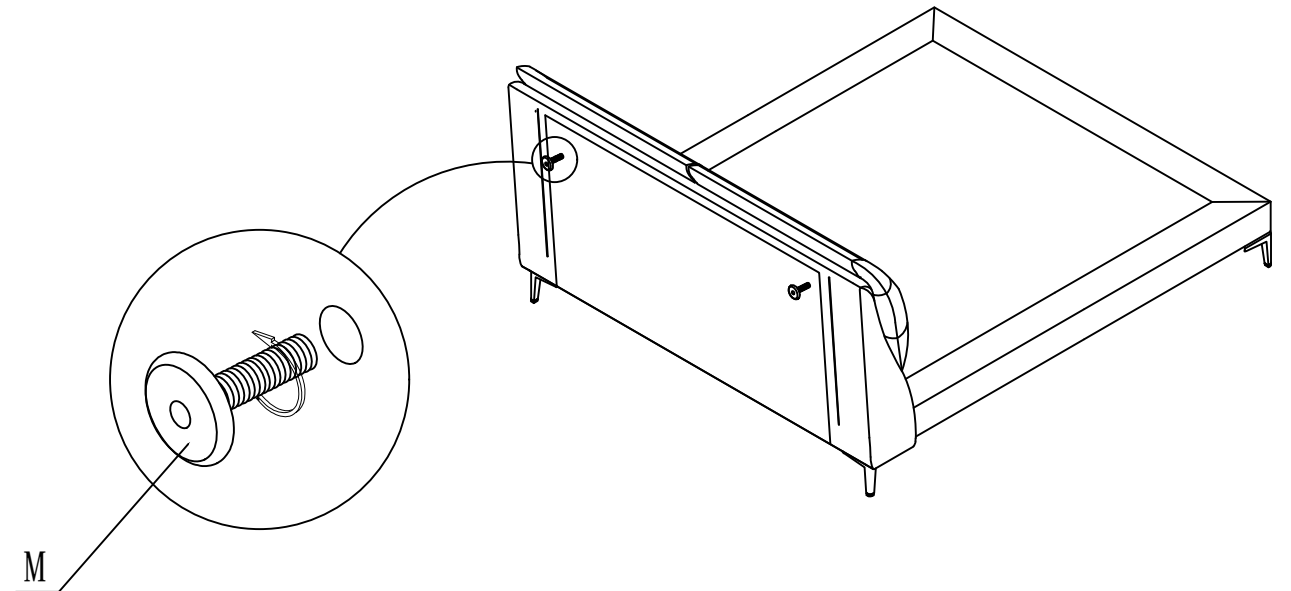


STEP 3:

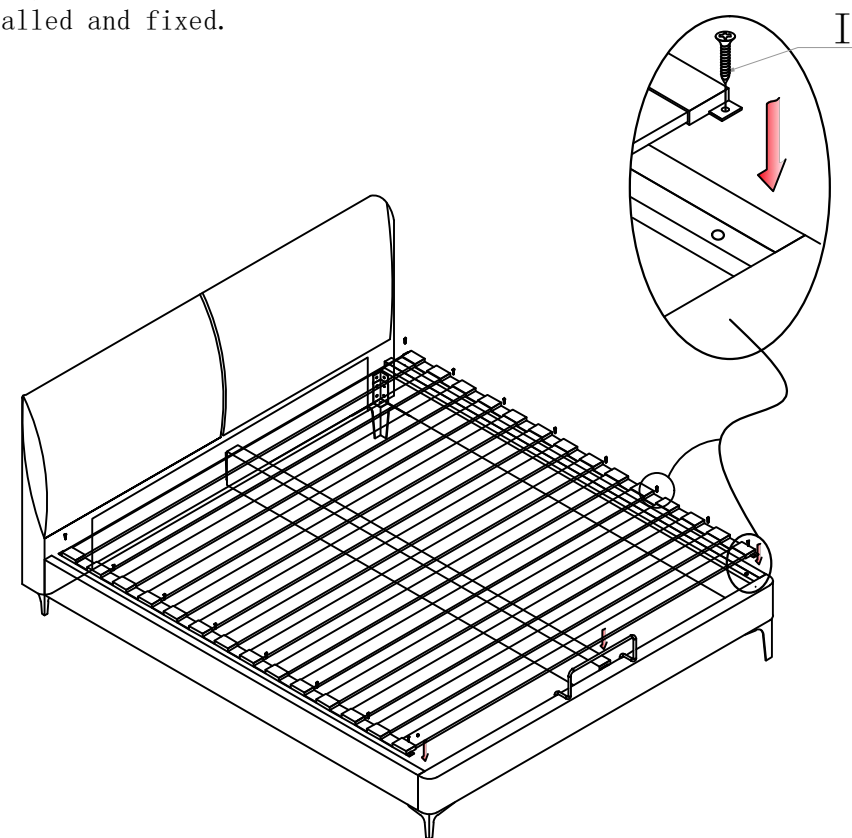
按图示方式，将床垫档安装在床尾上。
Install the mattress stop on the end of the bed as shown in the figure.

**STEP 5:**

按图示方式，将防撞螺杆安装至床头背面。
Install the anti-collision screw to the back of the head of the bed as shown.

**STEP 4:**

按图示方式，将排骨架平铺后、安装固定。
As shown in the figure, the row frame shall be tiled, installed and fixed.

**STEP 6:**