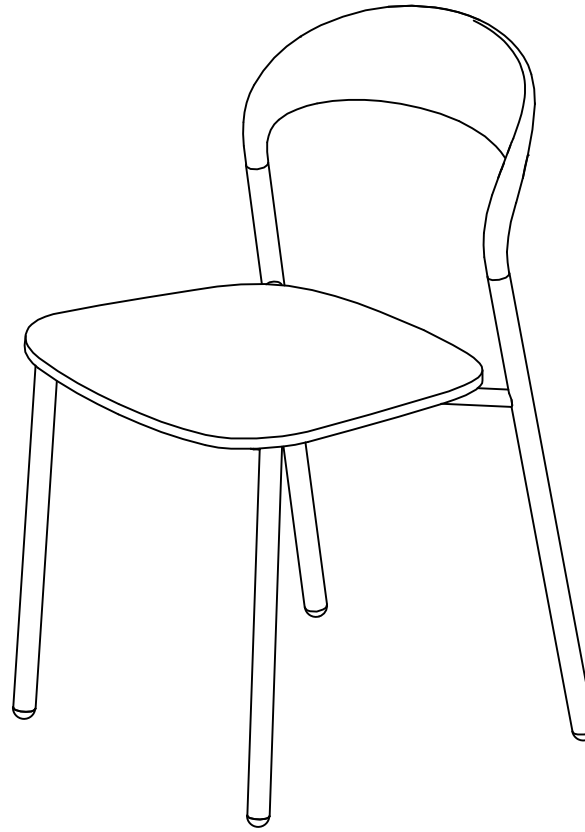
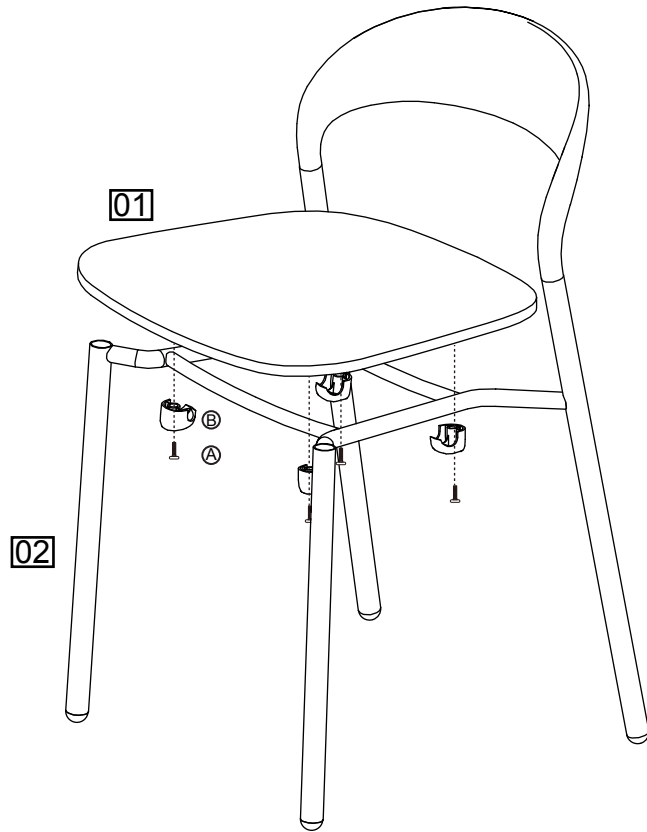




COMPONENT PARTS

FITTINGS

Step1

Step2



- A

×4
 - B

×4
- (M6×30mm)

COMPONENT CHECKLIST

PART	No.	Qty.	
Seat	01	1	<input type="checkbox"/>
Leg	02	1	<input type="checkbox"/>

TOOLS REQUIRED



Allen key (supplied)