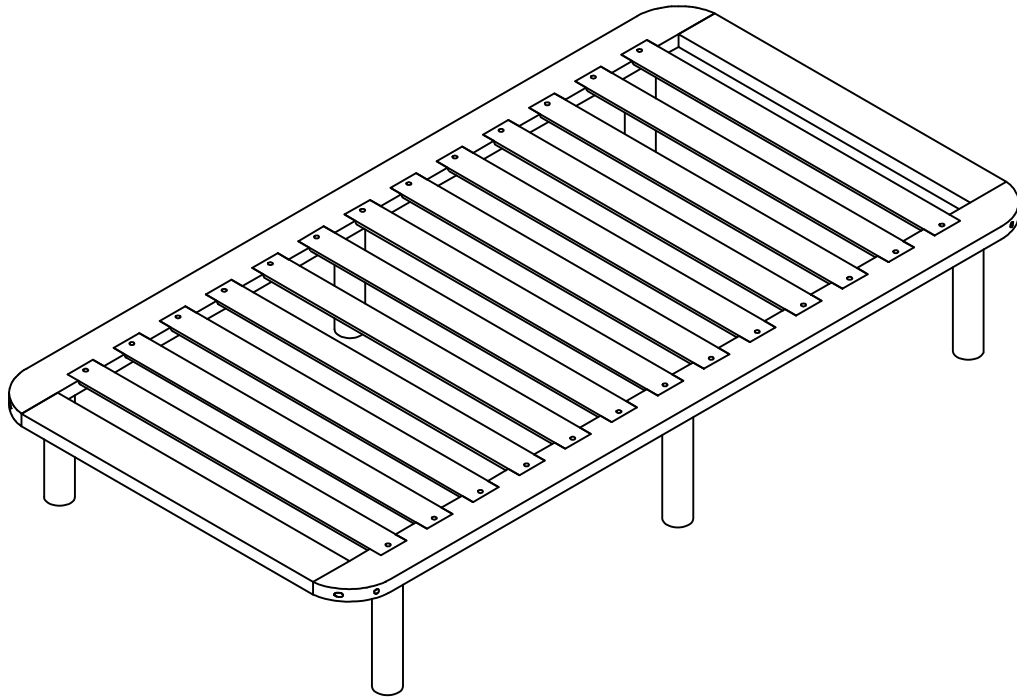
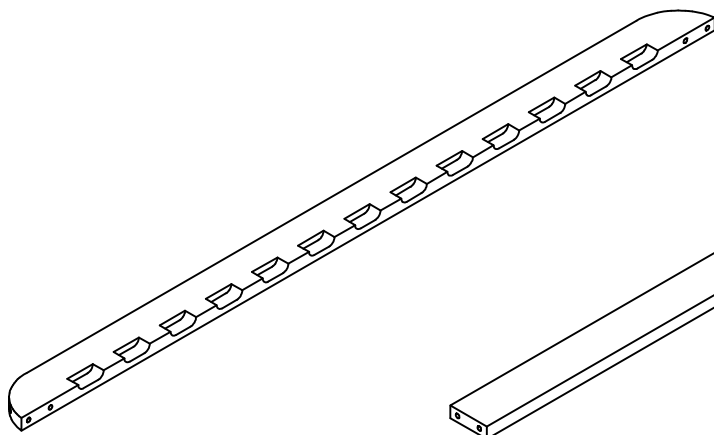


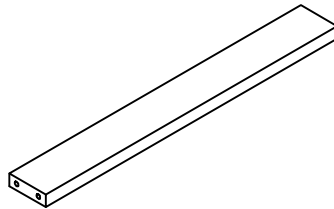
Assembly Instruction



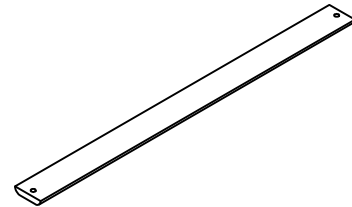
Assembly Parts



① X 2



② X 2

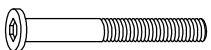


③ X 13



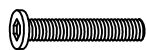
④ X 6

AX4



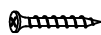
(M8*120)

BX4



(M8*70)

CX26



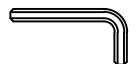
(M4*25)

DX6

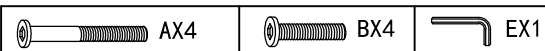
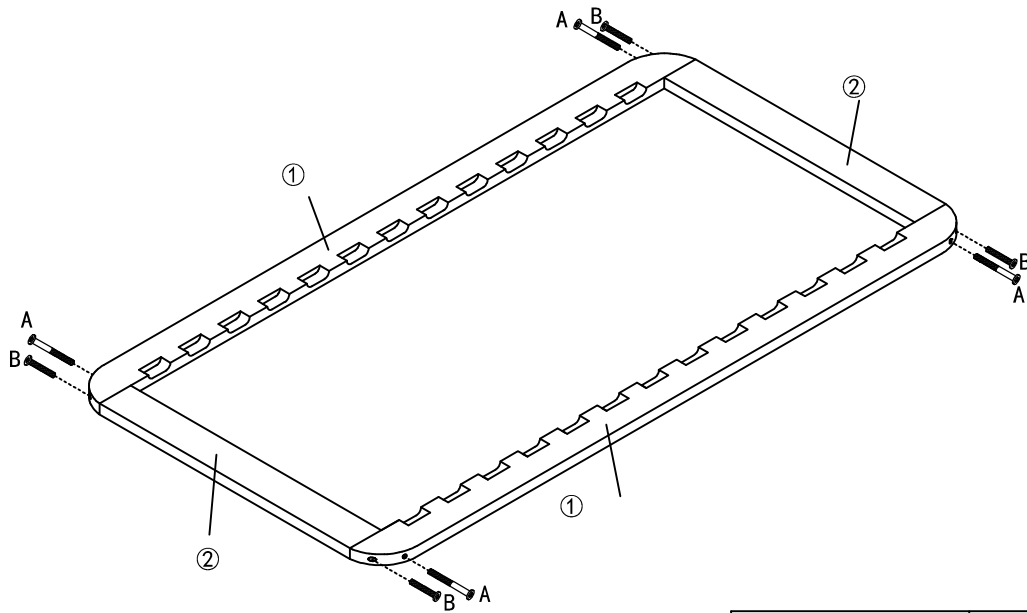


(ϕ 50)

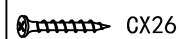
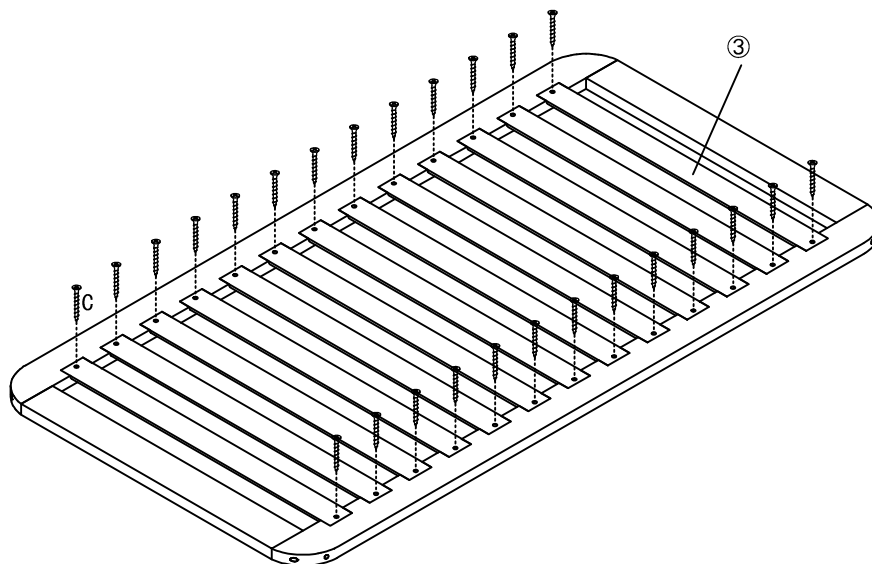
EX1



1



2



3

